



# INSTALLATION AND OPERATION MANUAL

ENGLISH | FRANÇAIS | ESPAÑOL



Zodiac Pool Systems LLC  
2882 Whiptail Loop # 100 Carlsbad, CA 92010

Zodiac Pool Systems Canada, Inc.  
2-3365 Mainway, Burlington, ON L7M 1A6 Canada

Controls bacteria and algae in swimming pool water

For Residential Pools

DOMESTIC

REGISTRATION NO. 32473 PEST CONTROL PRODUCTS ACT

### WARNING

Operating Jandy TruClear™ models without water flow through the cell can cause a buildup of flammable gases which can result in FIRE OR EXPLOSION. READ THE LABEL AND OPERATION MANUAL BEFORE USING. KEEP OUT OF REACH OF CHILDREN.

## Jandy TruClear™ Chlorine Generating System

### WARNING

**FOR YOUR SAFETY** - This product must be installed and serviced by a contractor who is licensed and qualified in pool equipment by the jurisdiction in which the product will be installed where such state/provincial or local requirements exist. The maintainer must be a professional with sufficient experience in pool equipment installation and maintenance so that all of the instructions in this manual can be followed exactly. Before installing this product, read and follow all warning notices and instructions that accompany this product. Failure to follow warning notices and instructions may result in property damage, personal injury, or death. Improper installation and/or operation will void the warranty.

Improper installation and/or operation can create unwanted electrical hazard which can cause serious injury, property damage, or death.



**ATTENTION INSTALLER** - This manual contains important information about the installation, operation and safe use of this product. This information should be given to the owner/operator of this equipment.

**Maximum Overcurrent Protection – 15A****Use Copper Conductors Only****Disconnect Power before Opening Service Cover****For Outdoor or Indoor Use****Electrical Requirements: 120/240 VAC 50/60 Hz****3 WIRE, 4/2 AMP****Maximum Output of Hypochlorous Acid is Equivalent to 442 g  
of Free Available Chlorine Per Day****3000 parts per million of salt****The maximum volume of water that can be treated with  
one unit of TruClear is 132,000 liters (35,000 gallons) (132.0 m<sup>3</sup>)****For swimming pools, a range of 1-3 ppm of free available  
chlorine must be maintained.****Controls bacteria and algae in swimming pool water****Do not use this device with bromide products****Intertek****ETL LISTED  
CONFORMS TO  
UL STD 1081****Certified to  
CAN/CSA C22.2  
No. 218.1****Certified to  
NSF/ANSI Standard 50**

---

## Notice to User

This pest control product is to be used only in accordance with the directions on the label. It is an offense under the Pest Control Products Act to use this product in a way that is inconsistent with the directions on the label. The user assumes the risk to persons or property that arises from any such use of this product.

# Table of Contents

<b>Section 1. Important Safety Instructions .....</b>	<b>4</b>	<b>Section 5. Operating Instructions .....</b>	<b>21</b>
1.1 Safety Instructions .....	4	5.1 Turning Power Pack On/Off (Manually) .....	21
<b>Section 2. General Description .....</b>	<b>8</b>	5.2 Select Language .....	21
2.1 Product Specifications .....	8	5.3 Turning Power Pack On/Off (Using the Pump's External Timer) .....	21
2.2 Product Contents .....	9	5.4 Chlorine Output Level .....	21
<b>Section 3. Installation Instructions .....</b>	<b>10</b>	5.5 BOOST/LOW Mode .....	23
3.1 Materials and Tools .....	10	5.6 Polarity Reversal .....	23
3.2 Installation Requirements .....	10	<b>Section 6. Maintenance .....</b>	<b>24</b>
3.3 Installing the Power Pack .....	11	6.1 Weekly .....	24
3.4 Installing the Cell .....	12	6.2 Monthly .....	24
3.5 Wiring the Power Pack to the Power Source ...	13	6.3 Cleaning the Cell .....	24
3.6 Install RS485 for Jandy Automation .....	14	6.4 Winterizing .....	25
3.7 When Using In Non-automation Installations And With Jandy Variable Speed Pump .....	16	<b>Section 7. Troubleshooting .....</b>	<b>26</b>
3.8 Bonding .....	16	7.1 Problems and Corrective Action .....	26
3.9 Split Return Plumbing Instructions: For Infloor Cleaning Systems .....	16	<b>Section 8. Display Readings .....</b>	<b>29</b>
<b>Section 4. Pool Water Preparation .....</b>	<b>17</b>	8.1 Display Reasons and Descriptions .....	29
4.1 Determining Pool Size (Litres) .....	17		
4.2 Determining Pool Size (Gallons) .....	17		
4.3 Chemistry You Need to Know .....	17		
4.4 Optimum Pool Water Conditions .....	18		
4.5 Collecting a Water Sample .....	19		
4.6 Salt (NaCl Sodium Chloride) .....	19		

## Section 1. Important Safety Instructions

### READ AND FOLLOW ALL INSTRUCTIONS

#### 1.1 Safety Instructions

This device can only be used in swimming pools and swimming pools with a built-in spa. It cannot be used in stand-alone spas. All electrical work must be performed by a licensed electrician and conform to all national, state (provincial), and local codes. When installing and using this electrical equipment, basic safety precautions should always be followed, including the following:

#### WARNING

**EQUIPMENT UNDER PRESSURE:** Always turn pump off prior to installing or servicing the power pack or cell. Your pump/filter system is operated under pressure and the pressure must be released before you begin work. Please see your pump/filter owner's manual for further instructions.

#### WARNING

To reduce the risk of electric shock, fire or injury, service should only be attempted by a qualified pool service professional.

#### WARNING

Jandy chlorine generating devices are designed for domestic (residential) swimming pool use only. Contrary use could affect performance, void warranty, and may result in property damage, serious injury, or death.

- Operating a chlorine generator without water flowing through the cell may cause a build up of flammable gases, resulting in fire or explosion.
- Keep equipment out of reach of children.
- A damaged supply cord should only be replaced by the manufacturer, service agent or electrician.
- When installing and using this electrical equipment, always follow basic safety precautions.
- Before performing installation, disconnect all power.
- Connect to a circuit that is protected by a ground-fault circuit interrupter (GFCI)
- Do not install within an outer enclosure or beneath the skirt of a hot tub or spa.
- Do not use this device with bromide products

#### WARNING

Installation must be done in accordance with the National Electrical Code® (“NEC®” or NFPA-70®) in the US, the Canadian Electrical Code (“CEC” or C22.1) in Canada, and/or any other local and national installation codes.

**RISK OF ELECTRIC SHOCK, FIRE, PERSONAL INJURY, OR DEATH.** Connect only to a branch circuit that is protected by a ground-fault circuit interrupter (GFCI). Contact a qualified electrician if you cannot verify that the circuit is protected by a GFCI. Make sure such a GFCI should be provided by the installer and should be tested on a routine basis. To test the GFCI, push the test button. The GFCI should interrupt power. Push the reset button. Power should be restored. If the GFCI fails to operate in this manner, the GFCI is defective. If the GFCI interrupts power to the device without the test button being pushed, a ground current is flowing, indicating the possibility of electrical shock. Do not use the device. Disconnect the device and have the problem corrected by a qualified service representative before using.

A green/yellow grounding wire is provided inside the power pack. To reduce risk of electric shock, connect the ground wire to the grounding wire that is supplying power to the unit.

#### WARNING

The power pack must be interlocked/interconnected with the pool pump motor power source to ensure that the chlorinator only operates when the pool pump is operating. The flow sensor feature of the Jandy TruClear is intended to be used as a backup only and should not be used as the sole source of flow detection.



**⚠ WARNING**

- The power pack must be installed at least 2 feet (0.6 m) vertically off the ground. Ensure the power pack is protected from direct water exposure from sprinklers, water runoff from rooftops and drainage.
- In the US, the power pack must be installed at least 1.5 m (5 ft.) from the inside wall of your swimming pool or spa; in Canada, the power pack must be installed at least 3 m (10 ft.) from the inside wall of your swimming pool or spa.
- In Canada, the Jandy chlorine generating electrolytic cell must be installed outdoors.
- The cell must be installed horizontally with the cord facing upwards to avoid buildup of flammable gases which can result in FIRE OR EXPLOSION.
- The cell must be installed as the last piece of equipment in the circulation plumbing system just before the pool.

**⚠ WARNING**

This appliance is not intended for use by persons (including children) with reduced physical, sensory or mental capabilities, or lack of experience and knowledge, unless they have been given supervision or instruction concerning use of the appliance by a person responsible for their safety.

**⚠ WARNING**

To reduce the risk of injury, do not remove the suction fittings of your spa or hot tub. Never operate a spa or hot tub if the suction fittings are broken or missing. Never replace a suction fitting with one rated less than the flow rate marked on the equipment assembly.

**⚠ WARNING**

**PREVENT CHILD DROWNING:** Do not let anyone, especially small children, sit, step, lean or climb on any equipment installed as part of your pool's operational system. Locate the components of your operational system at least 1 m (3 ft.) from the pool so children cannot use the equipment while in the pool and be injured or drown.

**⚠ WARNING**

Prolonged immersion in hot water may induce hyperthermia. Hyperthermia occurs when the internal temperature of the body reaches a level several degrees above the normal body temperature of 37 °C (98.6 °F). The symptoms of hyperthermia include dizziness, fainting, drowsiness, lethargy, and an increase in the internal temperature of the body. The effects of hyperthermia include:

- Unawareness of impending danger
- Failure to perceive heat
- Failure to recognize the need to exit spa
- Physical inability to exit spa
- Fetal damage in pregnant women
- Unconsciousness resulting in a danger of drowning

**⚠ WARNING****To Reduce the Risk of Injury -**

- The water in a spa should never exceed 40°C (104°F). Water temperatures between 38°C (100°F) and 40°C (104°F) are considered safe for a healthy adult. Lower water temperatures are recommended for young children and when spa use exceeds 10 minutes.
- Since excessive water temperatures have a high potential for causing fetal damage during the early months of pregnancy, pregnant or possibly pregnant women should limit spa water temperatures to 38°C (100°F).
- Before entering a spa or hot tub, the user should measure the water temperature with an accurate thermometer since the tolerance of water temperature-regulating devices varies.
- The use of alcohol, drugs, or medication before or during spa or hot tub use may lead to unconsciousness with the possibility of drowning.
- Obese persons and persons with a history of heart disease, low or high blood pressure, circulatory system problems, or diabetes should consult a physician before using a spa.
- Persons using medication should consult a physician before using a spa or hot tub since some medication may induce drowsiness while other medication may affect heart rate, blood pressure, and circulation.

**⚠ WARNING**

- People with infectious diseases should not use a spa or hot tub.
- To avoid injury, exercise care when entering or exiting the spa or hot tub.
- Do not use drugs or alcohol before or during the use of a spa or hot tub to avoid unconsciousness and possible drowning.
- Pregnant or possibly pregnant women should consult a physician before using a spa or hot tub.
- Water temperature in excess of 38°C (100°F) may be injurious to your health.
- Before entering a spa or hot tub measure the water temperature with an accurate thermometer.
- Do not use a spa or hot tub immediately following strenuous exercise.
- Prolonged immersion in a spa or hot tub may be injurious to your health.
- Do not permit any electric appliance (such as a light, telephone, radio, or television) within 1.5 m (5 ft.) of a spa or hot tub.
- The use of alcohol, drugs or medication can greatly increase the risk of fatal hyperthermia in hot tubs and spas.

**⚠ CAUTION**

This device is intended for use with permanent swimming pools and may also be used with hot tubs and spas if so marked. Do not use with storable pools or stand-alone spas. A permanently-installed pool is constructed in or on the ground or in a building such that it cannot be readily disassembled for storage. A storable pool is constructed so that it is capable of being readily disassembled for storage and reassembled to its original integrity.

**⚠ CAUTION**

It is important to note that certain materials used in and around swimming pools and spas may not be compatible with chemicals commonly used to purify pool and spa water (e.g. acids, chlorine, salt, stabilizers, etc.).

Zodiac Pool Systems LLC does not warrant or guarantee that the chlorinated water generated by the Jandy chlorine generating device will not damage or destroy certain types of plants, decking, coping and other materials in and around your pool and/or spa. Before selecting materials to be used in and around your pool and/or spa, please discuss all options with your contractor to assess the compatibility of such materials and chemicals.

When mixing acid or other chemicals with water, **ALWAYS ADD THE ACID OR CHEMICALS TO WATER. NEVER ADD WATER TO THE ACID OR CHEMICALS.**

Some helpful considerations may include:

- Choosing plants that can withstand splash out of pool water containing chlorine and/or salt and other water purification chemicals.
- All metal components used in and around a pool should be of a high grade, quality stainless steel.
- Careful selection of masonry products. The porosity and hardness of natural stones varies greatly. Therefore we recommend you consult with your builder or stone contractor on the best choice for stone materials around your pool or spa.
- Sealing all masonry products. Professionals in the stone industry specify that even natural stone, especially when used outdoors, be sealed to prevent weathering, staining, and premature degradation. Consult with your stone or deck contractor for the proper sealer for the masonry products you have selected to use around your pool or spa.
- For the optimal results, sealers should be reapplied on a regular basis. Reapply the protective sealer on a schedule per the manufacturer's instructions.
- Use of chemicals other than those recommended may be hazardous. Follow the chemical manufacturers instructions.

 **WARNING**

To minimize risk of severe injury or death, filter, pump, and/or chlorinator should not be subjected to the piping system pressurization test.

Local codes may require the pool piping system to be subjected to a pressure test. These requirements are generally not intended to apply to the pool equipment, such as filters, pumps, or chlorinators.

Jandy pool equipment is pressure tested at the factory.

If, however, the WARNING cannot be followed and pressure testing of the piping system must include the filter, pump, and/or chlorinator, **BE SURE TO COMPLY WITH THE FOLLOWING SAFETY INSTRUCTIONS:**

- Remove cell and install Pressurizing, Installation and Winterizing Cap (P/N: R0621900) before testing.
- Check all clamps, bolts, lids, lock rings, and system accessories to ensure they are properly installed and secured before testing.
- RELEASE ALL AIR in the system before testing. AIR PRESSURE must NOT be used for pressure testing.
- Water pressure for test must NOT EXCEED 35 PSI.
- Water temperature for test must NOT EXCEED 100°F (38°C)
- Limit test to 24 hours. After test, visually check system to be sure it is ready for operation.

Notice: These parameters apply to Jandy equipment only. For non-Jandy equipment, consult the equipment manufacturer.

**SAVE THESE INSTRUCTIONS**

## Section 2. General Description

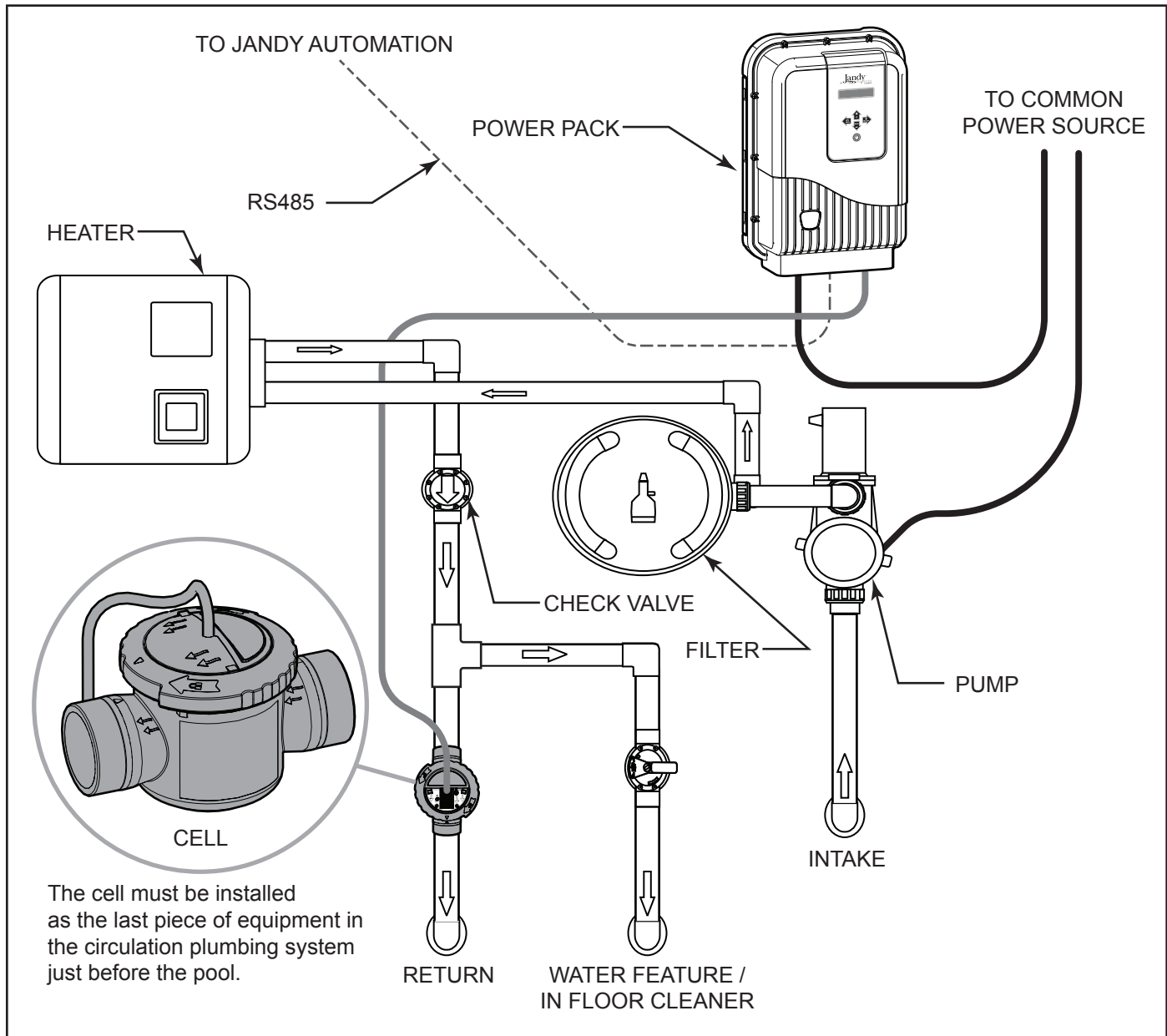


Figure 1. Example of Installation

### 2.1 Product Specifications

Maximum Operating Pressure: 50 psi	Input Freq: 50/60 Hz
Minimum Flow Rate: 76 lpm (20 gpm)	Output Voltage: 25V DC (max)
Required Salt Level: 3.0 gpl (3,000 ppm)	Dimensions: Power Pack (L x W x H): 25.4 cm x 11.4 cm x 33 cm (10 in. x 4.5 in. x 13 in.) Electrolytic Cell (L x W x H): 16.5 cm x 14 cm x 30.5 cm (6.5 in. x 5.5 in. x 12 in.)
Maximum water volume treated: 132,000 L (35,000 gal.)	
Chlorine Output: 18.4 g/hr	
Input Voltages: 120/240 VAC	<b>Weight:</b> Power Pack: 3.2 kg. (7 lbs) Electrolytic Cell: 0.9 kg (2 lbs)
Input Current @ 240 VAC: ~2 A	
Input Current @ 120 VAC: ~4 A	

## 2.2 Product Contents

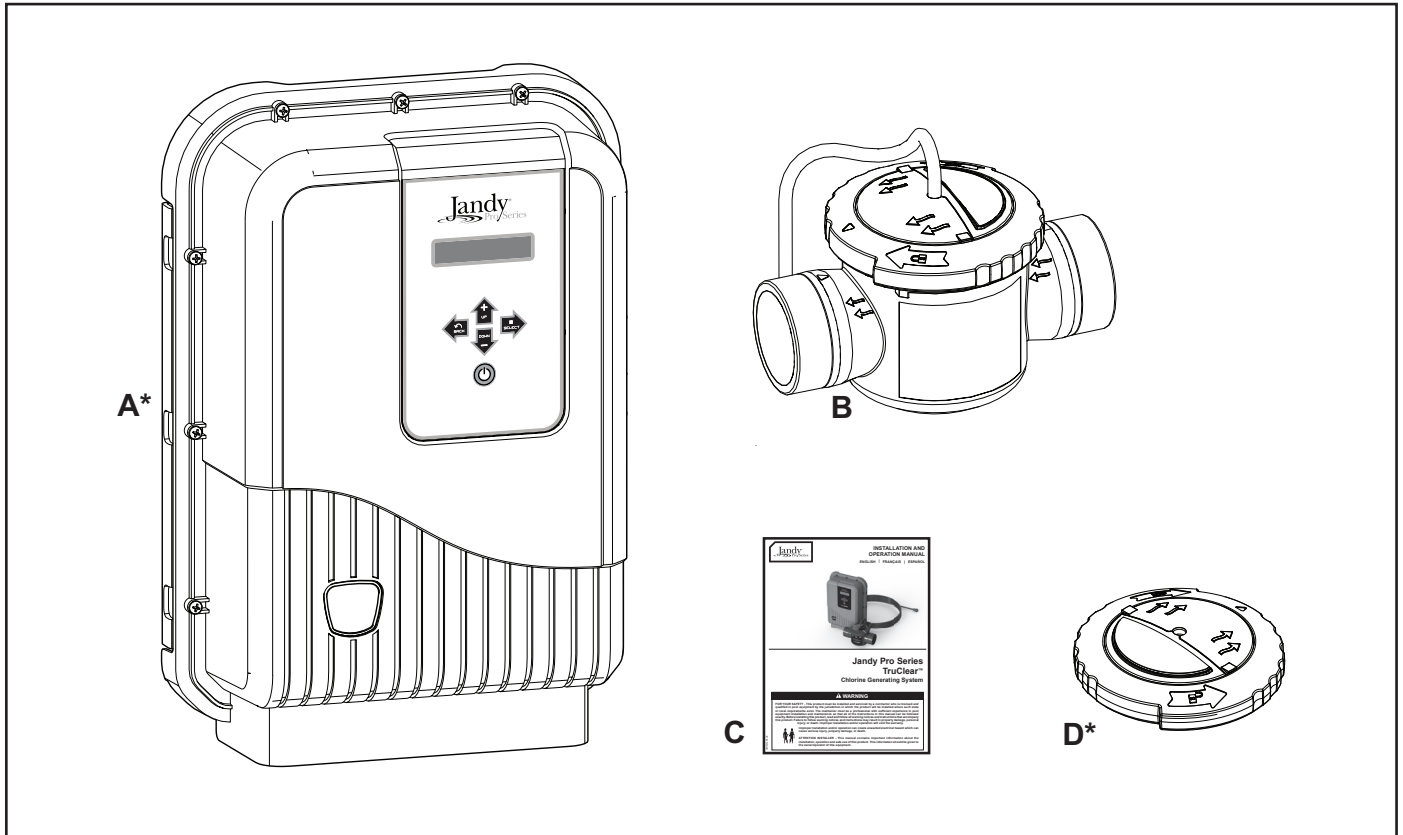


Figure 2. Carton Contents

### Items Included

ITEM	DESCRIPTION	QTY
A	Power Pack	1
B	Cell (Item shown is the standard cell. A version with unions is an available option)	1
C	Installation and Operation Manual	1

### \* Items Sold Separately as Replacement Parts

ITEM	DESCRIPTION	Part #	
D	Pressurizing, Installation and Winterizing Cap	R0621900	TRUCLEAR CELL
not shown	TruClear Cell, Replacement (no Housing)	R0693900	
not shown	TruClear Housing, Replacement (no Cell)	R0694000	
not shown	TruClear O-Ring, Replacement	R0694100	
not shown	O-Ring Tail Piece	R0449200	
A	Power Pack	R0802200	POWER PACK
not shown	TruClear11P Power Pack Cover, Replacement	R0663800	
not shown	TruClear PCB, Replacement Assembly	R0802300	
not shown	TruClear Cover Screw Set	R0609400	
not shown	TruClear Transformer Assembly	R0802400	

## Section 3. Installation Instructions

### ⚠ WARNING

**FOR YOUR SAFETY:** This product must be installed and serviced by a professional pool/spa service technician as described on the front cover of this manual. The procedures in this manual must be followed exactly. Failure to follow warning notices and instructions may result in property damage, serious injury, or death. Improper installation and/or operation will void the warranty.

### ⚠ WARNING

**EQUIPMENT UNDER PRESSURE:** Always turn pump off prior to installing or servicing the Jandy chlorine generating device. Your pump/filter system is operated under pressure and the pressure must be released before you begin work. Please see your pump/filter owner's manual for further instructions.

Disconnect power to the system at the main circuit breaker before performing this procedure to avoid risk of electric shock which can result in property damage, severe injury or death.

Before you begin your installation, please check that you have the right tools and a suitable location to install the power pack and cell. Please ensure that you have read and understood the Important Safety Instructions section.

### 3.1 Materials and Tools

#### Tools and Materials Needed for Installation

- Screw Set (Plastic Anchors)
- Cordless Drill (or Power Drill)
- 6 mm (15/64 in.) Masonry Bit or Hammer Drill Bit (only necessary to drill into brick or concrete)
- Pencil or Marking Pen
- Phillips Head Screwdriver or Phillips Head Drill Bit
- WELD-ON® 724™ CPVC Gray Cement is recommended

### 3.2 Installation Requirements

#### ⚠ WARNING

The cell must be installed horizontally with the cord facing upwards to avoid buildup of flammable gases which can result in FIRE OR EXPLOSION. In Canada, the Jandy chlorine generating electrolytic cell must be installed outdoors.

The installation requirements for the Jandy chlorine generating device are as follows:

- Install the power pack at least 2 feet (0.6 m) above the ground in order to protect it from pressurized water spray such as that from irrigation sprinklers, and from mechanical impacts and/or damage. Also ensure that it is inaccessible to children. Consult and comply with any and all applicable local and national installation codes and/or regulations, as may be enforced by the local Authorities Having Jurisdiction (AHJ's) or competent authority in Canada.

- In the U.S., the power pack must be installed at least 1.5 m (5 ft.) from the inside wall of your swimming pool or spa; in Canada, the power pack must be installed at least 3 m (10 ft.) from the inside wall of your swimming pool or spa.
- The cell must be installed on a 0.4 m (16 in.) horizontal length of pipe after the heaters, pumps, and filters, as the last piece of equipment in the circulation plumbing system. (see Figure 3).
- The cell must be installed no more than 4.6 m (15 ft.) from the power pack (see Figure 3).
- It is recommended that the cell be installed 25 cm (10 in.) from any 90° elbow.



Figure 3. Installation Requirements

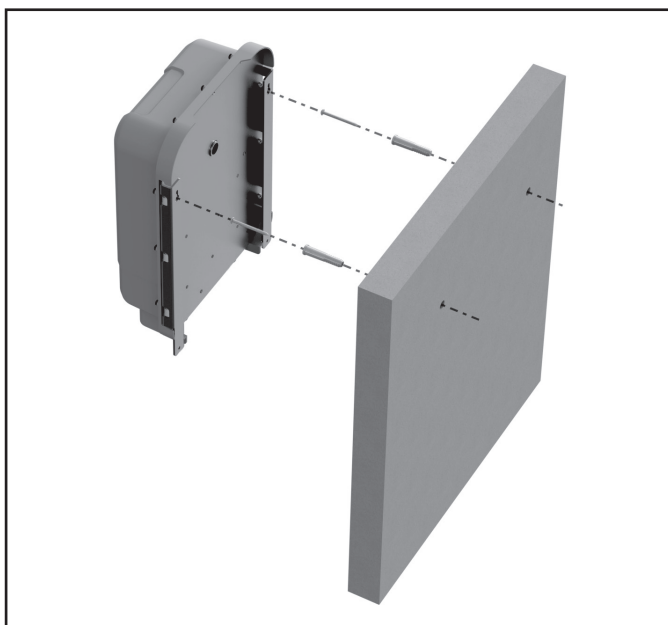


### 3.3 Installing the Power Pack

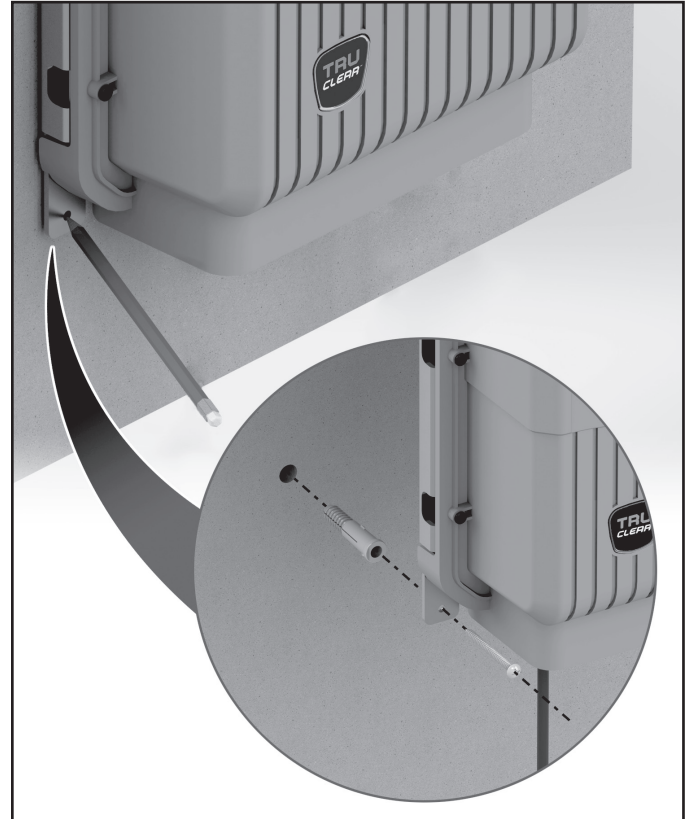
1. Ensure placement of the cell and the power pack will meet all the installation requirements outlined in Section 3.2.
2. Determine the desired location on the wall to mount the Power Pack.
3. Mark and drill the top two holes in the wall, using the template on the Quick Start Guide. The distance from the center of the two holes is 10". Use a level and the template to locate the exact position of the holes.



4. Drive the screws into the holes and hang the Power Pack from the top two holes of the backplate.



5. With the Power Pack in place, mark the position of the bottom two holes.



6. Remove the Power Pack, drill the bottom two holes and place the screw anchors in position.
7. Mount the Power Pack by hanging it from the top two screws already in place, then drive in the two bottom screws to complete the installation.

#### **⚠ WARNING**

To avoid property damage, serious injury or death, do not operate the electrolytic cell without water circulation or if cell housing is damaged or improperly assembled. A buildup of flammable gases which can result in FIRE OR EXPLOSION. The power pack must be interconnected with the pool pump motor power source to ensure that the chlorinator only operates when the pool pump is running. The flow sensor feature of the Jandy TruClear is intended to be used as a backup only and should not be used as the sole source of flow detection.



### 3.4 Installing the Cell

#### ⚠ WARNING

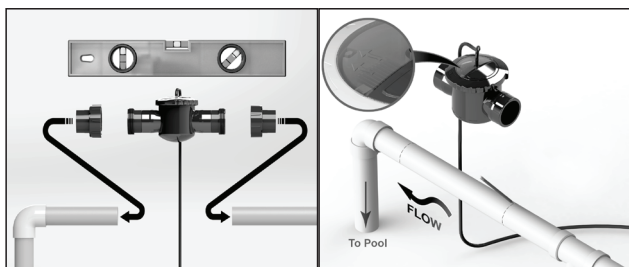
The cell must be installed horizontally with the cord facing upwards to avoid buildup of flammable gases which can result in FIRE OR EXPLOSION. In Canada, the Jandy chlorine generating electrolytic cell must be installed outdoors.

#### Standard Installation

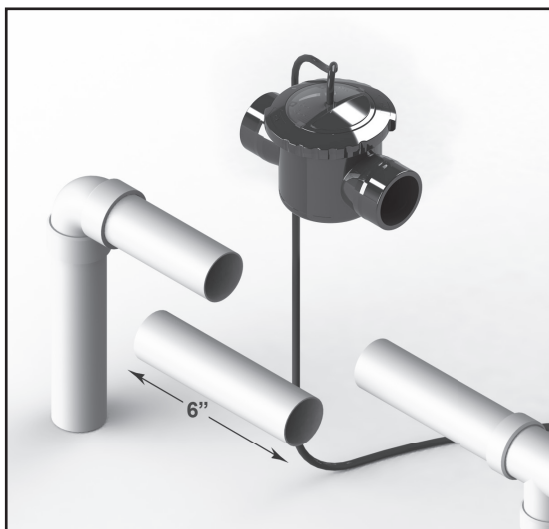
The standard installation consists of plumbing the housing unit of the TruClear directly into the pool plumbing system, without the use of threaded unions.

1. Determine the desired location for the cell as the last piece of equipment before the return inlet to the pool, on a pipe segment at least 16 inches long. The cell must be mounted upright on pipe which runs within  $\pm 5^\circ$  of level (parallel to the ground). The cell cannot be mounted on a vertical, or sloping pipe.

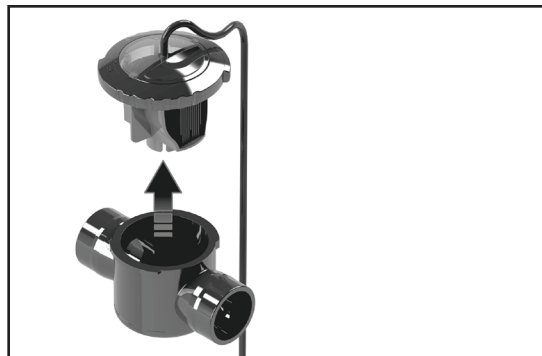
**NOTE** The cell must be installed on a 16 Inch (40cm) horizontal length of pipe after the heaters, pumps, and filters, as the last piece of equipment in the circulation plumbing system before the pool inlet (see Figure 1).



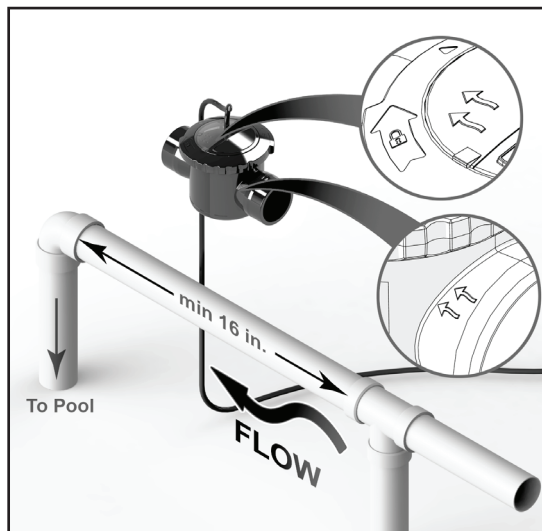
2. Make the appropriate cuts in the pipe where you will be installing the cell. The gap between the cuts should be 6 inches.



3. Remove the cell from the housing and plumb the housing into the pipe, making sure that the flow indicator arrows on the housing match the flow direction of the water. Pipes must be clean and dry before gluing.



**NOTE** If the flow direction of the water does not match the arrows on the housing, the cell will malfunction.



4. Let the system dry per instructions provided by the glue manufacturer.
5. When the glue is dry, install the cell into the cell housing. Secure the cell by engaging the lock ring and ensure that the flow indication arrows on the transparent lid correspond to the arrows on the cell housing.
6. Start the system and check for proper water flow.

#### ⚠ WARNING

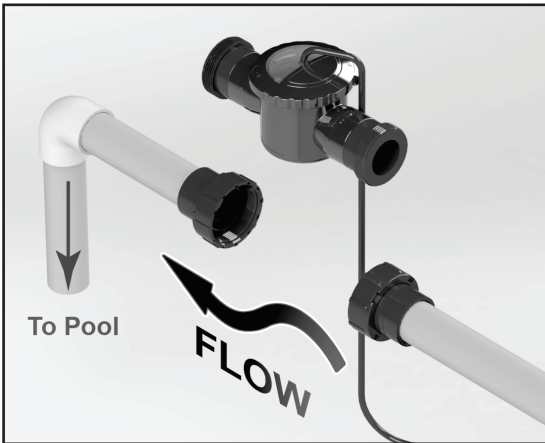
To avoid property damage, serious injury or death, do not operate the electrolytic cell without water circulation or if cell housing is damaged or improperly assembled.

#### Retrofitted Installation

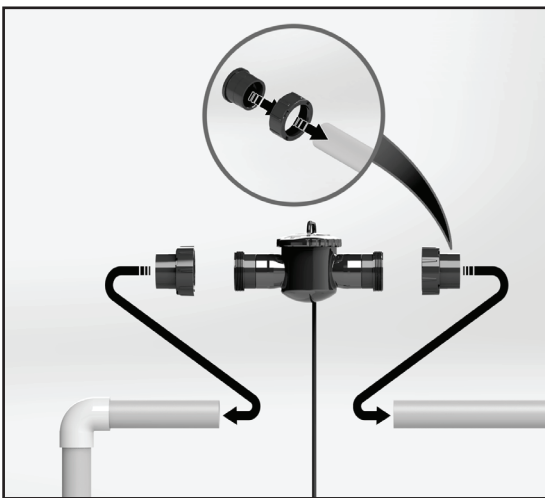
The retrofitted installation is a factory designed TruClear with threaded unions built into the housing unit. This method can be used to replace an existing chlorine generator or as a new installation.

1. Determine the desired location for the cell as the last piece of equipment before the return inlet to the pool, on a pipe segment at least 16 inches long. The cell must be mounted upright on pipe which runs within  $\pm 5^\circ$  of level (parallel to the ground). The cell cannot be mounted on a vertical, or sloping pipe.

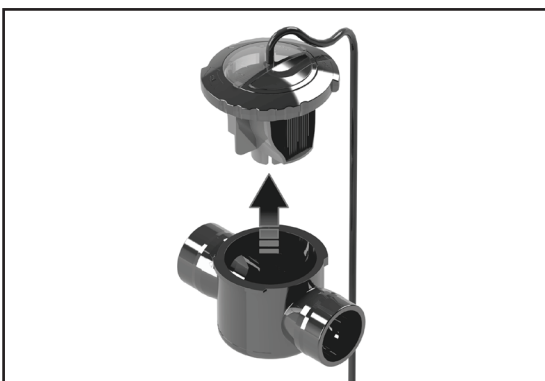
**NOTE** The cell must be installed on a 16 Inch (40cm) horizontal length of pipe after the heaters, pumps, and filters, as the last piece of equipment in the circulation plumbing system just before the pool (see Figure 1).



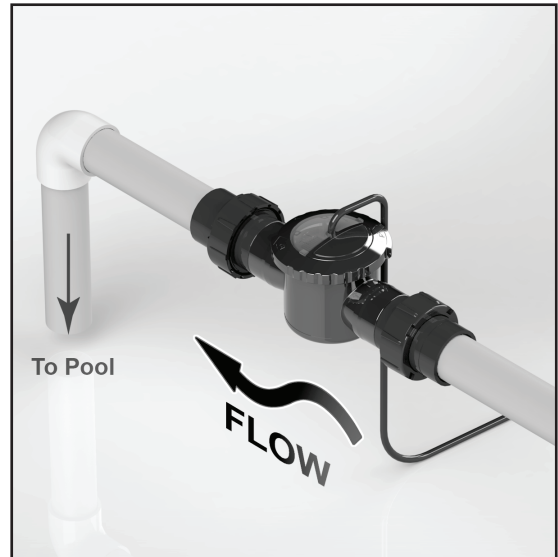
- Remove the existing equipment and make any appropriate cuts in the pipe where you will be installing the cell.



- Remove the cell from the housing and plumb the housing into the pipe, making sure that the flow indicator arrows on the housing match the flow direction of the water. Pipes must be clean and dry before gluing.



**NOTE** If the flow direction of the water does not match the arrows on the housing, the cell will malfunction.



- Let the system dry per instructions provided by the glue manufacturer. When the glue is dry, start the system and check for proper water flow. Make sure the cell is closed (locked into the housing) before you start the filter pump.

**⚠ WARNING**

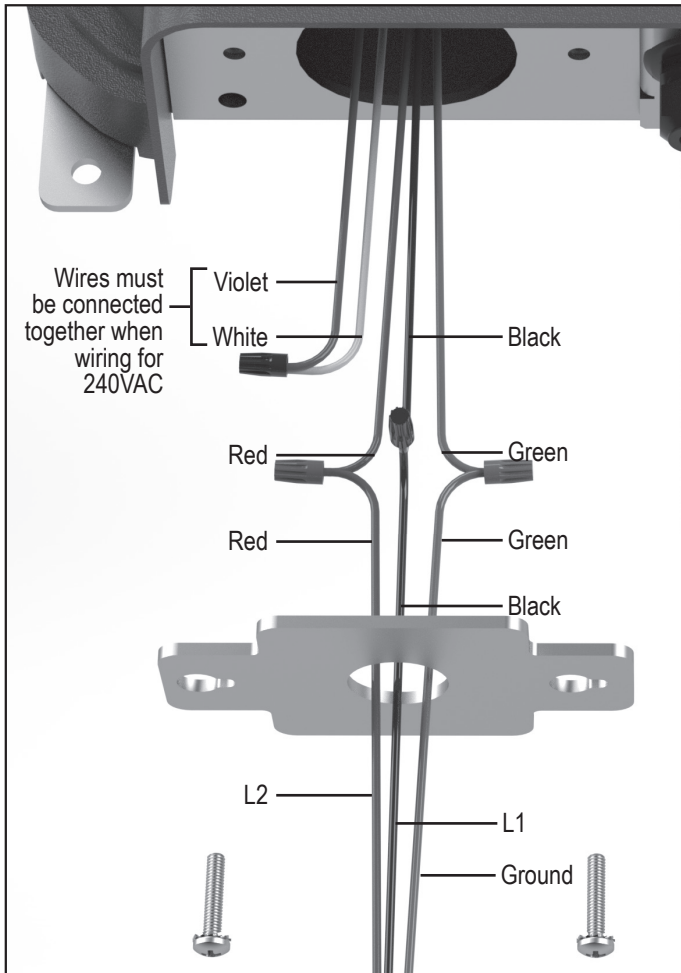
To avoid property damage, serious injury or death, do not operate the electrolytic cell without water circulation or if cell housing is damaged or improperly assembled.

**3.5 Wiring the Power Pack to the Power Source**

**⚠ WARNING**

When using electrical products, basic precautions should always be followed, including the following:

- **DANGER: RISK OF ELECTRIC SHOCK WHICH CAN RESULT IN SERIOUS INJURY OR DEATH.** Before attempting installation or service, ensure that all power to the device is disconnected/turned off at the circuit breaker. Connect only to a circuit protected by a ground-fault circuit interrupter (GFCI).
- Grounding is required. The unit should be installed by a qualified service representative and should be properly grounded and bonded (See Section 3.7, Bonding).
- To avoid property damage, serious injury or death, never use the chassis backplate of the power pack to ground any other equipment.
- Install to permit access for servicing.
- Select field conductor size appropriately, taking into consideration length of circuit and in accordance with applicable installation codes. **Wiring should only be attempted by a qualified professional.**



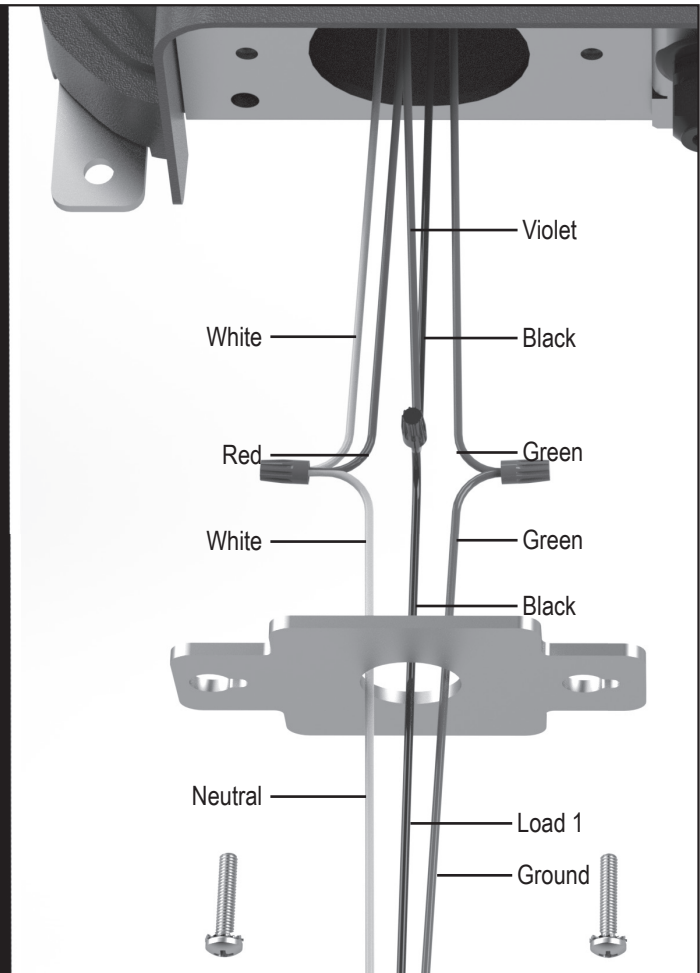
**Figure 4. Wiring with a 240 VAC Filter Pump**

1. Wire power pack to pool pump power source using 3.3 mm<sup>2</sup> (12 AWG) insulated wire and conduit. Wire the power pack to the LOAD side of the filter pump or the LOAD side of the pool pump timer relay so that the chlorinator can only come on when the pool pump comes on (see Figure 4 for 240 VAC and Figure 5 for 120 VAC).
2. Remove the electrical mounting plate that feeds the power cable to the power pack.
3. Feed the power cable through the mounting plate.
4. Connect the conduit to the mounting plate.
5. Make the wire connections. Note: The green wire should be connected to the ground point. (see Figure 4 for 240 VAC and Figure 5 for 120 VAC).
6. Place all of the wire connections and cables inside the power pack and secure the electrical mounting plate tightly.

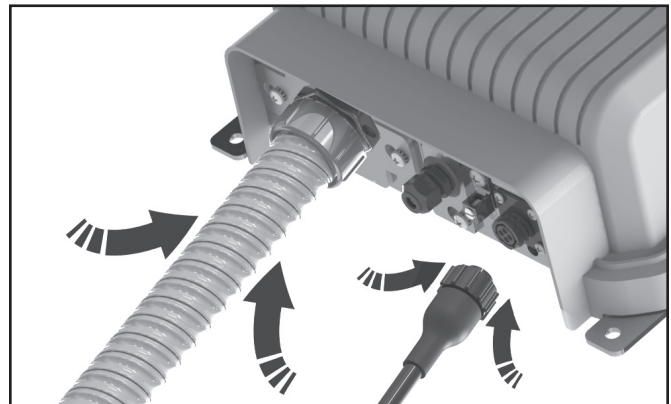
**⚠ WARNING**

Select field conductor size appropriately, taking into consideration length of circuit and in accordance with applicable installation codes. The ground conductor must be minimum 12 AWG.

7. Plug the cell into the Power Pack.



**Figure 5. Wiring with a 120 VAC Filter Pump**

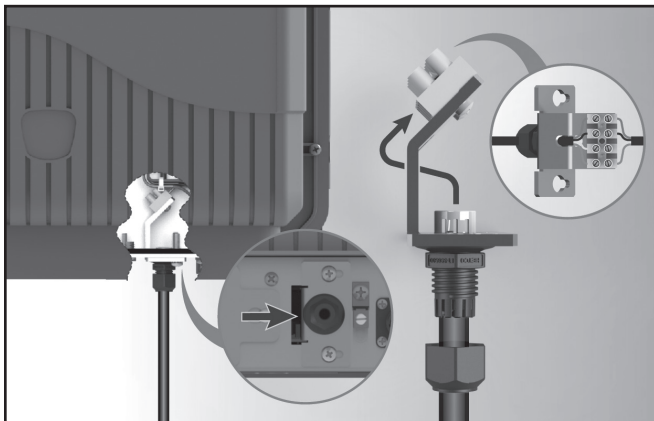
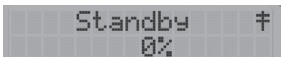


### 3.6 Install RS485 for Jandy Automation

The power pack comes equipped with a slide out RS485 connector. The RS485 connector is used to connect the Jandy TruClear chlorination system to a new or existing AquaLink® Automation System.

1. Loosen DO NOT REMOVE the two screws securing the RS485 connector bracket in place. It is not required to remove the entire front cover plate.
2. Slide out the 4 pin RS485 connection terminal.
3. From an open auxiliary on your automation system run the RS485 cable to the 4 pin RS485 connection terminal.

4. Unscrew cable fitting nut, pass RS485 wires through and resecure the nut.
5. Pass wires through center slot on bracket.
6. Use a flat head screwdriver to install the wires from the automation system. Match the colors to the wires already installed from the power pack.
7. Once connection has been made, the User Interface (UI) should display "Standby ⚡".



8. Follow the instructions for your automation system to continue with device set up and schedules.
9. Once proper communication is confirmed, reinstall the RS485 connector bracket into the power pack body.
10. If proper communication is not established begin with step 3 and retrace the above steps.
11. If communication is still not established please call technical support at 800-822-7933.

**NOTE** The TruClear does not capture a salinity reading from your pool. When connected to an automation system, the target salinity level of 3000ppm will be displayed. "General Error" will show as a result of low salt, low temp or a combination of both.

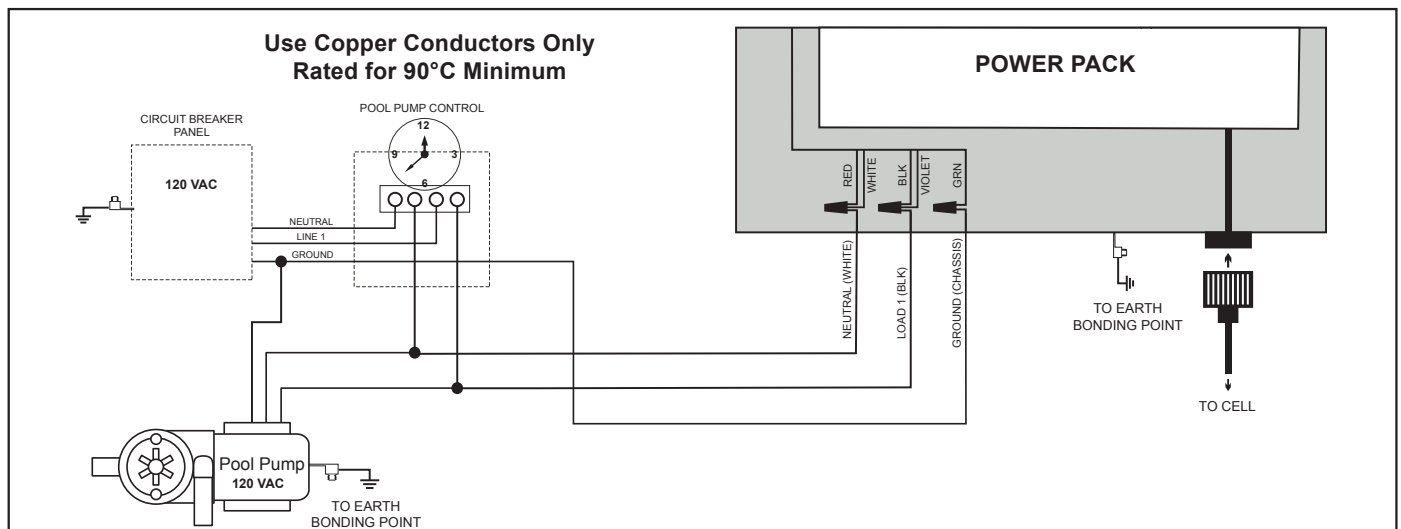


Figure 6. Wiring Diagram with a 120 VAC Filter Pump

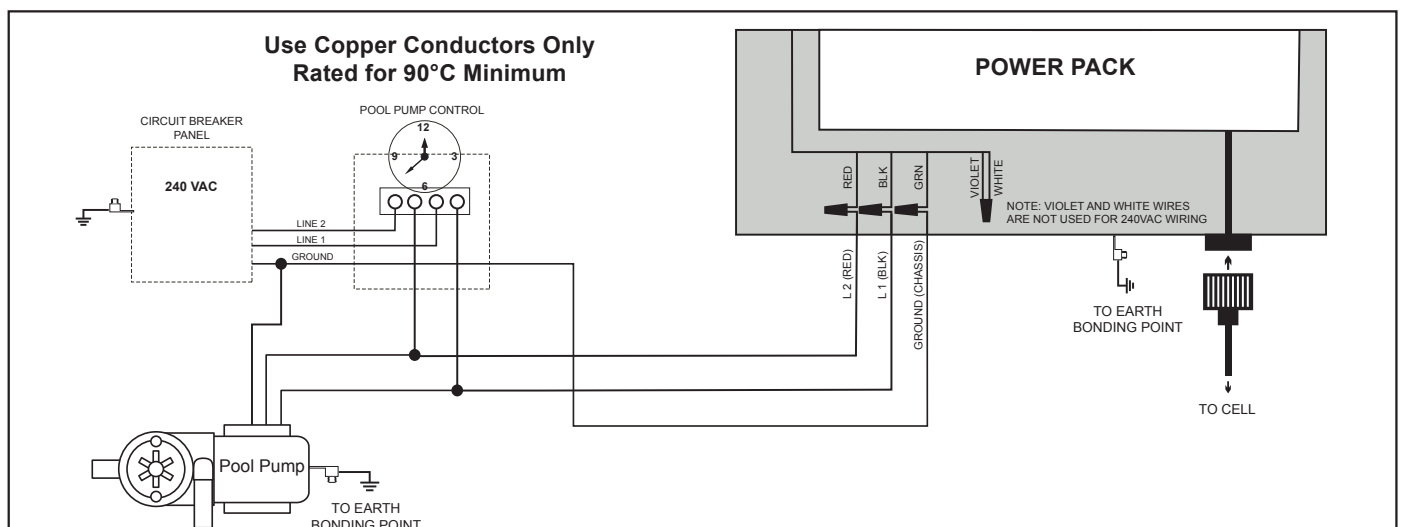


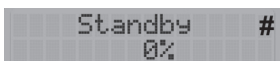
Figure 7. Wiring Diagram with a 240 VAC Filter Pump

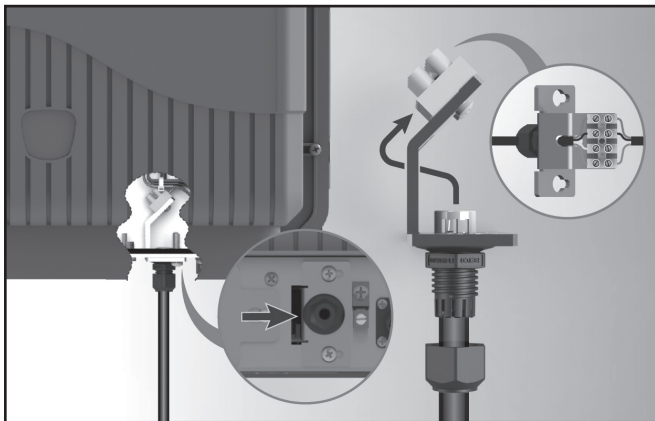


### 3.7 When Using In Non-automation Installations And With Jandy Variable Speed Pump

As stated in Section 3.3, the power pack must be interconnected with the pool pump motor power source to ensure that the chlorinator only operates when the pool pump is running. The Jandy TruClear chlorination system with Firmware Revision F or later, can monitor the state of the Jandy Variable Speed Pump so that the TruClear does not operate if the Jandy Variable Speed Pump is not running.

The power pack comes equipped with a slide out RS485 connector. The RS485 connector is used to connect the Jandy TruClear chlorination system to a new or existing Jandy Variable Speed Pump.

1. Loosen DO NOT REMOVE the two screws securing the RS485 connector bracket in place. It is not required to remove the entire front cover plate.
2. Slide out the 4 pin RS485 connection terminal.
3. From the Jandy Variable Speed Pump run a parallel (to the existing controller) RS485 cable to the 4 pin RS485 connection terminal.
4. Unscrew cable fitting nut, pass RS485 wires through and resecure the nut.
5. Pass wires through center slot on bracket.
6. Use a flat head screwdriver to install the wires from the Jandy Variable Speed Pump. Match the colors to the wires already installed from the power pack.
7. Once connection has been made, the User Interface (UI) should display “Standby #”. 



8. Once proper communication is confirmed, reinstall the RS485 connector bracket into the power pack body.
9. If proper communication is not established, begin with step 3 and retrace the above steps.
10. If communication is still not established, please call technical support at 800-822-7933.

### 3.8 Bonding

The National Electrical Code® (NEC® in the United States) or the Canadian Electrical Code (CEC in Canada) requires pool equipment to be bonded to each other. Check your local codes to determine if the NEC or CEC and/or other local installation codes are enforced by the Authority Having Jurisdiction (AHJ in the United States) or the local competent authorities in Canada. A solid, copper 8.37 mm<sup>2</sup> (8 AWG) wire is recommended, per the NEC and 13.3 mm<sup>2</sup> (6AWG) per the CEC, for bonding the power pack to a permanent bonding connection that is acceptable to the local AHJ or the local competent authorities in Canada.

Refer to your locally enforced codes for the acceptable bonding wire gauge. Attach the bonding point located on the bottom of the chassis backplate to a common bonding point. Do not use the power pack as the common bonding point. Each piece of non-related pool equipment requiring a ground should also be bonded to the common, approved bonding point. There should be one bonding connection to the power pack. In Canada, the Canadian Electrical Code (CEC) dictates that the bonding conductor be, minimum 13.3 mm<sup>2</sup> (6 AWG).

National Electrical Code® (NEC®) requires bonding of the Pool Water. Where none of the bonded pool equipment, structures, or parts are in direct connection with the pool water; the pool water shall be in direct contact with an approved corrosion-resistant conductive surface that exposes not less than 5800 mm<sup>2</sup> (9 in<sup>2</sup>) of the surface area to the pool water at all times. The conductive surface shall be located where it is not exposed to physical damage or dislodgement during usual pool activities, and it shall be bonded in accordance with the bonding requirements of NEC Article 680. Refer to your locally enforced codes for any additional bonding requirements.

### 3.9 Split Return Plumbing Instructions: For Infloor Cleaning Systems

If the chlorinator is used with an in-floor cleaning system, it must be installed in a separate dedicated return line or damage to the chlorinator will occur.

**NOTE** Do not install the chlorinator on in-floor systems that do not have a dedicated pool return as shown in Figure 8.

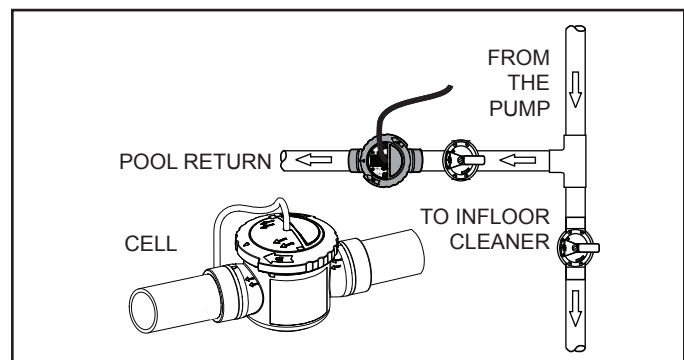


Figure 8. New Pool Plumbing for In-Floor Systems

## Section 4. Pool Water Preparation



### ATTENTION INSTALLER, PLEASE CHECK WATER CHEMISTRY PRIOR TO OPERATION

Please take a moment to test the water for Total Hardness (TH) before proceeding.

1. Remove Test Strip from foil pouch. Take care not to put wet fingers into the foil.
2. Immerse at a depth of 6" (15 cm) for 2 seconds. If testing in a spa make sure the jets are off.
3. Remove with pad face up.
4. Shake once to remove excess water.
5. Wait 10 seconds
6. Compare test strip color to the printed color chart in your test strip packet.

An ideal range is from 200 to 400. If your TH measures 800+ you must adjust water chemistry before operating the cell. Poor water chemistry will lead to rapid calcification and failure of the electrolytic cell.

#### 4.1 Determining Pool Size (Litres)

- **Rectangular Pools**  
Length (metres) x width (metres) x average depth (metres) x 1000 = litres capacity.
- **Circular Pools**  
Radius (metres) x Radius (metres) x 3.14 x average depth (metres) x 1000 = litres capacity.

**NOTE** On initial startup of a pool, it is best to shock using an alternate source, i.e., use a shock treatment available at your local pool supplier.

- **Oval Pools**  
Short Radius (metres) x long radius (metres) x 3.14 x average depth (metres) x 1000 = litres capacity.

#### 4.2 Determining Pool Size (Gallons)

- **Rectangular Pools**  
Length (feet) x width (feet) x average depth (feet) x 7.5 = gallon capacity.
- **Circular Pools**  
Radius (feet) x radius (feet) x 3.14 x average depth (feet) x 7.5 = gallon capacity.
- **Oval Pools**  
Long radius (feet) x short radius (feet) x 3.14 x average depth (feet) x 7.5 = gallon capacity.

## 4.3 Chemistry You Need to Know

- **Chlorine Stabilizer** (cyanuric acid) is needed to maintain proper levels of chlorine. Most non-stabilized chlorine is destroyed by the UV radiation from the sun within two (2) hours. Chlorine stabilizer should be maintained between 30 - 50 ppm. For indoor pools, it is not necessary to add chlorine stabilizer to the swimming pool water.
- **Nitrates** can cause extremely high chlorine demands and will deplete chlorine from your swimming pool. In some cases nitrates may even lower your chlorine levels to zero. Your local pool professional can test for nitrates. Make sure nitrates are not present.
- **Metals** (some metals) can cause loss of chlorine and stain your pool. Have a local pool professional check for metals and recommend methods of removal.
- **Combined Chlorine (Chloramines)** should not be present in pool water. When organic materials combine with free chlorine, chloramines are formed. This ties up the free chlorine in your pool and does not allow the chlorine in your pool to disinfect. Chloramines also cloud pool water and burn the eyes. Shock to remove chloramines at the initial startup of the pool.
- **Shocking or Super Chlorination** enhances chlorine's ability to oxidize organic waste by eliminating combined chlorine (CC). To measure combined chlorine (CC), subtract the Free Chlorine (FC) from the Total Chlorine (TC). ( $TC - FC = CC$ ).

To determine how much shock (fast dissolving chlorine) it will take to properly shock your pool, you'll need to calculate the Breakpoint Chlorine (BPC) level. To determine the Breakpoint Chlorine (BPC) needed, multiply the Combined Chlorine (CC) level by 10. Then, subtract the Free Chlorine (FC) level.

Breakpoint Chlorine (BPC) =  $((CC \times 10) - FC)$   
for example: If  $FC=1.0$ ppm, and if  $CC=0.7$ ppm, the BPC level would be 6.0 ppm. formula:  $((0.7 \times 10) - 1.0)=6.0$

Your local pool professional can help with this calculation or can supply you with test kits that can provide this information. Running your unit at 100% for 24 hours may also help you achieve breakpoint chlorination. If diminished water clarity or evidence of algae persists, your local pool dealer may suggest additional steps to sanitize your pool water and eliminate chloramines.

Proper Water Balance is key to your enjoyment of your pool or spa experience and to the long life of your cell.

- The pH of your pool or spa's water is the measure of whether water is either acidic or scale forming. Cold water is typically more acidic, while hot water is more scale forming. The ideal range for pH in either a pool or a spa is 7.4 to 7.6 regardless of temperature. If pH is allowed to rise, above 7.6 and the chlorine generator is operating, calcium in the water may coat the metal plates in the cell. This could restrict the flow of water resulting in reduced efficiency and possibly damage the cell. If the pH is allowed to drop below 7.4, the water will become more acidic and will dissolve the metal components in the pool plumbing with the metal plates in the cell being a prime target.
- Total Dissolved Solids (TDS).** Adding salt to pool water will raise the TDS level. While this does not adversely affect the pool water chemistry or clarity, the pool water professional testing for TDS must be made aware salt has been added for the sanitizing system. The individual performing the TDS test will then subtract the salinity level to arrive at the correct TDS level.
- New pool water** in a recently filled or newly refinished pool may contain undesirable matter which could interfere with the salt water chlorinator's ability to sanitize properly. Make sure the water is tested by a pool professional and properly balanced before turning on the chlorinator system. New plaster pools have a constant acid demand for six (6) months. Test often and maintain a proper pH to avoid excess scaling of the cell.
- Langelier Saturation Index** is a standard method of determining the potential of your pool water to be corrosive or scale forming. PH, Total Alkalinity (TA), temperature, Calcium Hardness and Total Dissolved Solids (TDS) play a role in the calculation of the final saturation rating.

**NOTE** On initial startup of a pool, it is best to shock using an alternate source, i.e., use a shock treatment available at your local pool supplier.

Saturation Index = pH + AF + CF + TF -12.1*					
A-Factor=(AF), C-Factor=(CF), T-Factor=(TF)					
Total Alkalinity		Calcium Hardness		Temperature	
A-Factor		C-Factor		T-Factor	
PPM	Factor Value	PPM	Factor Value	°F	Factor Value
5	= 0.7	5	= 0.9	32	= 0.0
25	= 1.4	25	= 1.0	37	= 0.1
50	= 1.7	50	= 1.3	46	= 0.2
75	= 1.9	75	= 1.5	53	= 0.3
100	= 2.0	100	= 1.6	60	= 0.4
150	= 2.2	150	= 1.8	66	= 0.5
200	= 2.3	200	= 1.9	76	= 0.6
300	= 2.5	300	= 2.1	84	= 0.7
400	= 2.6	400	= 2.2	94	= 0.8
800	= 2.9	800	= 2.5	105	= 0.9

A saturation index of 0 is perfectly balanced  
 A negative saturation index has corrosive tendencies  
 A positive saturation index has scaling tendencies  
 A saturation index of +0.3 or -0.3 is ideal  
 \*-12.1 should be changed to -12.2 if Total Dissolved Solids (TDS) measure at 1,000 ppm or greater

#### 4.4 Optimum Pool Water Conditions

In accordance with the Association of Pool and Spa Professionals® (APSP®) standards, we recommend the following water balance conditions be maintained on an on-going basis to protect the pool finish and the equipment and to ensure the pleasing appearance of the water. The Jandy TruClear is warranted to operate properly only if the following conditions are met:

**Free Chlorine:** Ideal levels should be 1.0 - 3.0 ppm.

**Combined Chlorine (Chloramines):** None. Use shock (fast dissolving chlorine to remove all chloramines).

**pH:** 7.4 - 7.6 (Use muriatic acid to lower pH and soda ash to raise pH).

**Chlorine Stabilizer (Cyanuric Acid):** 30 - 50 ppm (for outdoor pools only).

**Total Alkalinity:** 80 - 120 ppm (U.S.); 100 - 120 ppm (Canada)

**Calcium Hardness:** 200 - 400 ppm

**Metals (Iron, Manganese):** None

**Nitrates:** None

**Phosphates:** None

**Temperature:** Above 60°F (16°C)



## 4.5 Collecting a Water Sample

To properly collect a water sample for use with your home test kit or to be taken to local pool dealer there are some good practice suggestions that should be followed.

- Never use glass containers in the pool area.
- Choose a location well away from the return fittings that are bringing water back to the pool.
- Take the container and turn it upside down to trap air and then turn the container upright 46 cm (18 in.) below the surface of the water. Bring container to the surface and cap the container.

## 4.6 Salt (NaCl Sodium Chloride)

### When to add salt

Add salt to the pool if the salt is too low (see Table 1). For a new pool or newly resurfaced pool it is recommended to wait at least 30 days (surface should be completely cured) before adding salt. Do not run the chlorinator at this time. Manually chlorinate the pool. Contact your dealer for recommendations. Follow the pool surface manufacturer's guidelines for your particular pool. For vinyl and fiberglass pools, salt can be added at start up.

### What Type of Salt to Use

- The purer the salt, the better the life and performance of the electrolytic cell. Use a salt that is at least 99.8% pure NaCl. The salt is an evaporated, granulated, food quality, non-iodized salt. Consult your pool store.
- Avoid using salt with anti-caking agents (sodium ferrocyanide, also known as YPS or yellow prussiate of soda) that could cause some discoloration of fittings and surface finishes in pool.

- Water conditioning salt pellets are compressed forms of evaporated salt and may be used but will take longer to dissolve.
- **Do not** use calcium chloride as a source of salt. Use sodium chloride only.
- **Do not** use rock salt because insoluble impurities mixed with the rock salt can shorten the life of the unit.

### How Much Salt to Use

Use salinity test strips, a TDS/salinity meter, or another reliable method to test the salinity of the pool water. Once the existing salinity has been established, use Table 1 to determine the amount of salt to add to reach the desired level. Be conservative when adding salt as it is easier to add more if needed than it is to dilute if there is too much salt.

- 3,000 ppm of salt is recommended for optimum water conditions.
- Low salt concentration below 2,500 ppm will cause premature cell failure.
- High salt concentration above 6,000 ppm may cause corrosion damage to pool fixtures.

### How to Add Salt to the Pool

1. Turn on pump to circulate pool water.
2. **IMPORTANT** - Turn the power pack off by pressing and holding the ON/Off button for 6 seconds.
3. Test the water for salinity level using test strips, electronic meter, or by your local pool professional.

### CAUTION



It is important to note that certain materials used in and around swimming pools and spas may not be compatible with chemicals commonly used to purify pool and spa water (e.g. acids, chlorine, salt, stabilizers, etc.).

Zodiac Pool Systems LLC does not warrant or guarantee that the chlorinated water generated by the Jandy chlorine generating device will not damage or destroy certain types of plants, decking, coping and other materials in and around your pool and/or spa. Before selecting materials to be used in and around your pool and/or spa, please discuss all options with your contractor to assess the compatibility of such materials and chemicals. When mixing acid with water, **ALWAYS ADD ACID TO WATER. NEVER ADD WATER TO ACID.**

Some helpful considerations may include:

- Choosing plants that can withstand splash out of pool water containing chlorine and/or salt and other water purification chemicals.

- All metal components used in and around a pool should be of a high grade, quality stainless steel.
- Careful selection of masonry products. The porosity and hardness of natural stones varies greatly. Therefore we recommend you consult with your builder or stone contractor on the best choice for stone materials around your pool or spa.
- Sealing all masonry products. Professionals in the stone industry specify that even natural stone, especially when used outdoors, be sealed to prevent weathering, staining, and premature degradation. Consult with your stone or deck contractor for the proper sealer for the masonry products you have selected to use around your pool or spa.
- For optimal results, sealers should be reapplied on a regular basis. Reapply the protective sealer on a schedule per the manufacturer's instructions.
- Use of chemicals other than those recommended may be hazardous. Follow the chemical manufacturers instructions.

4. Use the Table 1 to determine the amount of salt to add. Be conservative when adding salt as it is easier to add more if needed than it is to dilute if there is too much salt.
5. Disperse salt into pool. Do not add through skimmer, main drain, or surge tank. Brush the salt around the pool to facilitate dissolving. Circulate filter system for 24 hours to ensure even distribution.
6. After 48-72 hours, verify correct salt reading by testing the water salinity level using test strips, electronic meter, or by your local pool professional.
7. When the salinity level is correct, turn the power pack on. Press the  buttons to set the desired production rate. .

**NOTE** For a new pool or newly resurfaced pool it is recommended to wait at least 30 days (surface should be completely cured) before adding salt. Follow the pool surface manufacturers guidelines for your particular pool. For vinyl and fiberglass pools, salt can be added at start up.

**Table 1. Approximate Pounds and Kilograms of Salt Needed to Obtain 3.0 gpl (3,000 ppm)**

Current Salt Level ppm	Pool/Spa Size - US Gallons (Litres)					
	10,000 gal (38,000 L)	15,000 gal (57,000 L)	20,000 gal (76,000 L)	25,000 gal (95,000 L)	30,000 gal (114,000 L)	35,000 gal (132,000 L)
0	250 lbs (114 kgs)	376 lbs (170 kgs)	501 lbs (227 kgs)	626 lbs (284 kgs)	751 lbs (341 kgs)	876 lbs (397 kgs)
250	229 lbs (104 kgs)	344 lbs (156 kgs)	459 lbs (208 kgs)	574 lbs (260 kgs)	688 lbs (312 kgs)	803 lbs (364 kgs)
500	209 lbs (95 kgs)	313 lbs (142 kgs)	417 lbs (189 kgs)	522 lbs (237 kgs)	626 lbs (284 kgs)	730 lbs (331 kgs)
750	188 lbs (85 kgs)	282 lbs (128 kgs)	376 lbs (170 kgs)	469 lbs (213 kgs)	563 lbs (256 kgs)	657 lbs (298 kgs)
1000	167 lbs (76 kgs)	250 lbs (114 kgs)	334 lbs (151 kgs)	417 lbs (189 kgs)	501 lbs (227 kgs)	584 lbs (265 kgs)
1250	146 lbs (66 kgs)	219 lbs (99 kgs)	292 lbs (132 kgs)	365 lbs (166 kgs)	438 lbs (199 kgs)	511 lbs (232 kgs)
1500	125 lbs (57 kgs)	188 lbs (85 kgs)	250 lbs (114 kgs)	313 lbs (142 kgs)	376 lbs (170 kgs)	438 lbs (199 kgs)
1750	104 lbs (47 kgs)	156 lbs (71 kgs)	209 lbs (95 kgs)	261 lbs (118 kgs)	313 lbs (142 kgs)	365 lbs (166 kgs)
2000	83 lbs (38 kgs)	125 lbs (57 kgs)	167 lbs (76 kgs)	209 lbs (95 kgs)	250 lbs (114 kgs)	292 lbs (132 kgs)
2250	63 lbs (28 kgs)	94 lbs (43 kgs)	125 lbs (57 kgs)	156 lbs (71 kgs)	188 lbs (85 kgs)	219 lbs (99 kgs)
2500	42 lbs (19 kgs)	63 lbs (28 kgs)	83 lbs (38 kgs)	104 lbs (47 kgs)	125 lbs (57 kgs)	146 lbs (66 kgs)
2750	21 lbs (9 kgs)	31 lbs (14 kgs)	42 lbs (19 kgs)	52 lbs (24 kgs)	63 lbs (28 kgs)	73 lbs (33 kgs)
3000	Optimum	Optimum	Optimum	Optimum	Optimum	Optimum


**Table 2. Approximate Pounds and Kilograms of Stabilizer Needed to Obtain 50 ppm**

Current Cyanuric Acid Level - ppm	Pool/Spa Size US Gallons (Litres)					
	10,000 gal (38,000 L)	15,000 gal (57,000 L)	20,000 gal (76,000 L)	25,000 gal (95,000 L)	30,000 gal (114,000 L)	35,000 gal (132,000 L)
0	(4.2 lbs) 1.9 kgs	(6.3 lbs) 2.9 kgs	(8.4 lbs) 3.8 kgs	(10.5 lbs) 4.8 kgs	(12.6 lbs) 5.7 kgs	(14.8 lbs) 6.7 kgs
10	(3.4 lbs) 1.5 kgs	(5.1 lbs) 2.3 kgs	(6.7 lbs) 3.1 kgs	(8.4 lbs) 3.8 kgs	(10.1 lbs) 4.6 kgs	(11.8 lbs) 5.4 kgs
20	(2.5 lbs) 1.1 kgs	(3.8 lbs) 1.7 kgs	(5.1 lbs) 2.3 kgs	(6.3 lbs) 2.9 kgs	(7.6 lbs) 3.4 kgs	(8.9 lbs) 4.0 kgs
30	(1.7 lbs) 0.8 kgs	(2.5 lbs) 1.2 kgs	(3.4 lbs) 1.5 kgs	(4.2 lbs) 1.9 kgs	(5.1 lbs) 2.3 kgs	(5.9 lbs) 2.7 kgs
40	(0.8 lbs) 0.4 kgs	(1.3 lbs) 0.6 kgs	(1.7 lbs) 0.8 kgs	(2.1 lbs) 1.0 kgs	(2.5 lbs) 1.2 kgs	(3.0 lbs) 1.3 kgs

**NOTE** For indoor pools, it is not necessary to add chlorine stabilizer to the swimming pool water.

## Section 5. Operating Instructions




### 5.1 Turning Power Pack On/Off (Manually)

To turn the Jandy chlorine generating device on or off press the  button.

A quick press will place the chlorinator into “standby” state. While in “standby” mode a quick press will return to “chlorinating” mode. If held down for 6 seconds it will completely power down.

**NOTE** Because the power pack is wired to the pump’s power source, the power pack can only be turned on when the pump is turned on.

### 5.2 Select Language

Press and hold the  buttons simultaneously for five seconds to access the service menu. Use the  button to select language. Press the  button to exit when your selection has been made.



### 5.3 Turning Power Pack On/Off (Using the Pump’s External Timer)

If the power pack is wired to the pump’s external timer and the power to the unit is on, the power pack will automatically turn on and off when the pump turns on and off (see Section 3.5). When the power pack is wired as such, the only setting that must be set manually is the chlorine output level (see Section 5.4).

### 5.4 Chlorine Output Level

When setting the chlorine output level, the factors to consider are:

- number of gallons in the pool
- number of bathers (bather load)
- amount of pollen and dust going in the water
- number of hours the pump runs
- whether you are using a single or variable speed pump
- climate and water temperature
- amount of rain water entering the pool.

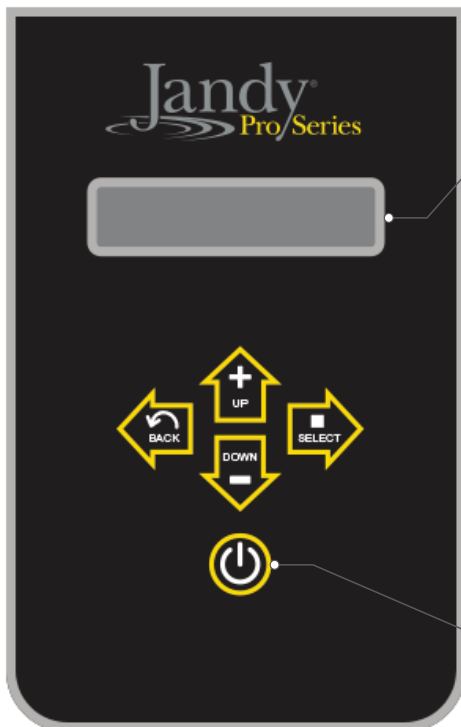
A good starting point for pools at 15K gallons and under should be 40%. Pools closer to the 25K to 30K gallons should use 60% as a starting point.

If you find that these levels do not provide the 1 - 3 PPM chlorine residual that is desired, then raise the output level higher to compensate.

If you find that output level is approaching 90% to 100% and testing the pool water shows no or very low chlorine residual, your pool may need to be manually shocked due to a waste load that has built up in the pool water that is overwhelming the chlorine you are supplying to the pool. Another cause may be the lack of Cyanuric Acid (CYA) at

appropriate levels to protect the chlorine from the UV rays of the sun.

**NOTE** The unit only runs while your pump is running. More pump runtime will result with more chlorine in the water.



• **DISPLAY**  
Shows TruClear™ status and chlorine production percentage.

Standby  
0%

Indicates TruClear is in standby mode and will not be producing chlorine even if the filter pump is running.

Starting...

Indicates TruClear has detected filter pump activation and is initiating chlorine production.


Chlorinating  
10%


Indicates TruClear is currently producing chlorine and displays current production output percentage.

Standby  
0%

Indicates TruClear is connected to a remote automation system via RS485\*.

Press to turn power to system on. Press and hold for 6 seconds to completely power the system down. A single quick press will toggle the system from Standby to Auto mode when not connected to a remote automation system via RS485\*.



 In normal operation, the up and down arrows are used to set the output level of the chlorinator. The output should be adjusted in order to achieve the desired Free Available Chlorine level of 2-4 ppm.

 The back/save button will save any changes you have made in the menu and send you back to the previous menu screen. The select button will scroll through and open any available parameters for editing.

\*When connected to an automation system via RS485, full control of the TruClear system is given over to the automation controller. No functionality will persist at the TruClear UI. In order to control the TruClear from the UI, the automation system must first be placed into service mode. For details on service mode please consult the operation manual for the controller you are using as follows:

- AquaLink® RS: 6594 • Z4: H0386500 • PDA: H0572300

With all the variables mentioned above, it may take you a couple weeks to find the right production rate for your pool. To adjust the output level, follow these steps:

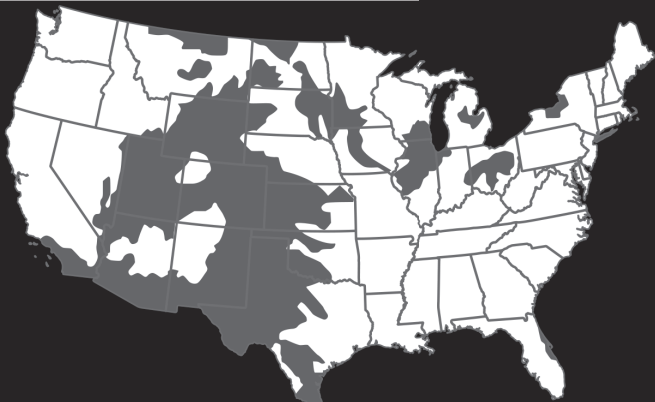
1. Turn the power pack on by pressing the  button.
2. Press the  buttons to reach the desired output level. The minimum setting is 10%. The output can be adjusted in increments of 10% up to 100%. This controls the amount of run time for the cell.


### CAUTION

Never use dry acid to adjust pH in arid geographic areas with excessive evaporation and minimal dilution of pool water with fresh water. A build up of by products can damage the electrolytic cell.

**IMPORTANT** Always test the chlorine levels of your pool before each use. During heavy usage where bather load is increased, chlorine levels may deplete quickly and require more adjustments. Monitor the chlorine closely, and take appropriate measures in order to maintain the recommended 1 - 3 ppm free chlorine residual.

If your Total Hardness (TH)\* level is above 400 ppm or you reside in an area known to have hard water, it is recommended you change the polarity reversal time from the default of 5 hours to every 3 hours (instructions on back).



 Areas known to have hard water

\*Three (3) Total Hardness (TH) test strips are included



**To change the polarity reversal time** from the default of 5 hours to the recommended 3 hours, press the up and down arrows simultaneously to access the service menu.




**Regular inspection and cleaning** is the best way to extend the life of the chlorinator. Check cell weekly for scale formation; if you need to clean the cell more than once a month, it is also recommended you change the polarity reversal time to every 3 hours.




**Please contact Customer Service at (800) 822-7933 with any additional questions.**

©2020 Zodiac Pool Systems LLC. All rights reserved. ZODIAC® is a registered trademark of Zodiac International S.A.S.U. used under license. All other trademarks are the property of their respective owners.



Figure 9. Total Hardness (United States)

## 5.5 BOOST/LOW Mode

The BOOST mode can be used to maximize chlorine output for a short period of time. To activate BOOST mode, press the  and  buttons simultaneously. The boost will turn off after 24 hours. To turn off BOOST mode manually, press the  button.

The LOW mode can be used to minimize chlorine output while activated. To activate LOW mode, press the  and  buttons simultaneously. The LOW mode will stay on indefinitely. To turn off LOW mode, press the  button

## 5.6 Polarity Reversal

The Jandy chlorine generating device is a reversible polarity cell which means that the cell will periodically switch its polarity to help prevent any build up of calcium on the cell plates. This is sometimes referred to as the automated cell cleaning feature. During the transition between changing its polarity there is a brief period when the cell will not produce any chlorine. Once it has changed polarity, it will continue to make chlorine. In areas of hard water (See map in Figure 9). It is recommended that you manually adjust the polarity reversal time from 5 hours to three hours. To make the change, press and hold the up and down arrows simultaneously to enter the service mode. See Figure 9. Press the right arrow key once to select “Cyc=”. Use the  button to cycle between three, five and seven hour cycles. Press the  button to exit.

**NOTE** ‘CLEANING’ will be displayed on the screen during the ‘WAIT’ period. The output level indicator will remain as set during the cleaning period.

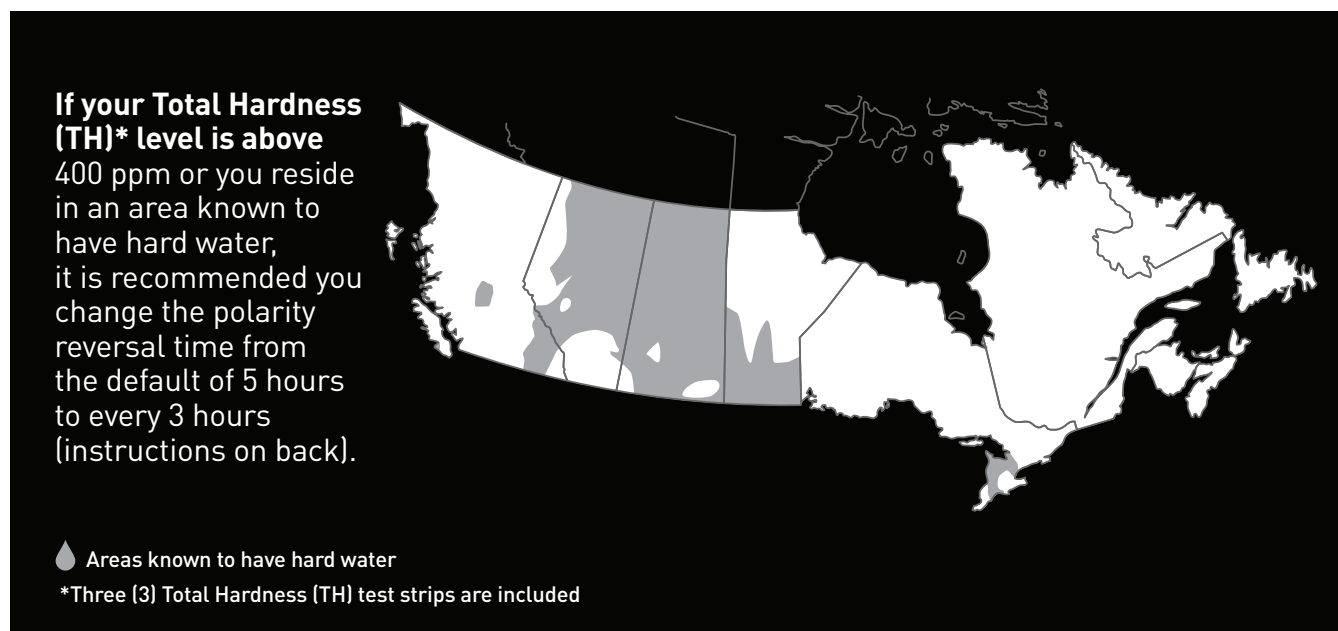


Figure 10. Hard Water Map (Canada)



## Section 6. Maintenance

Before servicing the Jandy chlorine generating device, ensure that you have read and understood the Important Safety Instructions section.

### 6.1 Weekly

1. **Chlorine Test.** Test pool water chlorine level with a reliable test kit. Maintain an ideal range by adjusting the chlorine output level on the power pack (see Section 5.4) or if necessary, by supplementing the chlorinator with additional dry or liquid chlorine. The recommended free chlorine level is 1 - 3 ppm. See section 4.5 for instructions on collecting a water sample.

**NOTE** Never use glass containers in the pool area. Broken glass becomes difficult to see under water.

2. **pH Level Test.** Test the pH level of your pool with a test kit. If necessary, adjust to maintain a pH level of 7.4 - 7.6 (see Section 4.3).
3. **Total Alkalinity Test.** Test pool water for total alkalinity with a test kit. Take steps necessary to maintain an alkalinity of 80 - 120 ppm (U.S.) or 100 - 120 ppm (Canada) (see Section 4.3).
4. **Calcium Hardness.** Test pool water for calcium hardness level using test kit or by having a water sample tested by a pool professional. Adjust as necessary to maintain a calcium hardness of 175 - 400 ppm (see section 4.3).

### 6.2 Monthly

1. **Check the cell.** It is recommended that the cell be inspected every month for scale and/or calcium deposits. Light colored, crusty deposits known as scale will form in excessively hard water or from pool water that is out of balance. Following the installation of the Jandy chlorine generating device, check the cell once a month for signs of scale. Hold the plate bundle to a light source so the light can be seen between the plates. If the light is easily seen through the plates and/or a small amount of scale is visible, the cell does not need to be cleaned. Reinstall.

On the other hand, if the light is barely visible through the plates or the light is totally blocked by scale, then the cell needs to be cleaned. See Section 6.3 for instructions.

**NOTE** Excessive cleaning can shorten the life of your cell.

2. **Salt Level Test.** Use salinity test strips, a TDS/ salinity meter, or another reliable method to test the salinity of the pool water. Once the existing salinity has been established, use Table 1 to determine the amount of salt to add to reach the desired level. Be conservative when adding salt as it is easier to add more if needed than it is to dilute if there is too much salt. If the salinity level of the pool is correct and the salt LED does not go out, see Section 7. Troubleshooting.
3. **Pool Water Sample.** Take water sample to local pool store for testing.
4. **Stabilizer (Cyanuric Acid).** Test pool water stabilizer (cyanuric acid) level using a test kit or by having a water sample tested by a pool professional. Maintain ideal range of 30 - 50 ppm. Follow your pool professional's recommendations and check all local and federal regulations to ensure that the ideal range is suitable for your specific conditions. For indoor pools, it is not necessary to add chlorine stabilizer to the swimming pool water.
5. **Metals Test.** It is recommended that the pool water be tested periodically for the presence of metals such as iron, and manganese. These metals should not be present in the pool water. If those metals are present, contact your local pool professional.

### 6.3 Cleaning the Cell

#### **⚠ CAUTION**

Disconnect power to the system at the main circuit breaker before performing this procedure to avoid risk of electric shock which can result in property damage, severe injury or death.

If the cell has a tendency to scale, it is recommended that every month the cell be removed and inspected for scale formation and/or debris. Some filters allow debris to pass through to the cell which could lodge between the plates in the cell. A small amount of scale formation is normal. If by looking through the cell it is observed that there is excessive scale formation between the plates or debris is present, the cell must be cleaned as follows:

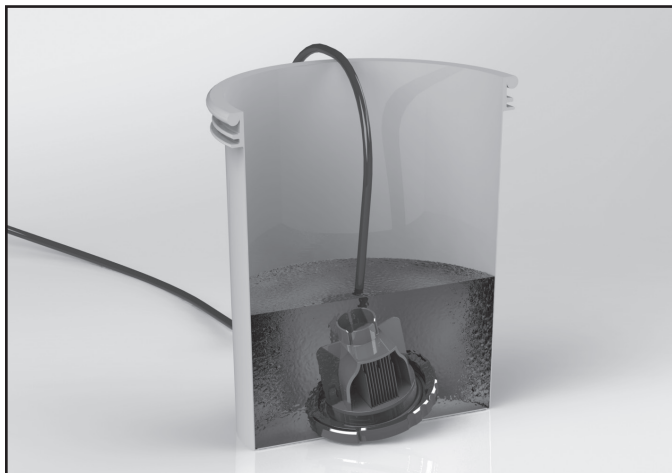


1. Ensure that all power to the power pack and the controller is turned off at the circuit breaker.
2. Before removing the cell for cleaning, shut off any necessary valves to prevent any water loss.
3. Open the air relief valve on the filter to release any pressure in the pool system.
4. Loosen the ring and remove the cell.
5. With protective glasses and gloves on, add one (1) part muriatic acid to ten (10) parts water in a small bucket and mix the cleaning solution together.

### ⚠ CAUTION

- When cleaning the cell, wear protective eyeglasses and gloves.
- When mixing acid with water, prepare the solution by **ALWAYS ADDING ACID TO WATER. NEVER ADD WATER TO ACID.**
- Never use undiluted Muriatic acid. Always use the recommended mixture of Muriatic acid and water.

6. Submerge the cell into the cleaning solution.



7. A foaming action will begin, which is caused by scale (calcium carbonate) being dissolved from the plates. If foaming action does not begin, the cell does not need to be cleaned (STOP THE CLEANING PROCESS - go to the step 10). Otherwise allow the cell to remain in the solution until the foaming has stopped (approximately 5 - 10 minutes).

**NOTE** Do not use a screwdriver or any other metal object to remove calcium deposits.

8. Flush the cell with fresh water and perform the inspection again. If considerable blockage is still present, then re-submerge the plates back into the cleaning solution, flush and reinspect.
9. After the cell has been cleaned, dispose of the solution according to local regulations.

10. Rinse the cell thoroughly with clean tap water and inspect. If deposits are still visible on the electrolytic cell, repeat step 6.

**NOTE** Excessive acid washing will damage the electrolytic cell. **Do not leave in acid for more than 30 minutes.**

11. Once the cell is clean, reattach the cell as described in Section 3.4.

### ⚠ WARNING

Do not energize or operate the unit if the cell housing is damaged or improperly assembled.

## 6.4 Winterizing

**NOTE** Do not use Ethylene Glycol (anti-freeze) in the system.

Very little chlorine is needed in cold water. Operating the chlorinator below 55°F (13°C) is not recommended. Operating the chlorinator in cold water can dramatically shorten the life of the cell.

If preventative measures are not taken, freezing water may cause severe damage to the cell. Prevent freeze damage to the cell by running pump continuously or winterize pool by draining water from pump, filter, and all intake and return lines. Remove the cell, clean it and store it indoors. A winterizing cap (R0621900) can be purchased to replace the cell during winterizing or cell maintenance.

This will enable pool pump to circulate water with the cell out of the line. During prolonged periods when the water will be less than 55°F (13°C), the unit should be turned off and a chlorine floater or erosion feeder should be used by putting a small number of tablets in either of these devices until the water temperature increases. Doing this will lengthen the cell life and provide better performance when water conditions are more optimal.



## Section 7. Troubleshooting

### WARNING

Always turn pump off prior to attempting service or repair. Your pump and filter system is operated under pressure and pressure must be released before you begin to avoid system damage or personal injury. Open the air relief valve on your pool filter to release the pressure in the system.

### 7.1 Problems and Corrective Action

Problem	Possible Cause	Corrective Action
Low or no chlorine.	Low stabilizer (cyanuric acid) level in pool water (for outdoor pools only).	Add stabilizer to maintain 30 - 50 ppm. Follow your pool professional's recommendations and check all local and federal regulations to ensure that the ideal range is suitable for your specific conditions. (see Table 2).
	pH not within recommended range.	Chlorine does not operate as well as a sanitizer if the pH is not within range. This can cause a higher chlorine demand. The ideal range for pH is 7.4 - 7.6 (Use muriatic acid to lower pH and soda ash to raise pH).
	Insufficient operating hours of the unit.	Increase the system operating time per day.
	Chlorine output percentage set too low.	Increase chlorine production by pressing the Output button (see Section 5.4).
	Temporary loss of chlorine due to heavy organic load - rain, leaves, fertilizer or heavy bather load. Pets using pool.	Set chlorine production to 100% and set the pump and the cell to run for 24 hours. After 24 hours, recheck chlorine levels. If still too low, super chlorinate with alternate source to achieve Breakpoint Chlorination (BPC). Your local pool dealer can assist with this if you take to them a sample of your water.
	Low (less than 3,000 ppm) salt level in pool water.	Use salinity test strips, a TDS/salinity meter, or another reliable method to test the salinity of the pool water. Once the existing salinity has been established, use Table 1 to determine the amount of salt to add to reach the desired level. Maintain a salinity level of 3,000 ppm.
	High nitrate level.	Contact a pool professional.
	Metals present in pool water.	Contact a pool professional.
	New pool water. Not shocked properly upon startup.	Super chlorinate the pool.
	Clogged or dirty cell.	Remove cell for inspection and clean if necessary (see Section 6.3).

<b>Problem</b>	<b>Possible Cause</b>	<b>Corrective Action</b>
<b>Chlorine level too high. (above 7.0 PPM)</b>	Chlorine output percentage set too high.	Decrease chlorine production rate by pressing the Output button (see Section 5.4)
	Power pack and cell turned on too long.	If chlorine output is set at the lowest setting and it consistently provides excessive chlorine levels, decrease operation time as much as necessary.
<b>No display on LCD (screen is blank).</b>	No power to unit.	Check the connection to the pump timer (see Section 3.5).
		Check if GFCI tripped.
<b>Display says “No Flow”. Caused by insufficient water flow through the cell.</b>	Caused by insufficient water flow through the cell.	Check and clean the pump and skimmer baskets.
	<b>NOTE</b> When the Flow light is on, the chlorine output will be turned off.	
	Dirty filter.	Clean the filter.
	Poor connection between cell and power pack	Check for secure connection to power pack
	Closed valves.	Check and correct all valve alignments.
Pump fails to provide sufficient water flow.	Check for correct operation of the pump. Make sure pump is sized properly for required flow rate.	
<b>The display says “Lo Tmp/Lo Salt”.</b>	Salt level is well below 2,500 ppm, depending on water temperature.	Maintain a salinity level of 3,000 ppm - 3,500 ppm (see Section 4.6 or contact your local pool professional).
	Calcium buildup in the cell	Clean the Cell
	<b>NOTE</b> Salinity readings are taken after 5 minutes and at regular 5 minute intervals. The Salt warning will turn on when the salt level drops well below 2,500 ppm and it will remain on until the salt level is raised to 3,000 ppm or slightly above.	
	Cell life expired.	Replace the cell.
	A combination of low water temperature (35°-65°F / 2°-18°C) and lower salt levels (1,500 - 2,000 ppm).	Check salt level in pool water. If level is between 3,000 - 3,500 ppm, no action is necessary. If salt levels are lower than 2,500 ppm, raise the salinity level to 3,000 - 3,500 ppm (see Section 4.6). <b>NOTE</b> Salt levels above 4,500 ppm may cause corrosion damage.
<b>Salt level too low.</b>	Not enough salt added to pool.	Add salt to pool until salinity returns to 3,000 ppm (see Section 4.6).
	Leak in pool.	Repair pool.

Problem	Possible Cause	Corrective Action
<b>Salt level too high.</b>	<p>Too much salt has been added to pool.</p> <p>Metal debris caught between plates or cell plates that may be touching.</p>	<p>Verify salt levels by testing. Using the most reliable method available i.e. taking sample to pool dealer before taking any dilution action. Backwash or partially drain pool and dilute with fresh water until salinity returns to 3,000 ppm - 3,500 ppm.</p> <p>Remove any debris caught between plates by using a garden hose under moderate pressure. If plates are loose and touching, replace the cell.</p>
<b>Strong Chlorine odor.</b>	<p>Presence of excess chloramines (combined chlorine).</p> <p>Chlorine is an oxidizer, which means that organic waste is being removed from the water into the air. Strong odors are a part of this process. If these odors persist longer than 12 hours, take a water sample to your local pool dealer.</p>	<p>Manually shock the pool (see Section 4.3).</p>
<b>Cloudy water, slimy walls of pool.</b>	<p>Combined algae and bacteria growth.</p>	<p>Brush down the affected walls and then manually shock the pool (see Section 4.3).</p>
<b>Eye and/or skin irritation.</b>	<p>Improper water balance.</p>	<p>Balance the water to recommended levels in Section 4.4.</p>
	<p>High chloramine levels</p>	<p>Raise production rate to 100% and run pump for 24 hours. <b>DO NOT SWIM DURING THIS TIME</b></p>
<b>Scale formation on pool equipment.</b>	<p>High calcium hardness.</p> <p>Incorrect pH causing minerals to come out of solution.</p>	<p>Dilute pool with fresh water. Consult your pool professional regarding use of a sequestering agent.</p> <p>Adjust total alkalinity to 80 - 120 ppm (U.S.) or 100 - 120 (Canada). Then adjust pH to within the range 7.4 - 7.6 (see Section 4.4).</p>
	<p><b>NOTE</b> To clean the deposit (scale) on the cell, see Section 6.3.</p>	

## Section 8. Display Readings

### 8.1 Display Reasons and Descriptions

Display Reading	Reason	Description
EN	Language on startup	This is the acronym which should appear during the 3 seconds startup screen.
English	Language	Language selected/available for the user. Output is OFF while selection is made.
Standby	Standby	When the system is ready and waiting for the next valid chlorination cycle without any errors. Output is OFF.
Standby ‡	Connected to Jandy Automation	When the system is connected to a Jandy Automation System via RS485 communication cable and waiting for the next valid chlorination cycle without any errors. Output is OFF.
Standby #	Connected to Jandy Variable Speed Pump (with controller)	When the system is connected to a Jandy Variable Speed Pump (with controller) via RS485 communication cable and waiting for the next valid chlorination cycle without any errors. Output is OFF.
Chlorinating	Chlorination	When the system is operating within a valid chlorination cycle without any errors. Output is ON.
Cleaning	Polarity is reversing	When the system is operating within valid chlorination cycle and the duty cycle timer has expired. Output is OFF.
Lo Temp/Lo Salt	Low water conductivity	When the system detects low water conductivity, this could be caused by cold water, low salt levels, or a combination of the two. Check the salt level. Output is ON.
No Flow	No flow or low flow	When the system detects an absence of flow while operating within a valid chlorination cycle. Output is OFF.
Check Cell	Cell overload	When the system is running within a valid chlorination window and detects a cell short circuit or overload. Designed to warn the user or service person. Output is OFF.
Check Cell	Cell open circuit	When the system is running within a valid chlorination window and detects a cell open circuit or disconnection. Designed to warn user or servicer. Output is off but retries each 30 seconds.

Display Reading	Reason	Description
Over Temp	Overheated controller	<p>The controller detects internal temperature and may can reduce output power as a self-protection feature.</p> <p>At 70°C (internal) output power to the cell is reduced by 50% (no message displayed).</p> <p>At 80° C (internal) output power to the cell is reduced to 0% (OFF), and this over temperature error is displayed. Output is OFF.</p> <p>Designed to warn the user or service person of overheating.</p> <p>Please confirm that this warning message automatically disappears when internal temp goes below 80 °C.</p>

# NOTES

**Zodiac Pool Systems LLC**  
2882 Whiptail Loop # 100, Carlsbad, CA 92010

**Zodiac Pool Systems Canada, Inc.**  
2-3365 Mainway, Burlington, ON L7M 1A6 Canada

USA | Jandy.com | 1.800.822.7933  
Canada | Jandy.ca | 1.888.647.4004

©2020 Zodiac Pool Systems LLC. All rights reserved. ZODIAC® is a registered trademark of Zodiac International, S.A.S.U., used under license. All other trademarks are the property of their respective owners.  
H0613500\_REVG



ETL LISTED  
CONFORMS TO  
UL STD 1081  
Certified to  
CAN/CSA C22.2  
No. 218.1







# MANUEL D'INSTALLATION ET DE FONCTIONNEMENT

FRANÇAIS



Zodiac Pool Systems LLC  
2882 Whiptail Loop # 100 Carlsbad, CA 92010

Zodiac Pool Systems Canada, Inc.  
2-3365 Mainway, Burlington, ON L7M 1A6 Canada

Contrôle les bactéries et les algues dans l'eau de piscine des  
piscines résidentielles

N° D'ENREGISTREMENT

DOMESTIQUE LOI SUR LES PRODUITS ANTIPARASITAIRES 32473

## **⚠ AVERTISSEMENT**

L'opération des modèles Jandy TruClear™ sans circulation d'eau dans la cellule peut causer une accumulation de gaz inflammables pouvant entraîner un INCENDIE OU EXPLOSION. LIRE L'ÉTIQUETTE ET LE MANUEL DE FONCTIONNEMENT AVANT D'UTILISER. GARDER HORS DE PORTÉE DES ENFANTS.

# Jandy TruClear™

## Systeme de génération de chlore

## **⚠ AVERTISSEMENT**

**POUR VOTRE SÉCURITÉ**, ce produit doit être installé et entretenu par un entrepreneur disposant d'une licence et qui est qualifié en équipements de piscine par la juridiction dans laquelle le produit est installé lorsque de telles exigences provinciales ou locales existent. L'agent d'entretien doit être un professionnel disposant de suffisamment d'expérience dans l'installation et l'entretien des équipements de piscine afin de s'assurer que toutes les directives du présent manuel sont scrupuleusement respectées. Avant d'installer ce produit, lire et suivre tous les avertissements et toutes les directives qui accompagnent ce produit. Dans le cas contraire, des dommages matériels ou des blessures, possiblement mortelles, peuvent survenir. Une mauvaise installation et/ou un mauvais fonctionnement annulent la garantie.



Une mauvaise installation et/ou un mauvais fonctionnement peuvent engendrer un danger électrique pouvant entraîner des dommages matériels ou des blessures graves, voire mortelles.

**À L'ATTENTION DE L'INSTALLATEUR** - Ce manuel contient des informations importantes sur l'installation, le fonctionnement et l'utilisation sécuritaire de ce produit. Cette information doit être remise au propriétaire ou à l'exploitant de cet équipement.

**Protection contre les surintensités maximum – 15 A****Utiliser uniquement des conducteurs en cuivre****Débrancher l'alimentation avant d'ouvrir la porte de service****Pour utilisation en intérieur ou extérieur****Exigences électriques : 120/240 V c.a. 50/60 Hz****3 FILS, 4/2 A****La sortie maximale de l'acide hypochloreux est équivalente****à 442 g de chlore libre disponible par jour****3 000 parties par million de sel****Le volume d'eau maximal pouvant être traité avec une unité de****TruClear est de 132 000 litres (35 000 gallons) (132 m<sup>3</sup>)****Pour les piscines, une plage de 1 à 3 ppm de chlore libre disponible  
doit être maintenue****Contrôle les bactéries et les algues dans l'eau de piscine****N'utilisez pas cet appareil avec des produits à base de bromure****Intertek**

ETL CONFORME  
À LA NORME  
UL 1081  
Certifié selon  
CAN/CSA C22.2  
N° 218.1



Certified to  
NSF/ANSI Standard 50

---

## Avis à l'utilisateur

Ce produit de lutte antiparasitaire doit être employé conformément aux directives sur l'étiquette. C'est une infraction en vertu de la Loi sur les produits antiparasitaires d'utiliser ce produit de manière inconsistante avec les directives sur l'étiquette. L'utilisateur assume le risque aux personnes ou au matériel en lien avec l'utilisation d'un tel produit.

## Table des matières

<b>Section 1. Consignes de sécurité importantes .....</b>	<b>36</b>	<b>Section 5. Mode d'emploi.....</b>	<b>53</b>
1.1 Consignes de sécurité .....	36	5.1 Activation/désactivation du bloc d'alimentation (Manuellement) .....	53
<b>Section 2. Description générale .....</b>	<b>40</b>	5.2 Sélectionner la langue .....	53
2.1 Caractéristiques du produit .....	40	5.3 Activation/désactivation du bloc d'alimentation (avec la minuterie externe de la pompe) .....	53
2.2 Contenu du produit.....	41	5.4 Niveau de production du chlore.....	53
<b>Section 3. Directives d'installation.....</b>	<b>42</b>	5.5 Mode SURDOSE/RÉDUIT .....	55
3.1 Matériaux et outils .....	42	5.6 Inversion de la polarité .....	55
3.2 Exigences relatives à l'installation .....	42	<b>Section 6. Entretien .....</b>	<b>56</b>
3.3 Installation du bloc d'alimentation.....	43	6.1 Hebdomadaire .....	56
3.4 Installation de la cellule .....	44	6.2 Entretien mensuel .....	56
3.5 Câblage du bloc d'alimentation à la source d'alimentation .....	45	6.3 Nettoyage de la cellule .....	56
3.6 Installer RS485 pour l'automatisation de Jandy .....	46	6.4 Préparation pour l'hiver .....	57
3.7 Lors de l'utilisation dans des installations non automatisées et avec la pompe Jandy à vitesse variable Jandy .....	48	<b>Section 7. Dépannage .....</b>	<b>58</b>
3.8 Liaison électrique .....	48	7.1 Problèmes et mesures correctives .....	58
3.9 Directives pour raccord de renvoi : pour système de nettoyage au sol .....	48	<b>Section 8. Affichage de lectures .....</b>	<b>61</b>
<b>Section 4. Préparation de l'eau de piscine .....</b>	<b>49</b>	8.1 Affichage de lectures et descriptions.....	61
4.1 Déterminer les dimensions de la piscine (litres) .....	49		
4.2 Déterminer les dimensions de la piscine (gallons).....	49		
4.3 Notions élémentaires de chimie .....	49		
4.4 Conditions optimales de l'eau de piscine .....	50		
4.5 Prélèvement d'un échantillon d'eau .....	51		
4.6 Sel (Chlorure de sodium NaCl) .....	51		

# Section 1. Consignes de sécurité importantes

## LIRE ET SUIVRE TOUTES LES DIRECTIVES

### 1.1 Consignes de sécurité

Le présent dispositif ne peut être utilisé que dans des piscines et des piscines avec spa intégré. Il ne peut pas être utilisé dans des spas autonomes. Tout travail en lien avec l'électricité doit être effectué par un électricien qualifié et se conformer aux codes locaux (provinciaux) et nationaux. Lors de l'installation et de l'utilisation de cet équipement électrique, les précautions de sécurité élémentaire doivent toujours être respectées, notamment :

#### AVERTISSEMENT

**ÉQUIPEMENT SOUS PRESSION** : toujours mettre la pompe hors tension avant d'installer ou d'intervenir sur le bloc d'alimentation ou la cellule. Le système de pompe/filtre fonctionne dans un environnement pressurisé. La pression doit donc être relâchée avant intervention. Consulter le manuel du propriétaire fourni avec votre pompe/filtre pour prendre connaissance des informations supplémentaires.

#### AVERTISSEMENT

Afin de réduire le risque de décharge électrique, d'incendie ou de blessure, les interventions sur l'équipement doivent uniquement être effectuées par un professionnel qualifié pour intervenir sur les équipements de piscine.

#### AVERTISSEMENT

Les systèmes de génération de chlore série Pro de Jandy sont uniquement destinés aux piscines domestiques (résidentielles). Une mauvaise utilisation peut dégrader les performances, entraîner l'annulation de la garantie et causer des dommages matériels et des blessures physiques, voire mortelles.

- Le fonctionnement d'un système de génération de chlore sans eau s'écoulant dans la cellule peut entraîner une accumulation de gaz inflammables et déclencher un incendie ou une explosion.
- Garder l'équipement hors de la portée des enfants.
- Un cordon d'alimentation endommagé doit uniquement être remplacé par le fabricant, l'agent d'entretien ou l'électricien.
- Lors de l'installation et de l'utilisation de cet équipement électrique, toujours suivre les précautions de sécurité élémentaire.
- Avant de procéder à l'installation, déconnecter toute source d'alimentation.
- Brancher l'équipement à un circuit sur lequel un différentiel est installé.
- Ne pas l'installer dans un boîtier d'extérieur ou sous les rebords d'un spa.
- Ne pas utiliser ce dispositif avec des produits contenant du bromure.

#### AVERTISSEMENT

L'installation doit se conformer au National Electrical Code® (NEC® ou NFPA-70®) aux États-Unis, au Code canadien de l'électricité (CEC ou C22.1) au Canada et/ou à tout autre code d'installation local ou national en vigueur.

**RISQUE DE DÉCHARGE ÉLECTRIQUE, D'INCENDIE, DE BLESSURE PHYSIQUE OU DE MORT.** Brancher l'équipement uniquement à un circuit de dérivation sur lequel un différentiel est installé. Contacter un électricien qualifié s'il est impossible de vérifier que le circuit est équipé d'un différentiel ou non. S'assurer qu'un tel différentiel est fourni par l'installateur et qu'il est testé quotidiennement. Pour tester le différentiel, appuyer sur le bouton de test. Le différentiel doit couper l'alimentation. Appuyer sur le bouton de remise en route. L'alimentation doit être rétablie. Si le différentiel ne fonctionne pas comme indiqué, c'est qu'il est défectueux. Si le différentiel coupe l'alimentation de la pompe sans que le bouton de test ait été enfoncé, cela indique la présence d'un courant de masse, signifiant un risque de décharge électrique. Ne pas utiliser l'appareil. Débrancher l'appareil et faire corriger le problème par un représentant de service qualifié avant toute utilisation.

Un fil de terre vert et jaune est présent à l'intérieur du bloc d'alimentation. Afin de réduire le risque de décharge électrique, relier le fil de terre avec son homologue alimentant l'unité.

#### AVERTISSEMENT

Le bloc d'alimentation doit être asservi/interconnecté à l'alimentation du moteur de la pompe de la piscine pour s'assurer que le chlorateur ne fonctionne que lorsque la pompe de piscine fonctionne. Le capteur de débit du Jandy TruClear est destiné à servir de secours seulement et ne doit pas servir comme seule source de détection de débit.

**⚠ AVERTISSEMENT**

- Le bloc d'alimentation doit être installé à au moins 0,6 m (2 pieds) verticalement du sol. Assurez-vous que le bloc d'alimentation est protégé contre l'exposition directe à l'eau provenant des gicleurs, le ruissellement de l'eau sur les toits et le drainage.
- Aux États-Unis, le bloc d'alimentation doit être installé à au moins 1,5 m (5 pi) de la paroi intérieure de votre piscine ou spa; au Canada, le bloc d'alimentation doit être installé à au moins 3 m (10 pi) de la paroi intérieure de votre piscine ou spa.
- Au Canada, la cellule électrolytique génératrice de chlore Jandy doit être installée à l'extérieur.
- Elle doit être installée à l'horizontale avec son cordon face vers le haut afin d'éviter l'accumulation de gaz inflammables pouvant déclencher un INCENDIE ou une EXPLOSION.
- La cellule doit être la dernière pièce d'équipement installée dans la plomberie du système de circulation avant la piscine.

**⚠ AVERTISSEMENT**

Cet appareil n'est pas conçu pour être utilisé par des personnes (incluant des enfants) avec des capacités physiques, sensorielles ou mentales réduites, ou qui n'ont pas assez d'expérience ou de connaissance, à moins d'être supervisées ou instruites sur l'utilisation de l'appareil par la personne responsable de leur sécurité.

**⚠ AVERTISSEMENT**

Pour réduire le risque de blessures, ne pas enlever les raccords de tuyauterie d'aspiration de votre spa ou de votre cuve thermique. Ne jamais utiliser un spa ou une cuve thermique si les raccords de tuyauterie d'aspiration sont brisés ou absents. Ne jamais remplacer un raccord de tuyauterie d'aspiration par un autre de classification inférieure au débit spécifié dans l'assemblage de l'équipement.

**⚠ AVERTISSEMENT**

**ÉVITER LE RISQUE DE NOYADE DES ENFANTS** : ne pas laisser personne, surtout des jeunes enfants, s'asseoir, mettre le pied, s'appuyer ou monter sur des appareils faisant partie du système opérationnel de la piscine. Implantez les composantes de votre système opérationnel à une distance d'au moins 1 m (3 pi) de la piscine afin que les enfants ne puissent pas utiliser l'équipement lorsqu'ils sont dans la piscine et se blesser ou se noyer.

**⚠ AVERTISSEMENT**

Une immersion prolongée dans l'eau chaude peut entraîner une hyperthermie. L'hyperthermie survient lorsque la température interne corporelle monte de plusieurs degrés au-dessus de la température normale corporelle de 37 °C (98,6 °F). Les symptômes comprennent des étourdissements, évanouissements, somnolences, léthargies et une augmentation de la température corporelle interne. Les effets de l'hyperthermie comprennent :

- Inconscience de danger imminent
- Le défaut de percevoir la chaleur
- Le défaut de reconnaître le besoin de quitter le spa
- L'incapacité physique de quitter le spa
- Lésions fœtales chez la femme enceinte
- Inconscience entraînant un risque de noyade

**⚠ AVERTISSEMENT****Pour réduire le risque de blessure -**

- La température de l'eau dans les spas ne doit jamais dépasser 40 °C (104 °F). La température de l'eau entre 38 °C (100 °F) et 40 °C (104 °F) est considérée comme sécuritaire pour un adulte en bonne santé. Une température d'eau inférieure est recommandée pour les enfants et lorsque l'utilisation du spa dépasse 10 minutes.
- Puisque les températures de l'eau excessives ont un potentiel élevé d'endommager le fœtus pendant les premiers mois de la grossesse, les femmes enceintes ou qui pensent l'être doivent limiter la température de l'eau du spa à 38 °C (100 °F).
- Avant d'entrer dans un spa ou une cuve thermique, l'utilisateur devrait vérifier la température de l'eau à l'aide d'un thermomètre précis, car la tolérance des dispositifs de régulation de température de l'eau varie.
- La consommation d'alcool, de drogues ou de médicaments avant ou pendant l'utilisation d'un spa ou d'une cuve thermique peut entraîner la perte de conscience et la possibilité de noyade.
- Les personnes obèses ou ayant des antécédents médicaux de maladie du cœur, de diabète, de problèmes circulatoires ou de pression sanguine irrégulière devraient consulter leur médecin avant d'utiliser un spa.
- Les personnes qui prennent des médicaments devraient consulter un médecin avant d'utiliser un spa ou une cuve thermique, car certains médicaments peuvent provoquer la somnolence, alors que d'autres médicaments peuvent affecter la fréquence cardiaque, la tension artérielle et la circulation.

**⚠ AVERTISSEMENT**

- Les personnes atteintes de maladies infectieuses ne devraient pas utiliser un spa ou une cuve thermale.
- Pour éviter des blessures, faire bien attention en entrant ou en sortant du spa ou de la cuve thermale.
- Ne pas consommer de drogues ou d'alcool avant ou pendant l'utilisation d'un spa ou d'une cuve thermale afin d'éviter la perte de conscience ou une possible noyade.
- Les femmes enceintes ou qui pensent l'être devraient consulter un médecin avant d'utiliser un spa ou une cuve thermale.
- Une température de l'eau supérieure à 38 °C (100 °F) peut nuire à votre santé.
- Avant d'entrer dans un spa ou une cuve thermale, vérifier la température de l'eau à l'aide d'un thermomètre précis.
- Ne pas utiliser un spa ou une cuve thermale immédiatement après avoir pratiqué une activité physique intense.
- L'immersion prolongée dans un spa ou une cuve thermale peut être nuisible à votre santé.
- Ne pas permettre l'utilisation d'appareil électrique (comme une lampe, un téléphone, un radio ou une télévision) à moins de 1,5 m (5 pi) d'un spa ou d'une cuve thermale.
- L'utilisation de l'alcool, des drogues ou des médicaments peut augmenter considérablement le risque d'hyperthermie mortelle dans les spas ou les cuves thermales.

**⚠ MISE EN GARDE**

Ce dispositif est conçu pour être utilisé avec des piscines permanentes et peut aussi être utilisé dans les cuves thermales et les spas, si indiqué. Ne pas utiliser dans des piscines amovibles ou des spas autonomes. Une piscine permanente est construite dans le sol, sur le sol ou dans un bâtiment, de telle manière qu'elle ne puisse pas être facilement démontée et rangée. Une piscine pouvant être rangée est construite pour qu'elle puisse être démontée facilement aux fins d'entreposage, puis remontée à son état initial.

**⚠ MISE EN GARDE**

Il est important de noter que certains matériaux utilisés dans les spas et les piscines ou à proximité de ceux-ci peuvent être incompatibles avec les produits chimiques habituellement utilisés pour purifier l'eau des spas ou des piscines (p. ex., les acides, le chlore, le sel, les stabilisants, etc.).

Zodiac Pool Systems LLC ne garantit pas que l'eau chlorée produite par le système de génération de chlore série Pro de Jandy n'endommagera ni ne détruira certains types de plante, de revêtement ou de margelle et tout autre matériau utilisé à l'intérieur ou à proximité d'une piscine ou d'un spa. Avant de sélectionner les matériaux qui seront utilisés à l'intérieur de votre piscine ou de votre spa ou à proximité de ceux-ci, veuillez discuter avec votre entrepreneur des options disponibles pour évaluer la compatibilité de tels matériaux avec les produits chimiques.

Au moment de mélanger de l'acide ou un autre produit chimique avec de l'eau, **TOUJOURS AJOUTER L'ACIDE OU LE PRODUIT CHIMIQUE À L'EAU. NE JAMAIS AJOUTER L'EAU À L'ACIDE OU AU PRODUIT CHIMIQUE.**

Quelques conseils utiles :

- Choisir des plantes qui supportent les éclaboussures d'eau de piscine contenant du chlore ou du sel et d'autres produits chimiques de purification.
- Toutes les pièces métalliques utilisées à l'intérieur ou à proximité de la piscine doivent être fabriquées en acier inoxydable de qualité supérieure.
- Sélectionner minutieusement les produits de maçonnerie. La porosité et la dureté des pierres naturelles varient grandement. Nous vous recommandons donc de discuter avec l'entrepreneur responsable des travaux de maçonnerie pour choisir la meilleure solution en ce qui concerne les pierres à utiliser autour de votre piscine ou de votre spa.
- Sceller tous les produits de maçonnerie. Les professionnels de l'industrie de la pierre précisent qu'il faut sceller même les pierres naturelles, surtout lorsqu'elles sont utilisées à l'extérieur, afin d'empêcher l'altération, le ternissement et une dégradation prématurée. Consulter l'entrepreneur responsable des travaux de maçonnerie ou de la construction de votre terrasse afin de sélectionner le scellant adéquat pour les produits de maçonnerie qui seront utilisés autour de votre piscine ou de votre spa.
- Pour obtenir les meilleurs résultats, les scellants doivent être appliqués régulièrement. Appliquer le scellant protecteur régulièrement, conformément aux instructions du fabricant.
- L'utilisation de produits chimiques autres que ceux recommandés peut être dangereuse. Suivre les directives des fabricants de produits chimiques.

**CONSERVER CES DIRECTIVES**

**⚠ AVERTISSEMENT**

Pour réduire le risque de blessures graves ou de mort, le filtre, la pompe et/ou le chlorateur ne doivent pas être soumis à un test de pressurisation du système de tuyauterie.

Les codes locaux peuvent exiger l'application d'un test de mise sous pression sur la tuyauterie de la piscine. Généralement, ces exigences ne sont pas conçues pour être appliquées à l'équipement de piscine, comme les filtres, les pompes ou les chlorateurs.

L'équipement de piscine Jandy est soumis à des tests de mise sous pression en usine.

Toutefois, s'il est impossible de se conformer à l'AVERTISSEMENT et que le test de pressurisation du système de tuyauterie doit inclure le filtre, la pompe et/ou le chlorateur, **S'ASSURER DE LA CONFORMITÉ AUX INSTRUCTIONS DE SÉCURITÉ SUIVANTES :**

- Retirer la cellule et installer le bouchon de mise sous pression, d'installation et de préparation pour l'hiver (n° réf. : R0621900) avant de faire l'essai.
- Vérifier les serre-joints, les boulons, les couvercles, les bagues de retenue et les accessoires du système pour s'assurer qu'ils sont correctement installés et fixés solidement avant d'effectuer un test.
- ENLEVER TOUT L'AIR du système avant le test. Il ne faut PAS utiliser de PRESSION D'AIR pour la réalisation du test de pression.
- La pression de l'eau pendant l'essai NE DOIT PAS DÉPASSER 2,4 BARS (35 PSI).
- La température de l'eau pendant l'essai NE DOIT PAS DÉPASSER 38 °C (100 °F).
- Limiter l'essai à 24 heures. Après le test, vérifier visuellement le système pour s'assurer qu'il est prêt à fonctionner.

Avis : ces paramètres s'appliquent à l'équipement Jandy uniquement. Pour tout équipement d'une autre marque que Jandy, consulter le fabricant.

**CONSERVER CES DIRECTIVES**



## Section 2. Description générale

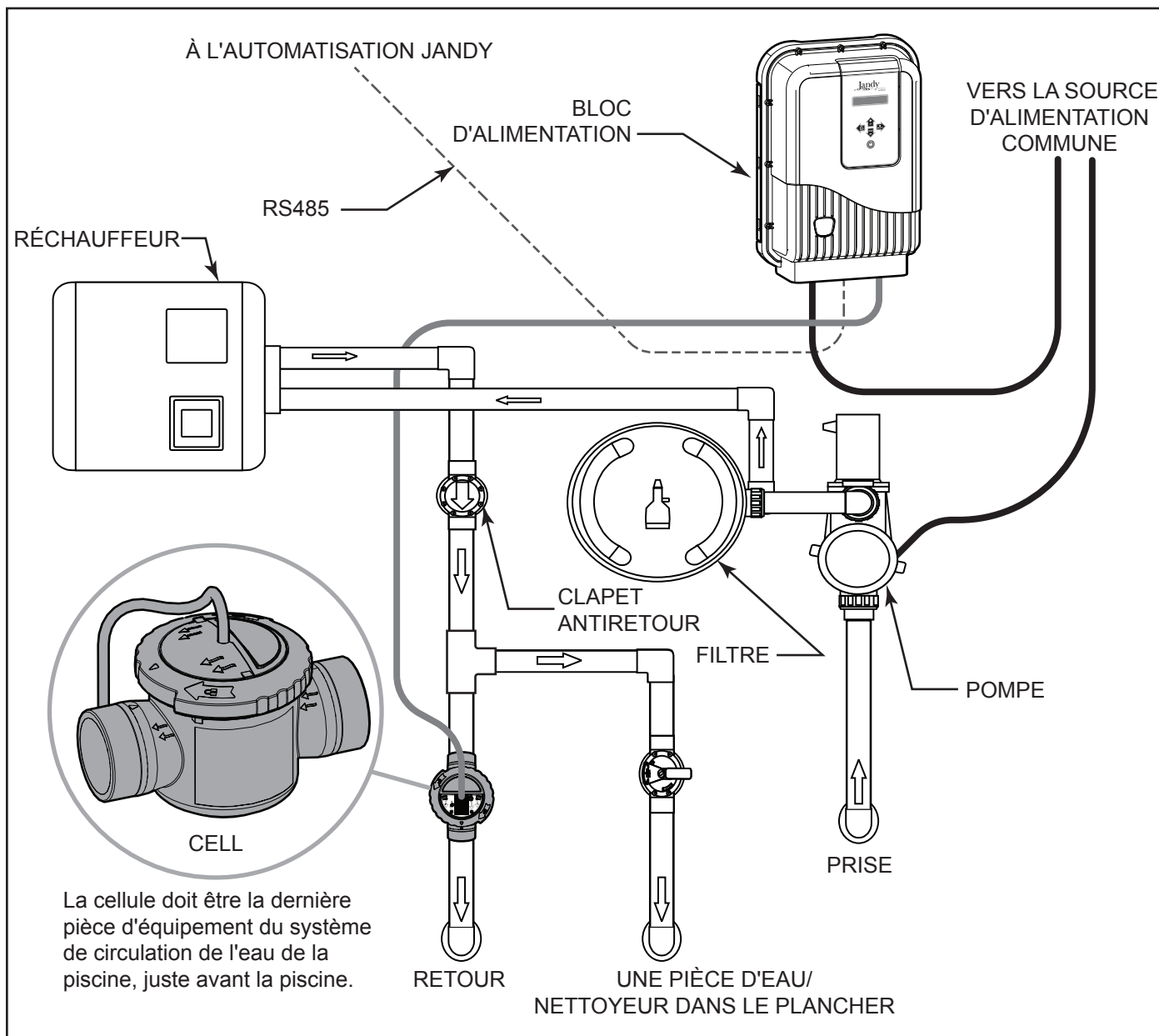


Illustration 1. Exemple d'installation

### 2.1 Caractéristiques du produit

Pression maximum de fonctionnement : 50 psi	Fréq. d'entrée : 50/60 Hz
Débit minimum : 76 l/min (20 gal/min)	Tension de sortie : 25 V c.c. (maxi.)
Niveau de sel requis : 3,0 g/l (3 000 ppm)	Dimensions :
Volume d'eau traité maximum : 132 000 l (35 000 gal)	Bloc d'alimentation (long. x larg. x haut.) : 25,4 cm x 11,4 cm x 33 cm (10 po x 4,5 po x 13 po)
Production de chlore : 18.4g/hr	Cellule électrolytique (long. x larg. x haut.) : 16,5 cm x 14 cm x 30,5 cm (6,5 po x 5,5 po x 12 po)
Tensions d'entrée : 120/240 V c.a.	<b>Poids :</b>
Courant d'entrée à 240 V c.a. : ~2 A	Bloc d'alimentation : 3,2 kg (7 lb)
Courant d'entrée à 120 V c.a. : ~4 A	Cellule électrolytique : 0,9 kg (2 lb)



## 2.2 Contenu du produit

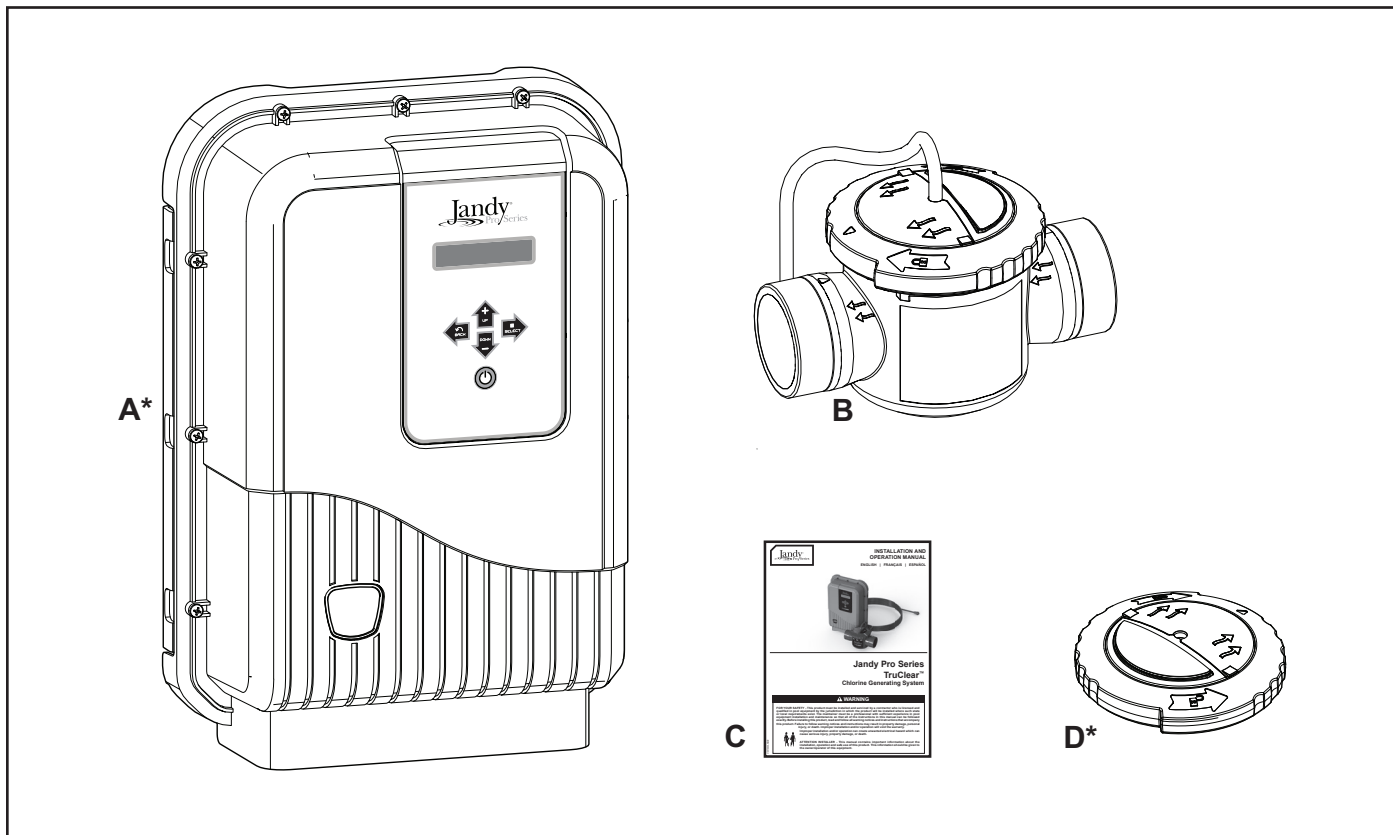


Illustration 2. Contenu de la boîte

### Articles inclus

ARTICLE	DESCRIPTION	QTÉ
A	Bloc d'alimentation	1
B	Cellule (l'article illustré est une cellule régulière. Une version avec raccords filetés est offerte)	1
C	Manuel d'installation et de fonctionnement	1

### \*Articles vendus séparément comme pièces de rechange

ARTICLE	DESCRIPTION	Référence	
D	Bouchon de mise sous pression, d'installation et de préparation pour l'hiver	R0621900	CELLULE TRUCLEAR
Non illustrée	Cellule TruClear, Remplacement (sans boîtier)	R0693900	
Non illustrée	Boîtier TruClear, Remplacement (sans cellule)	R0694000	
Non illustré	Joint torique TruClear, Remplacement	R0694100	
Non illustré	Embout de joint torique	R0449200	
A	Bloc d'alimentation	R0802200	BLOC D'ALIMENTATION
Non illustré	Couvercle de bloc d'alimentation TruClear11P, Remplacement	R0663800	
Non illustré	Circuit imprimé TruClear, Ensemble de remplacement	R0802300	
Non illustré	Jeu de vis de couvercle TruClear	R0609400	
Non illustré	Ensemble de transformateur TruClear	R0802400	

## Section 3. Directives d'installation

### ⚠ AVERTISSEMENT

**POUR VOTRE SÉCURITÉ** : le présent produit doit être installé et entretenu par un technicien professionnel, spécialisé dans l'installation et l'entretien de piscines et de spas, tel qu'il est indiqué à la page couverture du présent manuel. Les procédures indiquées dans ce manuel doivent être suivies avec précision. Dans le cas contraire, des dommages matériels ou des blessures graves, possiblement mortelles, peuvent survenir. Une mauvaise installation et/ou un mauvais fonctionnement annulent la garantie.

### ⚠ AVERTISSEMENT

**ÉQUIPEMENT SOUS PRESSION** : toujours mettre la pompe hors tension avant d'installer ou d'intervenir sur le système de génération de chlore série Pro de Jandy. Le système de pompe/filtre fonctionne dans un environnement pressurisé. La pression doit donc être relâchée avant intervention. Consulter le manuel du propriétaire fourni avec votre pompe/filtre pour prendre connaissance des informations supplémentaires.

Avant d'effectuer ces tâches, couper l'alimentation au disjoncteur principal pour éviter le risque de décharge électrique pouvant entraîner des dommages matériels, des blessures graves ou la mort.

Avant de commencer l'installation, veuillez vous assurer que vous avez les bons outils et un emplacement approprié pour l'installation du bloc d'alimentation et de la cellule. Veuillez vous assurer d'avoir lu et compris la section Consignes de sécurité importantes.

### 3.1 Matériaux et outils

#### Outils et matériaux nécessaires à l'installation

- Jeu de vis (ancrages en plastique)
- Perceuse sans fil (ou perceuse électrique)
- Foret de maçonnerie de 6 mm (15/64 po) ou foret de marteau perforateur (nécessaire uniquement pour percer dans la brique ou le béton)
- Crayon ou marqueur
- Tournevis à pointe cruciforme ou mèche à pointe cruciforme
- De la colle grise WELD-ON® 724™ CPVC est recommandée

### 3.2 Exigences relatives à l'installation

#### ⚠ AVERTISSEMENT

Au Canada, la cellule électrolytique génératrice de chlore Jandy doit être installée à l'extérieur. Elle doit être installée à l'horizontale avec son cordon face vers le haut afin d'éviter l'accumulation de gaz inflammables pouvant déclencher un INCENDIE ou une EXPLOSION.

Les exigences d'installation pour le système de génération de chlore série Pro de Jandy sont les suivantes :

- Installer le bloc d'alimentation au moins à 0,6 m (2 pi) au-dessus du sol afin de le protéger des éclaboussures d'eau sous pression, comme celles des gicleurs d'irrigation, et des impacts mécaniques et/ou des dommages. S'assurer également qu'il est hors de portée des enfants. Consulter et se conformer à tous codes et/ou règlements locaux et nationaux en vigueur conformément aux autorités compétentes au Canada (AHJ aux États-Unis).

- Aux États-Unis, le bloc d'alimentation doit être installé à au moins 1,5 m (5 pi) de la paroi intérieure de votre piscine ou spa; au Canada, le bloc d'alimentation doit être installé à au moins 3 m (10 pi) de la paroi intérieure de votre piscine ou spa.
- La cellule doit être installée sur un conduit horizontal de 0,4 m (16 po) en aval des chauffe-eau, des pompes et des filtres, en tant que la dernière pièce d'équipement de la tuyauterie de circulation. (voir l'illustration 3).
- La cellule doit être installée au maximum à 4,6 m (15 pi) du bloc d'alimentation (voir l'illustration 3).
- Il est recommandé d'installer la cellule à 25 cm (10 po) de tout coude à 90°.



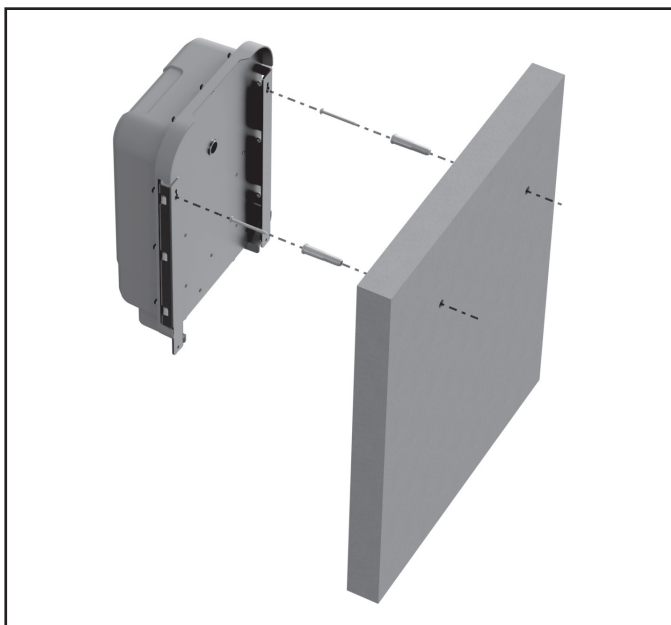
Illustration 3. Exigences relatives à l'installation

### 3.3 Installation du bloc d'alimentation

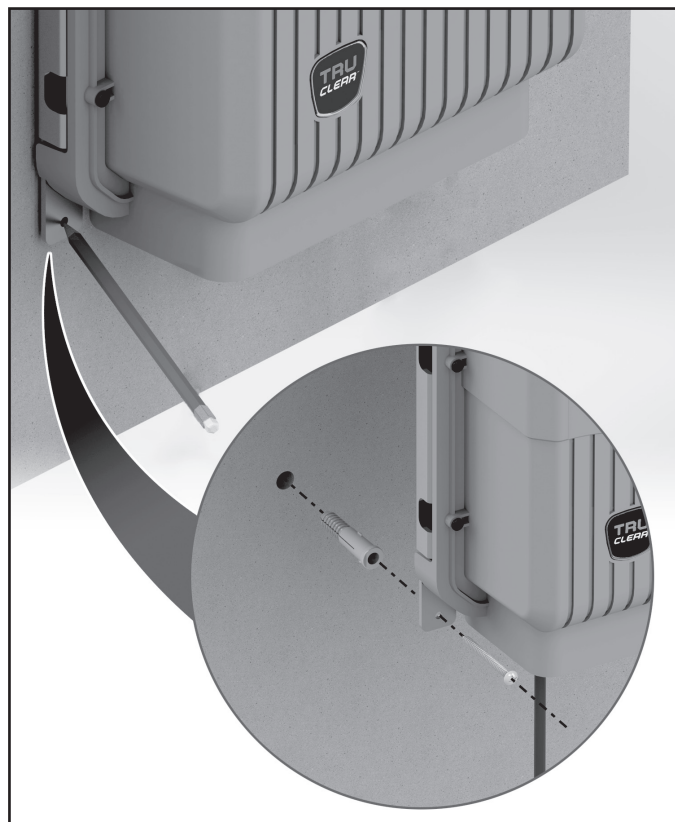
1. S'assurer que l'emplacement de la cellule et du bloc d'alimentation va satisfaire à toutes les exigences énumérées à la Section 3.2.
2. Déterminer l'emplacement souhaité sur la paroi pour fixer le bloc d'alimentation.
3. Marquer et percer les deux premiers orifices dans la paroi à l'aide du modèle dans le Guide de démarrage rapide. La distance centre à centre des deux orifices est de 25 cm (10 po). Utiliser un niveau et le gabarit pour localiser la position exacte des orifices.



4. Insérer les vis dans les orifices, puis suspendre le bloc d'alimentation depuis les deux orifices supérieurs de la plaque arrière.



5. Tandis que le bloc d'alimentation est en place, marquer l'emplacement des deux orifices inférieurs.



6. Retirer le bloc d'alimentation, percer les deux orifices inférieurs, puis positionner les ancrages de vis.
7. Fixer le bloc d'alimentation en le laissant pendre depuis les deux vis supérieures déjà en place, puis insérer les deux vis inférieures pour terminer l'installation.

#### **⚠ AVERTISSEMENT**

Pour éviter les dommages matériels, de graves blessures voire la mort, ne pas faire fonctionner la cellule électrolytique si l'eau ne circule pas ou si le boîtier de la cellule est endommagé ou mal assemblé. Une accumulation de gaz inflammables peut entraîner un INCENDIE ou une EXPLOSION. Le bloc d'alimentation doit être interconnecté à l'alimentation du moteur de la pompe de la piscine pour s'assurer que le chlorateur ne fonctionne que lorsque la pompe de piscine fonctionne. Le capteur de débit du Jandy TruClear est destiné à servir de secours seulement et ne doit pas servir comme seule source de détection de débit.

### 3.4 Installation de la cellule

#### ⚠ AVERTISSEMENT

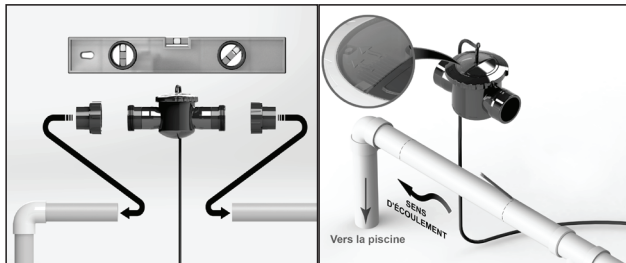
Au Canada, la cellule électrolytique génératrice de chlore Jandy doit être installée à l'extérieur. Elle doit être installée à l'horizontale avec son cordon face vers le haut afin d'éviter l'accumulation de gaz inflammables pouvant déclencher un INCENDIE ou une EXPLOSION.

#### Installation standard

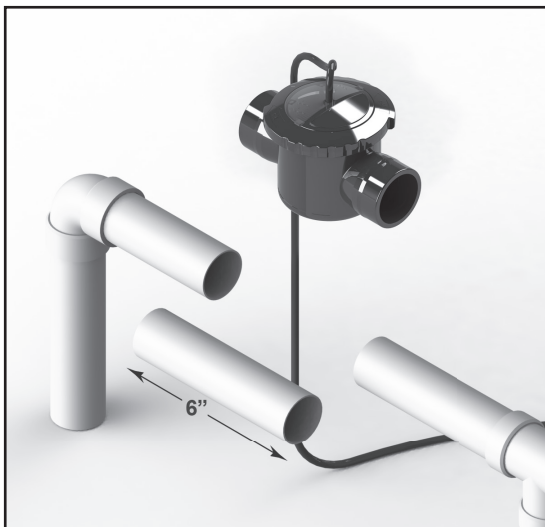
L'installation standard comprend l'installation de la plomberie au boîtier de l'appareil TruClear directement dans celle de la piscine, sans raccords filetés.

- Déterminer l'emplacement souhaité pour la cellule comme la dernière pièce d'équipement en amont du retour d'eau de la piscine, sur un tronçon de conduite d'au moins 40 cm (16 po) de longueur. La cellule doit être fixée droite sur une conduite à niveau, avec  $\pm 5^\circ$  de dénivellation. La cellule ne peut pas être fixée sur une conduite verticale ou oblique.

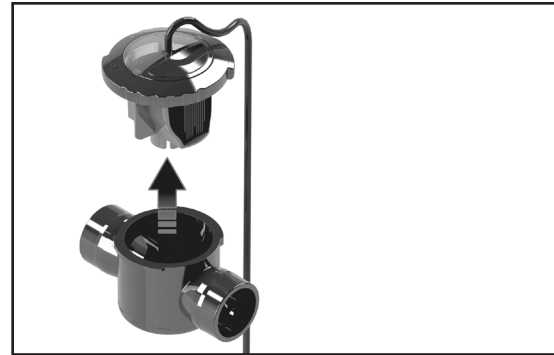
**REMARQUE** La cellule doit être installée sur une conduite horizontale de 40 cm (16 po) en aval des chauffe-eau, des pompes et des filtres, en tant que dernière pièce d'équipement de la tuyauterie de circulation avant l'admission de la piscine (voir l'illustration 1).



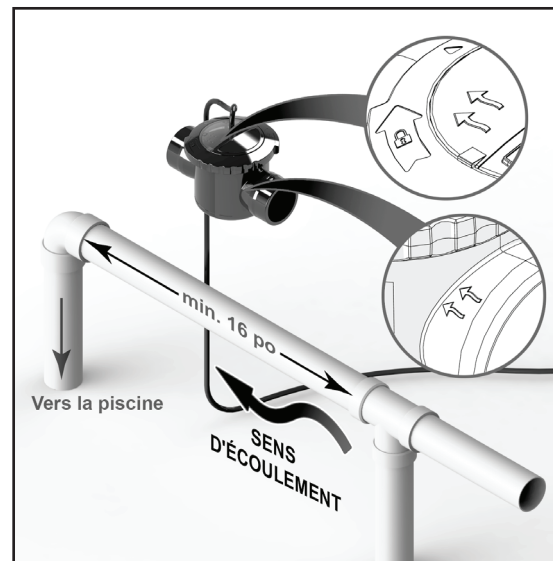
- Effectuer les coupes appropriées dans la conduite où la cellule sera installée. L'écart entre les coupes doit être de 15 cm (6 po).



- Retirer la cellule du boîtier, puis raccorder le boîtier sur la conduite en s'assurant que les flèches de l'indicateur de débit sur ce dernier correspondent à la direction de l'écoulement de l'eau. Les tuyaux doivent être propres et secs avant collage.



**REMARQUE** Si la direction de l'écoulement de l'eau ne correspond pas aux flèches sur le boîtier, la cellule ne fonctionnera pas correctement.



- Laisser le système sécher conformément aux consignes fournies par le fabricant de la colle.
- Lorsque la colle sera sèche, démarrer le système, puis vérifier le débit de l'eau. Fixer la cellule en engageant la bague de retenue et s'assurer que les flèches d'indication de l'écoulement sur le couvercle transparent correspondent aux flèches sur le boîtier de la cellule.
- Démarrer le système et vérifier le bon écoulement de l'eau.

#### ⚠ AVERTISSEMENT

Pour éviter les dommages matériels, de graves blessures voire la mort, ne pas faire fonctionner la cellule électrolytique si l'eau ne circule pas ou si le boîtier de la cellule est endommagé ou mal assemblé.

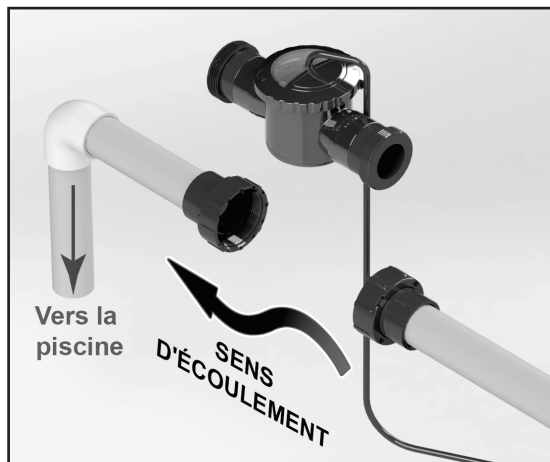
#### Installation de la mise à niveau

L'installation de la mise à niveau est un appareil TruClear conçu en usine avec des raccords filetés intégrés à son boîtier. Cette méthode peut être utilisée pour remplacer un chlorateur existant ou comme nouvelle installation.

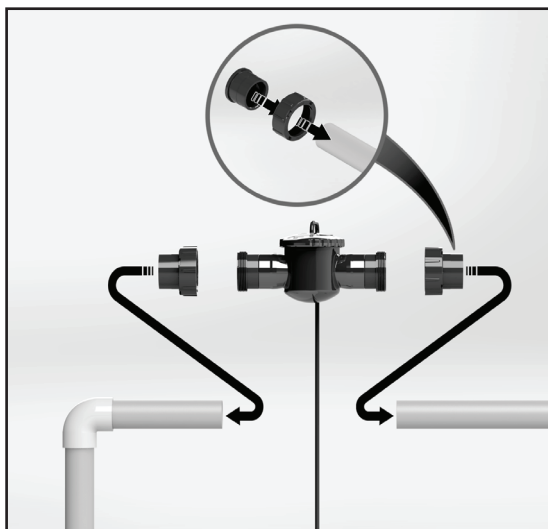
- Déterminer l'emplacement souhaité pour la cellule comme la dernière pièce d'équipement en amont du retour d'eau de la piscine, sur un tronçon de conduite d'au moins 40 cm (16 po) de longueur. La cellule doit être fixée droite sur une conduite à niveau, avec  $\pm 5^\circ$  de dénivellation. La cellule ne peut pas être fixée sur une conduite verticale ou oblique.



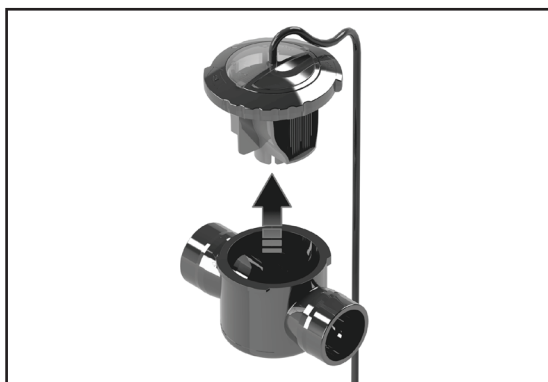
**REMARQUE** La cellule doit être installée sur une conduite horizontale de 40 cm (16 po) en aval des chauffe-eau, des pompes et des filtres, en tant que dernière pièce d'équipement de la tuyauterie de circulation juste avant la piscine (voir l'illustration 1).



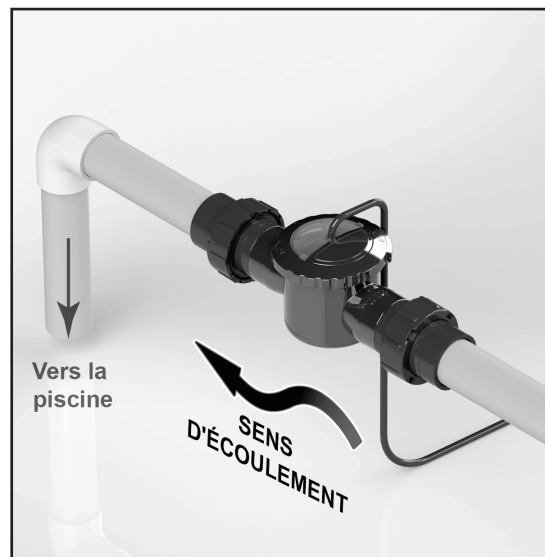
- Retirer l'équipement en place et effectuer les coupes appropriées dans la conduite où la cellule sera installée.



- Retirer la cellule du boîtier, puis raccorder le boîtier sur la conduite en s'assurant que les flèches de l'indicateur de débit sur ce dernier correspondent à la direction de l'écoulement de l'eau. Les tuyaux doivent être propres et secs avant collage.



**REMARQUE** Si la direction de l'écoulement de l'eau ne correspond pas aux flèches sur le boîtier, la cellule ne fonctionnera pas correctement.



- Laisser le système sécher conformément aux consignes fournies par le fabricant de la colle. Lorsque la colle est sèche, démarrer le système et vérifier le bon écoulement de l'eau. S'assurer que la cellule est fermée (verrouillée dans le boîtier) avant de démarrer la pompe de filtration.

#### **⚠ AVERTISSEMENT**

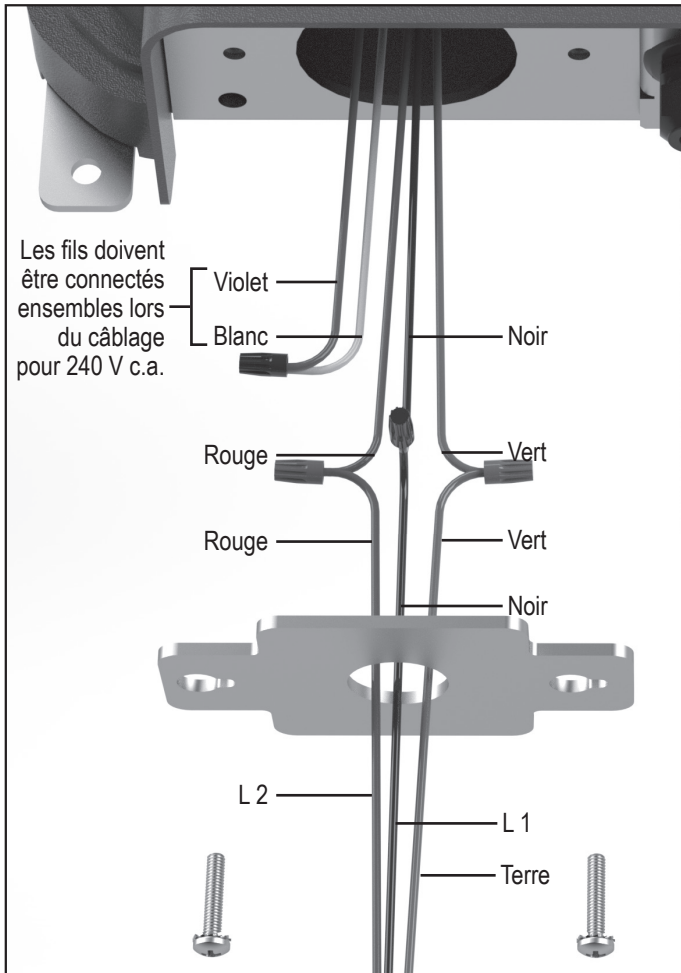
Pour éviter les dommages matériels, de graves blessures voire la mort, ne pas faire fonctionner la cellule électrolytique si l'eau ne circule pas ou si le boîtier de la cellule est endommagé ou mal assemblé.

### 3.5 Câblage du bloc d'alimentation à la source d'alimentation

#### **⚠ AVERTISSEMENT**

Lors de l'utilisation de produits électriques, des précautions élémentaires doivent toujours être suivies, entre autres :

- **DANGER : LE RISQUE DE CHOC ÉLECTRIQUE PEUT ENTRAÎNER DE GRAVES BLESSURES VOIRE LA MORT.** Avant de tenter l'installation ou l'entretien, veiller à ce que tout courant à l'appareil soit déconnecté ou éteint au disjoncteur. Raccorder uniquement à un circuit de dérivation qui est protégé par un différentiel.
- Mise à la terre requise. L'appareil doit être installé par un technicien qualifié et doit être correctement mis à la terre et lié (Voir Section 3.6 Liaison).
- Pour éviter les dommages matériels, de graves blessures voire la mort, ne jamais utiliser le panneau arrière du châssis du bloc d'alimentation pour mettre à la terre un autre équipement.
- Au moment de l'installation, laisser un espace d'accès pour l'entretien de l'appareil.
- Sélectionner un fil de champ aux dimensions appropriées, en fonction de la longueur du circuit et en conformité avec les normes d'installation en vigueur. **Le câblage doit être fait uniquement par un technicien qualifié.**

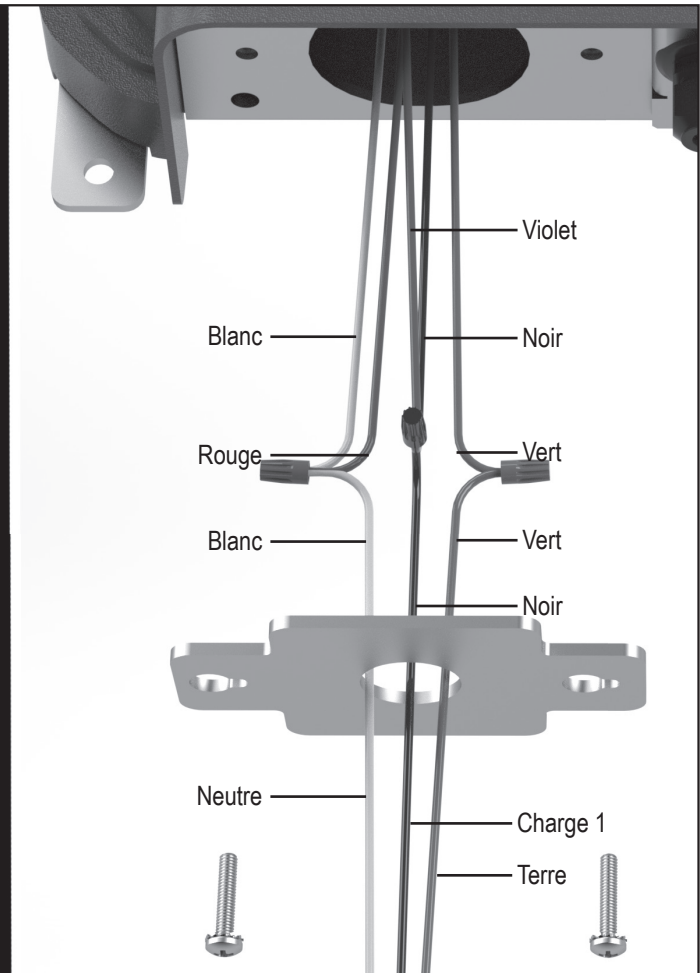


**Illustration 4. Diagramme de câblage avec une pompe à filtre 240 V c.a.**

1. Raccorder le bloc d'alimentation à la source de courant de la pompe de piscine en utilisant un fil isolé de 3,3 mm<sup>2</sup> (12 AWG) et un conduit. Raccorder le bloc d'alimentation du côté LOAD (charge) de la pompe de filtration ou du côté LOAD du relais de minuterie de pompe de piscine de manière à ce que le chlorateur puisse se mettre en marche uniquement lorsque la pompe de piscine se met en marche (voir l'illustration 4 pour 240 V c.a. et l'illustration 5 pour 120 V c.a.).
2. Retirer la plaque de raccordement électrique qui alimente le câble d'alimentation au bloc d'alimentation.
3. Faire passer le câble d'alimentation par la plaque de raccordement.
4. Raccorder le conduit à la plaque de raccordement.
5. Raccorder les fils. Remarque : Le fil vert doit être raccordé au point de mise à la terre. (Voir l'illustration 4 pour 240 V c.a. et l'illustration 5 pour 120 V c.a.).
6. Positionner les fils et les câbles à l'intérieur du bloc d'alimentation, puis fixer solidement la plaque de raccordement électrique.

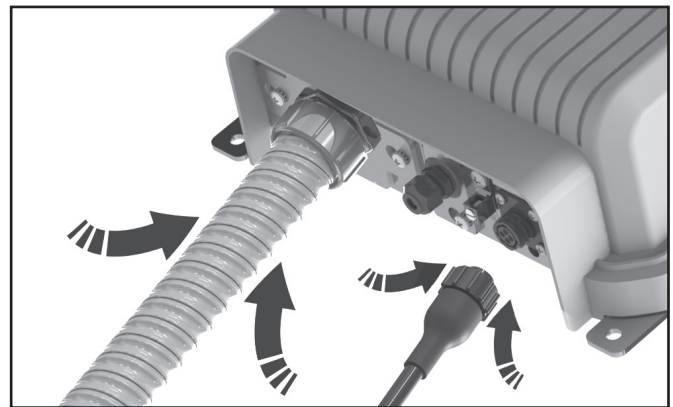
### **⚠ AVERTISSEMENT**

Sélectionner un fil de champ aux dimensions appropriées, en fonction de la longueur du circuit et en conformité avec les normes d'installation en vigueur. Le connecteur de mise à la terre doit être d'au moins 12 AWG.



**Illustration 5. Diagramme de câblage avec une pompe à filtre 120 V c.a.**

7. Brancher la cellule au bloc d'alimentation.



### **3.6 Installer RS485 pour l'automatisation de Jandy**

Le bloc d'alimentation est équipé d'un connecteur RS485 coulissant. Ce connecteur permet de relier le système de génération de chlore TruClear Jandy à un nouveau Système d'automatisation AquaLink® ou à un système préexistant.

1. Desserrer, SANS LES RETIRER, les deux vis fixant le support du connecteur RS485.
2. Faire coulisser et exposer le terminal de connexion RS485 à 4 broches.
3. Depuis un système auxiliaire ouvert du système d'automatisation, relier le câble RS485 au terminal de connexion RS485 à 4 broches.

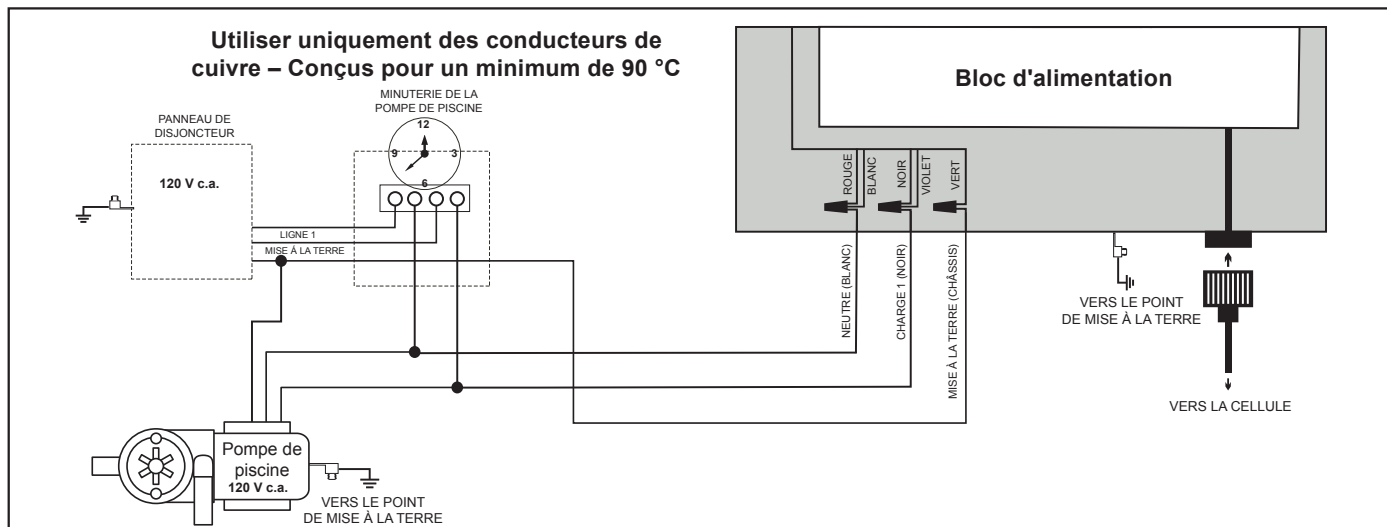


Illustration 6. Diagramme de câblage avec une pompe à filtre 120 V c.a.

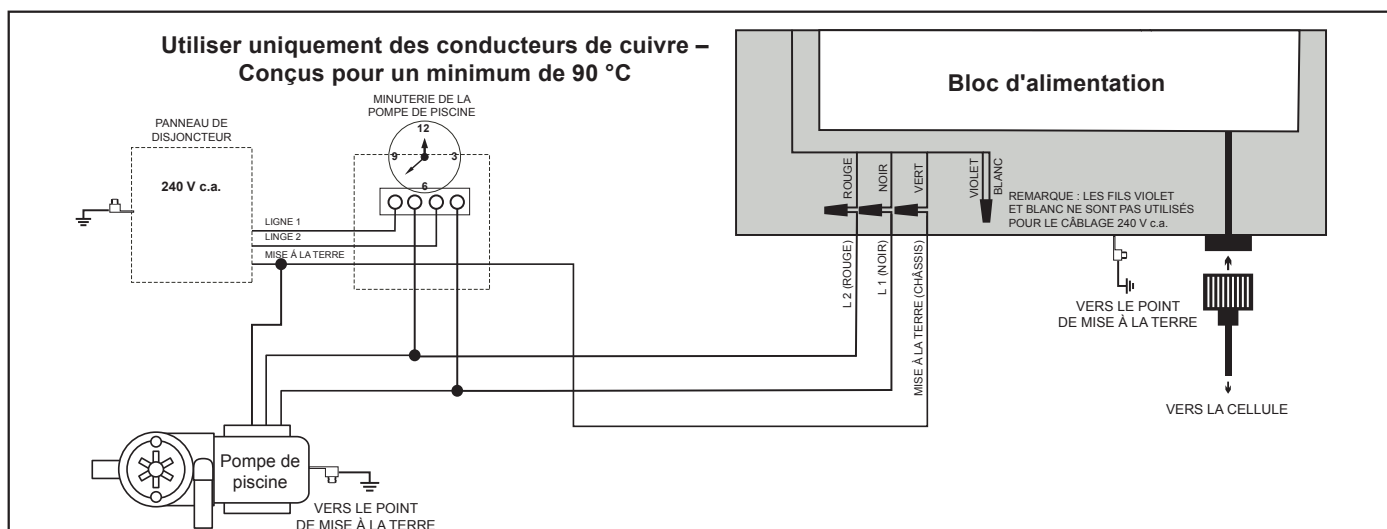
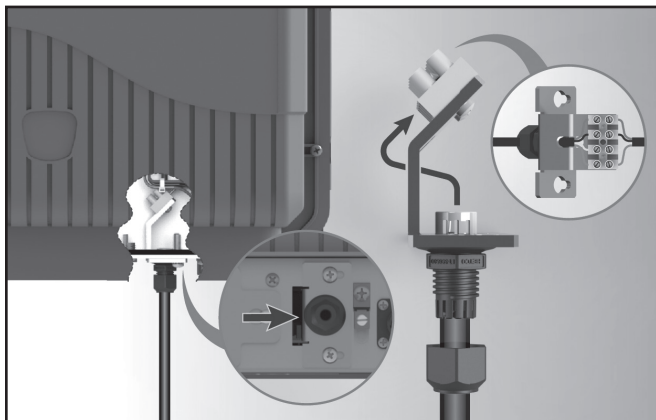


Illustration 7. Diagramme de câblage avec une pompe à filtre 240 V c.a.

4. Dévisser l'écrou de maintien des câbles, faire passer les fils RS485 au travers de ce dernier, puis le revisser.
5. Faire passer les fils au travers de la fente centrale sur le support.
6. À l'aide d'un petit tournevis à tête plate, installer les fils sur le système d'automatisation. Les couleurs de ces fils et de ceux déjà présents sur le bloc d'alimentation doivent correspondre.
7. Une fois les raccords effectués, l'interface utilisateur (IU) doit afficher la mention « Standby ».
8. Suivre les directives provenant de votre système d'automatisation pour passer à la configuration de l'appareil et à sa planification.
9. Après qu'une communication adéquate est confirmée, reposer le support de connecteur RS485 sur le corps du bloc d'alimentation.
10. Si aucune communication adéquate n'a pu être établie, recommencer cette procédure depuis l'étape 3.
11. Si la communication ne peut toujours pas être établie, appeler l'assistance technique au 800-822-7933.

**REMARQUE** TruClear ne saisit pas la salinité de votre piscine. Lorsque connecté à un système d'automatisation, le taux de salinité ciblé de 3 000 ppm s'affichera. « General Error » (Erreur générale) s'affichera si la densité de sel est basse, la température est basse ou une combinaison des deux.



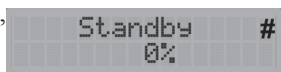
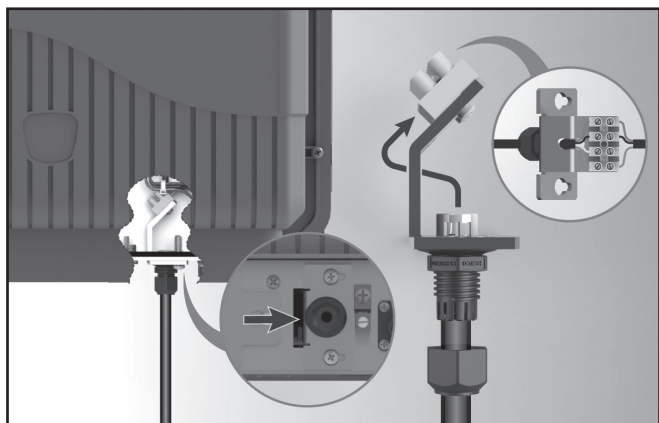


### 3.7 Lors de l'utilisation dans des installations non automatisées et avec la pompe Jandy à vitesse variable Jandy

Comme indiqué dans la Section 3.3, le bloc d'alimentation doit être interconnecté avec la source d'alimentation du moteur de la pompe de piscine pour s'assurer que le dispositif de chloration ne fonctionne que lorsque la pompe de la piscine fonctionne. Le système de chloration Jandy TruClear avec la révision F du micrologiciel ou une version ultérieure peut surveiller l'état de la pompe à vitesse variable Jandy afin que le TruClear ne fonctionne pas si la pompe à vitesse variable Jandy n'est pas en marche.

Le bloc d'alimentation est équipé d'un connecteur RS485 coulissant. Le connecteur RS485 est utilisé pour connecter le système de chloration Jandy TruClear à une pompe Jandy nouvelle ou existante à vitesse variable.

1. Desserrer, SANS LES RETIRER, les deux vis fixant le support du connecteur RS485.
2. Faire coulisser et exposer le terminal de connexion RS485 à 4 broches.
3. À partir de la pompe à vitesse variable Jandy, faites passer un câble RS485 parallèle (au contrôleur existant) vers la borne de connexion RS485 à 4 broches.
4. Dévisser l'écrou de maintien des câbles, faire passer les fils RS485 au travers de ce dernier, puis le revisser.
5. Faire passer les fils au travers de la fente centrale sur le support.
6. Utilisez un tournevis à tête plate pour installer les fils de la pompe Jandy à vitesse variable. Les couleurs de ces fils et de ceux déjà présents sur le bloc d'alimentation doivent correspondre.
7. Une fois les raccords effectués, l'interface utilisateur (IU) doit afficher la mention « Standby # ».

8. Après qu'une communication adéquate est confirmée, reposer le support de connecteur RS485 sur le corps du bloc d'alimentation.
9. Si aucune communication adéquate n'a pu être établie, recommencer cette procédure depuis l'étape 3.
10. Si la communication ne peut toujours pas être établie, appeler l'assistance technique au 800-822-7933.

### 3.8 Liaison électrique

Le National Electric Code® (NEC® aux États-Unis) ou le Code canadien de l'électricité (CEC au Canada) exige que les équipements de piscine soient liés les uns aux autres. Vérifier les codes locaux pour déterminer si les autorités compétentes (AHJ aux États-Unis) ou les autorités compétentes au Canada font respecter le NEC ou le 13,3 mm<sup>2</sup> (6AWG) selon CEC et/ou d'autres codes d'installation locaux. Il est recommandé d'utiliser un fil en cuivre massif de 8,37 mm<sup>2</sup> (8 AWG), conformément au NEC et au CEC, pour lier le bloc d'alimentation à un raccordement de liaison électrique qui est acceptable pour les AHJ locales ou les autorités compétentes au Canada. Se référer aux codes locaux afin de connaître l'épaisseur acceptable du fil de liaison électrique. Relier le point de mise à la terre situé sur la partie inférieure du panneau arrière du châssis à un point de liaison électrique commun. Ne pas utiliser le bloc d'alimentation comme point de liaison électrique commun. Chaque appareil de la piscine qui n'est pas relié et qui requiert une mise à la terre devra être relié au point de liaison électrique commun dans le respect des normes locales. Il faut effectuer une liaison électrique au bloc d'alimentation. Au Canada, le Code électrique canadien (CEC) stipule que le fil de liaison électrique doit être de calibre égal ou supérieur à 13,3 mm<sup>2</sup> (6 AWG).

Le National Electrical Code® (NEC®) exige la liaison de l'eau de la piscine. Lorsqu'aucun équipement, structure ou pièce de piscine sous douane n'est en connexion directe avec l'eau de la piscine; l'eau de la piscine doit être en contact direct avec une surface conductrice approuvée résistante à la corrosion qui expose à tout moment au moins 5800 mm<sup>2</sup> (9 po<sup>2</sup>) de surface à l'eau de la piscine. La surface conductrice doit être située là où elle n'est pas exposée à des dommages physiques ou à un délogement lors des activités habituelles de la piscine, et elle doit être collée conformément aux exigences de liaison de l'article 680 du NEC. Référez-vous à vos codes appliqués localement pour toute exigence de liaison supplémentaire.

### 3.9 Directives pour raccord de renvoi : pour système de nettoyage au sol

Si le chlorateur est utilisé avec un système de nettoyage au sol, il doit être installé sur une conduite spécialisée pour éviter d'être endommagé.

**REMARQUE** Ne pas installer le chlorateur sur les systèmes au sol qui n'ont aucun retour spécialisé pour la piscine, tel qu'il est indiqué à l'illustration 8.

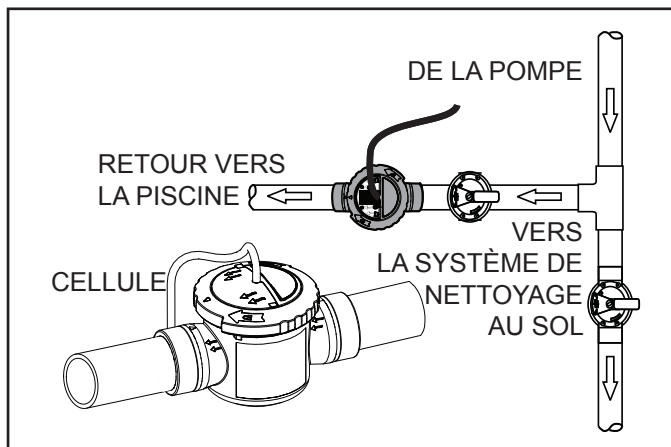


Illustration 8. Nouvelle plomberie de piscine pour systèmes dans le sol

## Section 4. Préparation de l'eau de piscine



### ATTENTION INSTALLATEUR, VEUILLEZ VÉRIFIER LA CHIMIE DE L'EAU AVANT L'UTILISATION

Veillez prendre le temps de tester la dureté totale (DT) de l'eau avant de poursuivre.

1. Sortez la bandelette-test du sachet en aluminium. Prenez garde à ne pas mettre des doigts humides dans le sachet.
2. Immergez à une profondeur de 15 cm (6 po) pendant 2 secondes. Si le test est effectué dans un spa, veillez à fermer les jets.
3. Retirer avec le tampon tourné vers le haut.
4. Secouez une fois pour enlever l'excès d'eau.
5. Attendez 10 secondes.
6. Comparez la couleur de la bandelette-test avec le tableau de couleurs imprimé inclus dans le sachet de la bandelette-test.

La plage idéale est entre 200 et 400. Si votre DT mesure plus de 800, vous devez ajuster la chimie de l'eau avant de faire fonctionner la cellule. Une mauvaise chimie entraînera la calcification rapide et la défaillance de la cellule électrolytique.

### 4.1 Déterminer les dimensions de la piscine (litres)

- **Piscines rectangulaires**  
Longueur (mètres) x largeur (mètres) x profondeur moyenne (mètres) x 1 000 = volume en litres.
- **Piscines circulaires**  
Rayon (mètres) x rayon (mètres) x 3,14 x profondeur moyenne (mètres) x 1 000 = volume en litres.

**REMARQUE** Lors du premier démarrage d'une piscine, il est préférable de choquer en utilisant une autre source, p. ex. utiliser un traitement de choc disponible chez votre fournisseur local.

- **Piscines ovales**  
Court rayon (mètres) x long rayon (mètres) x 3,14 x profondeur moyenne (mètres) x 1 000 = volume en litres.

### 4.2 Déterminer les dimensions de la piscine (gallons)

- **Piscines rectangulaires**  
Longueur (pieds) x largeur (pieds) x profondeur moyenne (pieds) x 7,5 = volume en gallons (américains).
- **Piscines circulaires**  
Rayon (pieds) x rayons (pieds) x 3,14 x profondeur moyenne (pieds) x 7,5 = volume en gallons (américains).
- **Piscines ovales**  
Long rayon (pieds) x court rayon (pieds) x 3,14 x profondeur moyenne (pieds) x 7,5 = volume en gallons (américains).

### 4.3 Notions élémentaires de chimie

- **Un stabilisateur de chlore** (acide cyanurique) est requis pour maintenir la concentration de chlore à des niveaux adéquats. Le chlore non stabilisé est détruit en grande partie par les rayons ultraviolets du soleil dans les 2 heures. Le stabilisateur de chlore doit être maintenu à une concentration de 30 à 50 ppm. L'ajout d'un stabilisateur de chlore n'est pas nécessaire dans les piscines intérieures.
- **Les nitrates** peuvent générer une consommation de chlore extrêmement élevée et faire baisser la concentration de chlore dans votre piscine. Dans certains cas, les nitrates peuvent même réduire la concentration de chlore à zéro. Un spécialiste en piscines de votre région peut tester l'eau pour détecter les nitrates. S'assurer qu'il n'y a aucun nitrate dans l'eau de votre piscine.
- **Les métaux** (certains métaux) peuvent faire baisser les concentrations de chlore et tacher votre piscine. Un spécialiste en piscines de votre région pourra faire un test de détection des métaux et recommander des méthodes pour les éliminer.
- L'eau de la piscine ne doit pas contenir de **chloramines**. Lorsque des substances organiques se combinent avec du chlore libre, des chloramines se forment. Ceci emprisonne le chlore libre présent dans la piscine et empêche le chlore de désinfecter l'eau. Les chloramines rendent aussi l'eau trouble et brûlent les yeux. Effectuer une chloration-choc pour éliminer les chloramines avant la mise en service de la piscine.

- **La chloration-choc ou la surchloration** améliore la capacité du chlore à oxyder les déchets organiques en éliminant le chlore combiné (CC). Pour mesurer le chlore combiné (CC), soustraire le chlore libre (CL) du chlore total (CT). ( $CT - CL = CC$ ). Pour déterminer l'ampleur du traitement-choc (chlore à dissolution rapide) nécessaire à votre piscine, vous devrez calculer le point critique du chlore (PCC). Pour déterminer le point critique du chlore (PCC) nécessaire, multiplier le niveau de chlore combiné (CC) par 10. Puis, soustraire le niveau de chlore libre (CL).

Voici la formule :

point critique du chlore (PCC) =  $([CC \times 10] - CL)$ ,  
par exemple : si  $CL = 1,0$  ppm, et si  $CC = 0,7$  ppm, le PCC est de 6,0 ppm. Formule :  $([0,7 \times 10] - 1,0) = 6,0$

Votre spécialiste en piscines de votre région peut aider à effectuer ce calcul ou fournir une trousse d'analyses contenant ces informations. Le fonctionnement de l'appareil à plein régime pendant 24 heures permet également d'atteindre la chloration au point critique. Si la clarté de l'eau est affectée ou qu'il y a une présence d'algues persistante, le concessionnaire de piscines de votre région peut suggérer des mesures complémentaires pour assainir l'eau de la piscine et éliminer les chloramines.

L'équilibre approprié de l'eau est un facteur clé dans l'appréciation de la piscine ou du spa et l'assurance d'une longue durée de vie de la cellule.

- Le pH de l'eau de la piscine ou du spa permet de savoir si l'eau est acide ou si elle favorise la formation de tartre. L'eau froide est généralement plus acide, alors que l'eau chaude favorise la formation de tartre. La plage idéale du pH dans une piscine ou un spa est de 7,4 à 7,6, indépendamment de la température. Si le niveau de pH monte au-dessus de 7,6 et que le chlorateur fonctionne, le calcium dans l'eau peut recouvrir les plaques métalliques dans la cellule. Cela peut limiter l'écoulement d'eau et l'efficacité de la cellule, ce qui peut endommager la cellule. Si le niveau de pH descend en dessous de 7,4, l'eau devient plus acide et dissoudra les composants métalliques dans la tuyauterie de la piscine, ainsi que les plaques métalliques dans la cellule, qui sont une cible de choix.
- **Matières dissoutes totales (MDT)** L'addition de sel à l'eau de la piscine augmente la teneur en MDT. Bien que l'ajout de sel pour faciliter l'action du chlorateur n'ait pas d'effet néfaste sur la composition chimique ou la limpidité de l'eau de la piscine, vous devrez en informer le spécialiste en piscines qui mesure les matières dissoutes totales. La personne qui mesure les matières dissoutes totales soustraira alors la teneur en sel pour obtenir le bon niveau de matières dissoutes totales.

- **La nouvelle eau de piscine** dans une piscine récemment remplie ou remise à neuf peut contenir des matières indésirables qui peuvent gêner le bon fonctionnement du chlorateur pour eau salée. Faites analyser et équilibrer l'eau de la piscine par un spécialiste en piscines avant de faire fonctionner le chlorateur. Les nouvelles piscines en plâtre ont une demande constante en acide pendant six (6) mois. Faire plusieurs analyses et maintenir un niveau approprié de pH pour éviter la formation de tartre sur la cellule.
- **L'indice de saturation de Langelier** est une méthode standard pour déterminer la propension de votre eau de piscine à la corrosion et à l'entartrage. PH, l'alcalinité totale (AT), température, dureté calcique (DC) et matières dissoutes totales (MDT) jouent un rôle dans la corrosion ou la formation de tartre dans l'eau.

**REMARQUE** Lors du premier démarrage d'une piscine, il est préférable de choquer en utilisant une autre source, p. ex. utiliser un traitement de choc disponible chez votre fournisseur local.

**Indice de saturation = pH + AF + CF + TF -12.1\***

Facteur A=(AF), Facteur C=(CF), Facteur T=(TF)

Alcalinité totale		Dureté calcique		Température	
Facteur A		Facteur C		Facteur T	
PPM	Valeur du facteur	PPM	Valeur du facteur	°F	Valeur du facteur
5	= 0,7	5	= 0,9	32	= 0,0
25	= 1,4	25	= 1,0	37	= 0,1
50	= 1,7	50	= 1,3	46	= 0,2
75	= 1,9	75	= 1,5	53	= 0,3
100	= 2,0	100	= 1,6	60	= 0,4
150	= 2,2	150	= 1,8	66	= 0,5
200	= 2,3	200	= 1,9	76	= 0,6
300	= 2,5	300	= 2,1	84	= 0,7
400	= 2,6	400	= 2,2	94	= 0,8
800	= 2,9	800	= 2,5	105	= 0,9

Un indice de saturation de 0 est parfaitement équilibré  
 Un indice de saturation négatif a des tendances corrosives  
 Un indice de saturation positif a des tendances d'entartrage  
 Un indice de saturation de +0,3 ou - 0,3 est parfaitement équilibré  
 \*-12,1 devrait être modifié à -12,2 si les matières dissoutes totales (MTD) mesurent 1 000 ppm ou plus

#### 4.4 Conditions optimales de l'eau de piscine

Conformément aux normes de l'Association des professionnels de piscine et de spa (Association of Pool and Spa Professionals® – APSP®), nous recommandons de toujours maintenir la condition optimale de l'eau afin de protéger le fini et l'équipement de piscine et d'assurer la limpidité de l'eau. Le fonctionnement des produits série Pro de Jandy est garanti uniquement si ces conditions sont remplies :



**Sans chlore** : un niveau idéal se situe entre 1,0 et 3,0 ppm.

**Chlore combiné (chloramines)** : aucun. Utiliser une chloration-choc (chlore à dissolution rapide pour supprimer toutes les chloramines).

**pH** : de 7,4 à 7,6 (utilisation d'acide chlorhydrique pour abaisser le pH et de carbonate de sodium pour augmenter le pH).

**Stabilisateur de chlore (acide cyanurique)** : de 30 à 50 ppm (pour les piscines extérieures uniquement).

**Alcalinité totale** : 80 - 120 ppm (É.-U.); 100 - 120 ppm (Canada)

**Dureté calcique** : 200 à 400 ppm

**Métaux (fer, manganèse)** : aucun

**Nitrates** : aucun

**Phosphates** : aucun

**Température** : au-dessus de 16 °C (60 °F)

#### 4.5 Prélèvement d'un échantillon d'eau

Pour prélever un échantillon d'eau à l'aide d'une trousse d'analyses à domicile ou pour le faire analyser par le concessionnaire de piscines de votre région, certaines bonnes pratiques sont recommandées.

- Ne jamais utiliser de récipient en verre à proximité de la piscine.
- Choisir un emplacement très éloigné des raccords de retour qui retournent l'eau à la piscine.
- Prendre le récipient et le renverser pour emprisonner l'air, puis le remettre debout, 46 cm (18 po) sous la surface de l'eau. Remonter le récipient à la surface, puis mettre le bouchon sur le récipient.

#### 4.6 Sel (Chlorure de sodium NaCl)

##### Quand ajouter du sel

Ajouter du sel à la piscine si le niveau de sel est trop faible (voir Tableau 1).

Il est recommandé d'attendre au moins 30 jours avant d'ajouter du sel dans une nouvelle piscine en béton ou dans une piscine dont la surface a été refaite (la surface

doit durcir complètement). Ne pas faire fonctionner le chlorateur à ce moment-ci. Chlorer la piscine manuellement. Communiquer avec le concessionnaire pour obtenir des recommandations. Suivre les consignes du fabricant de surface de la piscine pour votre modèle de piscine. Dans le cas des piscines en vinyle ou en fibre de verre, le sel peut être ajouté à la mise en service.

##### Type de sel à utiliser

- Plus le sel est pur, plus la durée de vie et la performance de la cellule électrolytique sont améliorées. Utiliser un sel composé à 99,8 % ou plus de NaCl. Le meilleur sel est un sel de table raffiné, granulé et non iodé. Consulter le concessionnaire de piscines.
- Éviter d'utiliser du sel contenant des antimottants (ferrocyanure de sodium, également appelé prussiate jaune de sodium) qui pourraient décolorer les raccords et les surfaces finies de la piscine.
- Les pastilles de sel pour le traitement de l'eau sont composées de sel raffiné et comprimé. Elles sont autorisées, mais mettent plus de temps à se dissoudre.
- **Ne pas** utiliser de sel à base de chlorure de calcium. Utiliser uniquement du chlorure de sodium.
- **Ne pas** utiliser de sel gemme parce qu'il contient des impuretés insolubles qui peuvent raccourcir la durée de vie de l'appareil.

##### Quantité de sel à utiliser

Utiliser des bandelettes pour tests de salinité, un compteur de salinité/matières dissoutes totales ou toute autre méthode sûre pour tester la salinité de l'eau de piscine. Une fois que le taux existant de salinité a été déterminé, utiliser le Tableau 1 pour déterminer la quantité de sel à ajouter pour atteindre le niveau souhaité. Il faut demeurer vigilant lors de l'ajout de sel – il est plus facile d'ajouter davantage de sel que de diluer s'il y en a trop.

#### MISE EN GARDE



Il est important de noter que certains matériaux utilisés dans les spas et les piscines ou à proximité de ceux-ci peuvent être incompatibles avec les produits chimiques habituellement utilisés pour purifier l'eau des spas ou des piscines (p. ex., les acides, le chlore, le sel, les stabilisants, etc.).

Zodiac Pool Systems LLC ne garantit pas que l'eau chlorée produite par le système de génération de chlore série Pro de Jandy n'endommagera ni ne détruira certains types de plante, de revêtement ou de margelle et tout autre matériau utilisé à l'intérieur ou à proximité d'une piscine ou d'un spa. Avant de sélectionner les matériaux qui seront utilisés à l'intérieur de votre piscine ou de votre spa ou à proximité de ceux-ci, veuillez discuter avec votre entrepreneur des options disponibles pour évaluer la compatibilité de tels matériaux avec les produits chimiques. Au moment de mélanger de l'acide à de l'eau, **TOUJOURS AJOUTER L'ACIDE À L'EAU. NE JAMAIS AJOUTER L'EAU À L'ACIDE.**

Quelques conseils utiles :

- Choisir des plantes qui supportent les éclaboussures d'eau de piscine contenant du chlore ou du sel et d'autres produits chimiques de purification.
- Toutes les pièces métalliques utilisées à l'intérieur ou à proximité de la piscine doivent être fabriquées en acier inoxydable de qualité supérieure.

- Sélectionner minutieusement les produits de maçonnerie. La porosité et la dureté des pierres naturelles varient grandement. Nous vous recommandons donc de discuter avec l'entrepreneur responsable des travaux de maçonnerie pour choisir la meilleure solution en ce qui concerne les pierres à utiliser autour de votre piscine ou de votre spa.
- Sceller tous les produits de maçonnerie. Les professionnels de l'industrie de la pierre précisent qu'il faut sceller même les pierres naturelles, surtout lorsqu'elles sont utilisées à l'extérieur, afin d'empêcher l'altération, le ternissement et une dégradation prématurée. Consulter l'entrepreneur responsable des travaux de maçonnerie ou de la construction de votre terrasse afin de sélectionner le scellant adéquat pour les produits de maçonnerie qui seront utilisés autour de votre piscine ou de votre spa.
- Pour obtenir les meilleurs résultats, les scellants doivent être appliqués régulièrement. Appliquer le scellant protecteur régulièrement, conformément aux instructions du fabricant.
- L'utilisation de produits chimiques autres que ceux recommandés peut être dangereuse. Suivre les directives des fabricants de produits chimiques.

- Une teneur en sel de 3 000 ppm est recommandée pour des conditions optimales.
  - Une teneur en sel faible, inférieure à 2 500 ppm, provoquera l'usure prématurée de la cellule.
  - Une teneur en sel élevée, supérieure à 6 000 ppm pourra corroder les équipements métalliques de la piscine.
4. Utiliser le Tableau 1 pour déterminer la quantité de sel à ajouter. Il faut demeurer vigilant lors de l'ajout de sel – il est plus facile d'ajouter davantage de sel que de diluer s'il y en a trop.
  5. Diffuser le sel dans la piscine. Ne pas ajouter de sel par l'écumoire, le drain de fond ou la chambre d'équilibre. Épandre le sel autour de la piscine pour faciliter la dissolution. Faire fonctionner le système de filtrage pendant 24 heures pour assurer une distribution uniforme.
  6. Après 48 à 72 heures, vérifier si la salinité de l'eau est appropriée à l'aide de bandelettes pour tests de salinité, d'un compteur électronique ou du spécialiste en piscines de votre région.
  7. Lorsque le niveau de salinité est approprié, allumer le bloc d'alimentation. Appuyer sur les boutons   pour configurer le taux de production souhaité.

### Ajout du sel à une piscine

1. Mettre sous tension la pompe pour faire circuler l'eau de la piscine.
2. **IMPORTANT** – Éteindre le bloc d'alimentation en appuyant sur le bouton ON/OFF (marche/arrêt) et en le maintenant enfoncé pendant 6 secondes.
3. Tester la salinité de l'eau à l'aide des bandelettes pour tests de salinité, d'un compteur électronique ou du spécialiste en piscines de votre région.

**REMARQUE** Il est recommandé d'attendre au moins 30 jours avant d'ajouter du sel dans une nouvelle piscine en béton ou dans une piscine dont la surface a été refaite (la surface doit durcir complètement). Suivre les consignes du fabricant de surface de la piscine pour votre modèle de piscine. Dans le cas des piscines en vinyle ou en fibre de verre, le sel peut être ajouté à la mise en service.

**Tableau 1. Nombre approximatif de livres et de kilogrammes de sel nécessaire pour obtenir 3,0 g/l (3 000 ppm)**

Niveau de sel actuel ppm	Dimension de la piscine/du spa en gallons américains (litres)					
	10 000 gal (38 000 l)	15 000 gal (57 000 l)	20 000 gal (76 000 l)	25 000 gal (95 000 l)	30 000 gal (114 000 l)	35 000 gal (132 000 l)
0	250 lb (114 kg)	376 lb (170 kg)	501 lb (227 kg)	626 lb (284 kg)	751 lb (341 kg)	876 lb (397 kg)
250	229 lb (104 kg)	344 lb (156 kg)	459 lb (208 kg)	574 lb (260 kg)	688 lb (312 kg)	803 lb (364 kg)
500	209 lb (95 kg)	313 lb (142 kg)	417 lb (189 kg)	522 lb (237 kg)	626 lb (284 kg)	730 lb (331 kg)
750	188 lb (85 kg)	282 lb (128 kg)	376 lb (170 kg)	469 lb (213 kg)	563 lb (256 kg)	657 lb (298 kg)
1 000	167 lb (76 kg)	250 lb (114 kg)	334 lb (151 kg)	417 lb (189 kg)	501 lb (227 kg)	584 lb (265 kg)
1 250	146 lb (66 kg)	219 lb (99 kg)	292 lb (132 kg)	365 lb (166 kg)	438 lb (199 kg)	511 lb (232 kg)
1 500	125 lb (57 kg)	188 lb (85 kg)	250 lb (114 kg)	313 lb (142 kg)	376 lb (170 kg)	438 lb (199 kg)
1 750	104 lb (47 kg)	156 lb (71 kg)	209 lb (95 kg)	261 lb (118 kg)	313 lb (142 kg)	365 lb (166 kg)
2 000	83 lb (38 kg)	125 lb (57 kg)	167 lb (76 kg)	209 lb (95 kg)	250 lb (114 kg)	292 lb (132 kg)
2 250	63 lb (28 kg)	94 lb (43 kg)	125 lb (57 kg)	156 lb (71 kg)	188 lb (85 kg)	219 lb (99 kg)
2 500	42 lb (19 kg)	63 lb (28 kg)	83 lb (38 kg)	104 lb (47 kg)	125 lb (57 kg)	146 lb (66 kg)
2 750	21 lb (9 kg)	31 lb (14 kg)	42 lb (19 kg)	52 lb (24 kg)	63 lb (28 kg)	73 lb (33 kg)
3 000	Optimal	Optimal	Optimal	Optimal	Optimal	Optimal


**Tableau 2. Nombre approximatif de livres et de kilogrammes de stabilisant nécessaire pour obtenir une concentration de 50 ppm**

Niveau actuel de l'acide cyanurique – ppm	Dimension de la piscine/du spa en gallons américains (litres)											
	10 000 gal (38 000 l)		15 000 gal (57 000 l)		20 000 gal (76 000 l)		25 000 gal (95 000 l)		30 000 gal (114 000 l)		35 000 gal (132 000 l)	
0	(4,2 lb)	1,9 kg	(6,3 lb)	2,9 kg	(8,4 lb)	3,8 kg	(10,5 lb)	4,8 kg	(12,6 lb)	5,7 kg	(14,8 lb)	6,7 kg
10	(3,4 lb)	1,5 kg	(5,1 lb)	2,3 kg	(6,7 lb)	3,1 kg	(8,4 lb)	3,8 kg	(10,1 lb)	4,6 kg	(11,8 lb)	5,4 kg
20	(2,5 lb)	1,1 kg	(3,8 lb)	1,7 kg	(5,1 lb)	2,3 kg	(6,3 lb)	2,9 kg	(7,6 lb)	3,4 kg	(8,9 lb)	4 kg
30	(1,7 lb)	0,8 kg	(2,5 lb)	1,2 kg	(3,4 lb)	1,5 kg	(4,2 lb)	1,9 kg	(5,1 lb)	2,3 kg	(5,9 lb)	2,7 kg
40	(0,8 lb)	0,4 kg	(1,3 lb)	0,6 kg	(1,7 lb)	0,8 kg	(2,1 lb)	1 kg	(2,5 lb)	1,2 kg	(3 lb)	1,3 kg

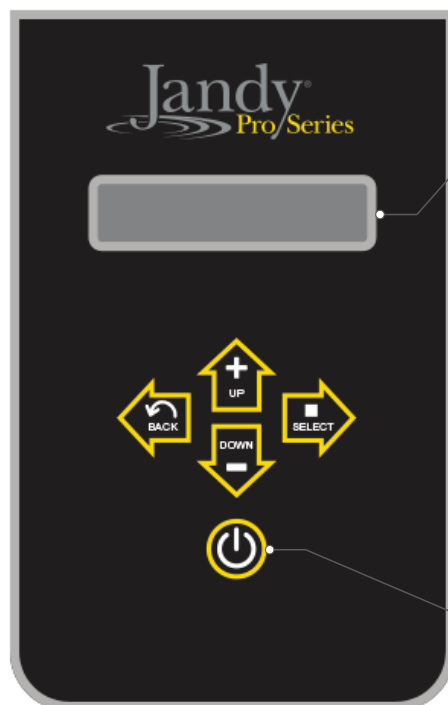
**REMARQUE** L'ajout d'un stabilisateur de chlore n'est pas nécessaire dans les piscines intérieures.

## Section 5. Mode d'emploi

### 5.1 Activation/désactivation du bloc d'alimentation (Manuellement)

Pour allumer ou éteindre le système de génération de chlore série Pro de Jandy, appuyer sur le bouton . Un appui rapide placera le chlorateur en mode « standby ». En mode « standby », un appui rapide le retournera en mode « chloration ». Un appui maintenu pendant 6 secondes l'éteindra complètement.

**REMARQUE** Puisque le bloc d'alimentation est raccordé à la source d'alimentation de la pompe, il est possible de mettre en marche le bloc d'alimentation uniquement lorsque la pompe est en marche.



#### • AFFICHAGE

Affiche l'état du système TruClear™ et la production de chlore en pourcentage.

Standby  
0%

Indique que le système TruClear est en mode d'attente et ne produit pas de chlore même si la pompe de filtration est en fonctionnement.

Starting...

Indique que le système TruClear a détecté une activation de la pompe de filtration et a lancé la production de chlore.

Chlorinating  
10%

Indique que le système TruClear est actuellement en train de produire du chlore et affiche le dosage actuel en pourcentage.

Standby  
0%

Indique que le système TruClear est connecté à un système d'automatisation à distance par RS485\*.

Appuyez pour mettre le système sous tension. Maintenez enfoncé pendant 6 secondes pour mettre le système complètement hors tension. Une seule pression rapide bascule le système du mode En attente au mode Automatique lorsqu'il n'est pas connecté à un système d'automatisation à distance par RS485\*.



Lors du fonctionnement normal, les flèches vers le haut et vers le bas permettent de régler le dosage du chlorateur.



Le dosage doit être réglé de sorte à atteindre un taux de résidus de chlore de l'ordre de 2 à 4 ppm.






Le bouton retour/ sauvegarde enregistre toutes les modifications que vous avez apportées au menu avant de vous renvoyer à l'écran de menu précédent. Le bouton de sélection fait défiler tous les paramètres disponibles, et permet d'y accéder, afin de pouvoir les modifier.

\*Lorsqu'une connexion à un système d'automatisation par RS485 est mise en place, la commande complète du système TruClear se fait au travers du contrôleur d'automatisation. Aucune fonctionnalité ne sera plus présente sur l'IU TruClear. Dans le but de commander l'appareil TruClear depuis l'IU, le système d'automatisation doit d'abord être paramétré en mode de service. Pour des informations détaillées concernant le mode de service, consulter le manuel de fonctionnement afférent au contrôleur utilisé, comme suit :

• Aqualink® RS : 6594 • Z4 : H0386500 • PDA : H0572300

### 5.2 Sélectionner la langue

Appuyer et tenir les boutons  simultanément pendant 5 secondes pour ouvrir le menu d'entretien. Utiliser le bouton  pour sélectionner la langue. Appuyer sur le  bouton pour quitter lorsque votre choix est fait.

AMER US English  
Cyc=5h Days=0000

### 5.3 Activation/désactivation du bloc d'alimentation (avec la minuterie externe de la pompe)

Si le bloc d'alimentation est raccordé à la minuterie extérieure de la pompe et que le bloc d'alimentation est sous tension, le bloc d'alimentation s'allumera et s'éteindra automatiquement lorsque la pompe est allumée ou éteinte (voir Section 3.5). Lorsque le bloc d'alimentation est raccordé de cette façon, le seul réglage qui doit être effectué manuellement est le niveau de la production de chlore (voir Section 5.4).

### 5.4 Niveau de production du chlore

Lors de la configuration du niveau de production de chlore, les facteurs à prendre en compte sont :

- Nombre de gallons d'eau dans la piscine
- Nombre de baigneurs (charge de baigneurs)
- Quantité de pollen et de poussière se retrouvant dans l'eau
- Nombre d'heures de fonctionnement de la pompe
- Utilisation d'une pompe à vitesse fixe ou variable
- Climat et température de l'eau
- Quantité d'eau de pluie introduite

Les piscines d'une capacité inférieure ou égale à 15 000 gallons doivent commencer par un réglage de 40 %. Les piscines d'une capacité comprise entre 25 000 et 30 000 gallons doivent commencer par un réglage de 60 %.



Si ces niveaux ne fournissent pas entre 1 et 3 ppm de résidus de chlore souhaités, il faut alors augmenter le niveau de production pour compenser.

Si le niveau de production se rapproche de 90 % à 100 % et que l'analyse de l'eau de la piscine n'indique qu'une très faible teneur en chlore résiduel, la piscine peut nécessiter une chloration-choc manuelle en raison d'une charge de déchets qui s'est accumulée dans l'eau de la piscine, créant ainsi une charge trop importante pour le chlore fourni à la piscine. Une autre cause peut être le manque d'acide cyanurique (ACY) à un niveau approprié pour protéger le chlore contre les rayons UV du soleil.

**REMARQUE** L'appareil fonctionne uniquement lorsque la pompe fonctionne. Plus la pompe fonctionne longtemps, plus l'eau est chlorée.

En fonction de toutes les variables susmentionnées, cela pourrait prendre jusqu'à deux semaines avant d'atteindre un taux de production approprié dans la piscine.

Pour ajuster le niveau de la production, suivre ces étapes :

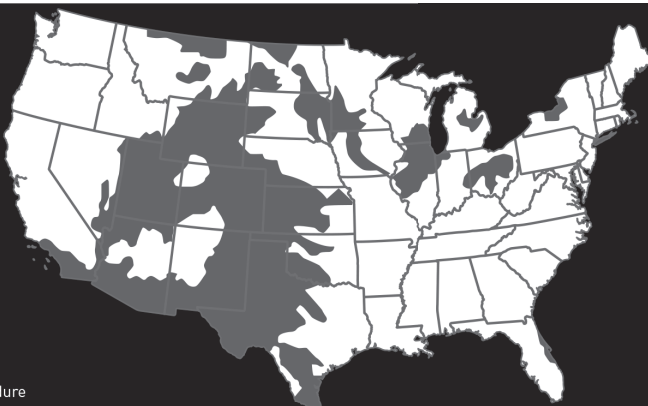
1. Éteindre le bloc d'alimentation en appuyant sur le bouton .
2. Appuyer sur les boutons  pour configurer le taux de production souhaité. Le paramètre minimum est de 10 %. La production peut être réglée en paliers de 10 % jusqu'à 100 %. Cela contrôle le temps de fonctionnement de la cellule.

### ⚠ MISE EN GARDE

Ne jamais utiliser un acide sec pour calibrer le pH dans les régions géographiques arides où l'évaporation est excessive et la dilution de l'eau de la piscine avec de l'eau fraîche est minimale. Une accumulation de produits inutiles peut endommager la cellule électrolytique.

**IMPORTANT** Analyser le niveau de chlore de la piscine avant chaque utilisation. Lors des périodes d'achalandage élevé où la charge de baigneurs augmente, il est possible que les niveaux de chlore chutent rapidement et nécessitent des ajustements plus fréquents. Assurer une surveillance étroite du chlore et prendre les mesures appropriées pour maintenir le niveau de chlore libre résiduel entre 1 et 3 ppm, tel qu'il est recommandé.

Si le degré de la dureté totale (TH - total Hardness en anglais)\* est supérieur à 400 ppm ou si vous habitez dans une région connue pour son eau dure, il est recommandé de modifier le temps d'inversion de polarité de 5 heures par défaut à 3 heures (directives au dos).



💧 Régions connues pour leur eau dure

\*Trois (3) bandes pour mesurer la dureté de l'eau (TH) sont comprises



**Pour modifier le temps d'inversion de polarité** de 5 heures par défaut aux 3 heures recommandées, veuillez appuyer sur les flèches directionnelles simultanément pour ouvrir le menu de service.

**Une inspection et un nettoyage réguliers** sont le meilleur moyen de prolonger la durée utile du chlorateur. Chaque semaine, vérifiez la formation de tartre sur la cellule; si vous devez nettoyer la cellule plus d'une fois par mois, il est aussi recommandé de modifier à 3 heures le temps d'inversion de polarité.




**Veuillez prendre contact avec le service à la clientèle en composant le 800 822-7933 pour toutes questions supplémentaires.**




©2020 Zodiac Pool Systems LLC Tous droits réservés. ZODIAC® est une marque déposée de Zodiac International, S.A.S.U., utilisée sous licence. Toutes les autres marques de commerce mentionnées sont la propriété de leurs propriétaires respectifs.



Illustration 9. Dureté totale (États-Unis)



## 5.5 Mode SURDOSE/RÉDUIT

Le mode BOOST (surdose) peut être utilisé pour maximiser la production de chlore pendant un court délai. Pour activer le mode BOOST (surdose), appuyer sur les boutons  et  simultanément. Le mode BOOST (surdose) se désactive après 24 heures. Pour arrêter manuellement le mode BOOST (surdose), appuyer sur le bouton .

Le mode LOW (réduit) peut être utilisé pour minimiser la production de chlore lorsque activé. Pour activer le mode LOW (réduit), appuyer sur les boutons  et  simultanément. Le mode LOW (réduit) demeure actif indéfiniment. Pour arrêter manuellement le mode LOW (réduit), appuyer sur le bouton .

Reportez-vous à la carte de l'illustration 9 pour les régions à eau dure. Il est recommandé d'ajuster manuellement la durée d'inversion de la polarité de 5 heures à 3 heures. Pour apporter ce changement, appuyer et tenir les flèches directionnelles simultanément pour passer en mode entretien. Voir l'illustration 9. Appuyer sur la flèche droite une fois pour sélectionner « Cyc= ». Utiliser le bouton  pour basculer entre les cycles de trois, cinq et sept heures. Appuyer sur le bouton  pour quitter.

**REMARQUE** « CLEANING » (NETTOYAGE) s'affichera sur l'écran pendant la période « WAIT » (ATTENTE). L'indicateur de niveau restera comme réglé pendant la période de nettoyage.

## 5.6 Inversion de la polarité

Le système de génération de chlore série Pro de Jandy est une cellule à polarité inversible, ce qui signifie que la cellule inverse régulièrement sa polarité pour éviter l'accumulation de calcium sur les plaques de la cellule. C'est ce qu'on appelle parfois la fonction d'autonettoyage de la cellule. Pendant la période de transition, lorsque la cellule inverse la polarité, il y a un bref délai pendant lequel la cellule ne produit aucun chlore. Une fois la polarité inversée, la cellule continue à produire du chlore.

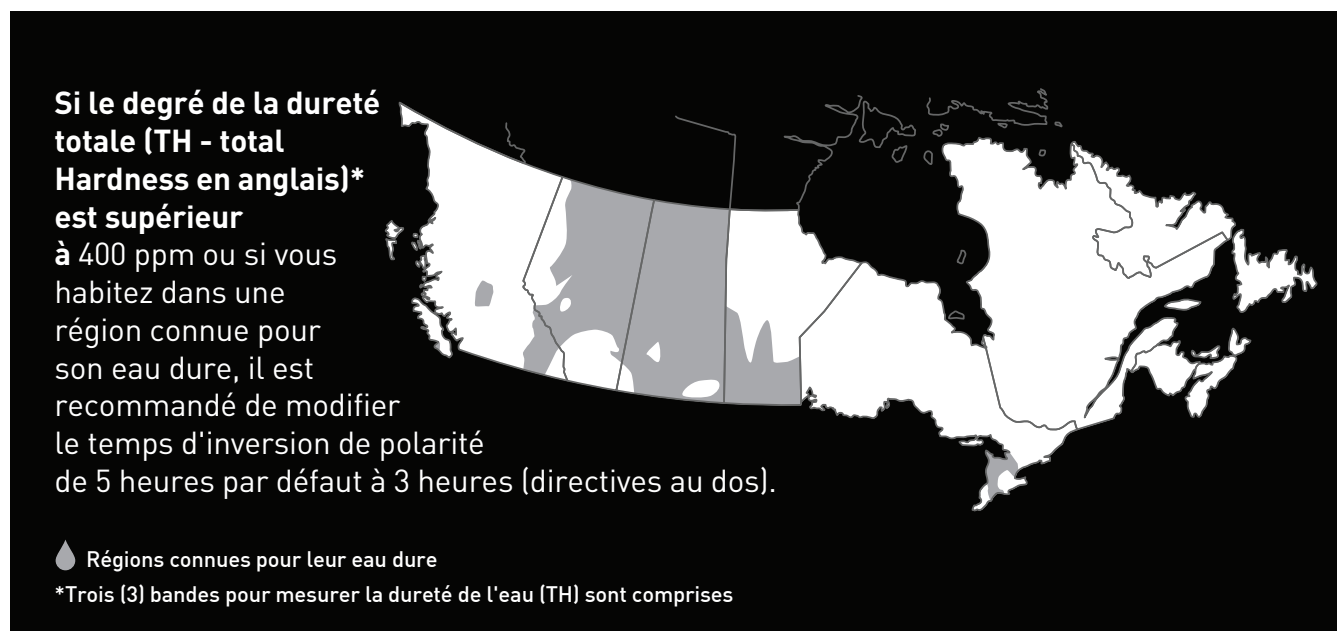


Illustration 10. Carte de la dureté de l'eau (Canada)

## Section 6. Entretien

Avant d'effectuer l'entretien du système de génération de chlore série Pro de Jandy, veuillez vous assurer d'avoir lu et compris la section Consignes de sécurité importantes.

### 6.1 Hebdomadaire

1. **Analyse du chlore.** Utiliser une trousse d'analyse fiable pour vérifier la concentration du chlore dans l'eau de la piscine. Maintenir une plage idéale en ajustant le niveau de production de chlore sur le bloc d'alimentation (voir Section 5.4) ou, le cas échéant, en ajoutant du chlore sec ou liquide au chlorateur. Le niveau de chlore libre recommandé se situe entre 1 et 3 ppm. Voir la Section 4.5 pour obtenir les consignes sur le prélèvement d'un échantillon d'eau.

**REMARQUE** Ne jamais utiliser de récipient en verre à proximité de la piscine. Les bris de verre sont difficiles à apercevoir sous l'eau.

2. **Analyse du niveau de pH.** Analyser le niveau de pH de l'eau de votre piscine avec une trousse d'analyse du pH. Si nécessaire, faire des ajustements pour maintenir un pH entre 7,4 et 7,6 (voir Section 4.3).
3. **Analyse de l'alcalinité totale (AT).** Analyser l'alcalinité totale de l'eau de votre piscine avec une trousse d'analyse. Prendre les mesures nécessaires pour maintenir une alcalinité entre 80 et 120 ppm (États-Unis) ou entre 100 et 120 ppm (Canada) (voir Section 4.3).
4. **Dureté calcique.** Analyser le niveau de dureté calcique de l'eau de votre piscine avec une trousse d'analyse ou faire examiner un échantillon de l'eau de votre piscine par un professionnel. Faire les ajustements requis pour maintenir le niveau de dureté calcique entre 175 et 400 ppm (voir Section 4.3).

### 6.2 Entretien mensuel

1. **Vérifier la cellule.** De préférence, inspecter la cellule tous les mois pour y déceler la présence de tartre ou de dépôts de calcaire. Des dépôts croûteux et légèrement colorés connus sous le nom de tartre se forment dans une eau excessivement dure ou une eau de piscine qui n'est pas au niveau de pH approprié. Après l'installation du système de génération de chlore série Pro de Jandy, vérifier la cellule chaque mois pour y déceler la présence de tartre. Tenir les plaques sous une source lumineuse afin que la lumière puisse être visible entre celles-ci. Si l'on peut aisément voir la lumière à travers des plaques et/ou si une petite quantité de tartre est visible, la cellule n'a pas besoin d'être nettoyée. Réinstaller.

Par contre, si la lumière est peu visible à travers les plaques ou que la lumière est totalement bloquée par le tartre, la cellule doit être nettoyée. Voir les instructions à la Section 6.3.

**REMARQUE** Un nettoyage excessif est susceptible de raccourcir la durée de vie de votre cellule.

2. **Analyse du niveau de salinité.** Utiliser des bandelettes pour tests de salinité, un compteur de salinité/matières dissoutes totales ou toute autre méthode sûre pour tester la salinité de l'eau de piscine. Une fois que le taux existant de salinité a été déterminé, utiliser le Tableau 1 pour déterminer la quantité de sel à ajouter pour atteindre le niveau souhaité. Il faut demeurer vigilant lors de l'ajout de sel – il est plus facile d'ajouter davantage de sel que de diluer s'il y en a trop. Si le niveau de salinité de la piscine est approprié et que l'indicateur DEL de sel ne s'éteint pas, voir la Section 7. Dépannage.
3. **Échantillon d'eau de piscine.** Apporter un échantillon d'eau à un magasin de piscine de votre région pour effectuer l'analyse.
4. **Stabilisateur de chlore (acide cyanurique).** Analyser le niveau du stabilisateur de l'eau de la piscine (niveau de l'acide cyanurique) en utilisant une trousse d'analyse ou en faisant analyser un échantillon d'eau par un spécialiste en piscines. Conserver un niveau recommandé de 30 à 50 ppm. Suivre les recommandations de votre professionnel des piscines et vérifier tous les règlements locaux et fédéraux pour vous assurer que la plage idéale est adéquate pour vos conditions particulières. L'ajout d'un stabilisateur de chlore n'est pas nécessaire dans les piscines intérieures.
5. **Analyse de métaux.** Il est recommandé d'analyser périodiquement la présence de métaux, comme le fer et le manganèse, dans l'eau de la piscine. Ces métaux ne doivent pas être présents dans l'eau de la piscine. Si ces métaux sont présents dans l'eau de votre piscine, communiquer avec un spécialiste en piscines de votre région.

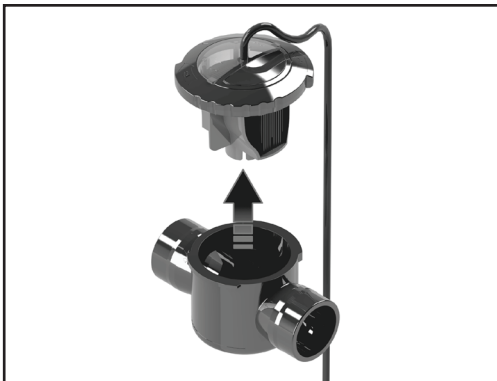
### 6.3 Nettoyage de la cellule

#### MISE EN GARDE

Avant d'effectuer ces tâches, couper l'alimentation au disjoncteur principal pour éviter le risque de décharge électrique pouvant entraîner des dommages matériels, des blessures graves ou la mort.

Si la cellule a tendance à s'entarter, il est recommandé de l'enlever et d'examiner la formation de tartre ou de débris mensuellement. Certains filtres laissent passer

des débris par la cellule, qui peuvent se loger entre les plaques de la cellule. Une légère formation de tartre est normale. Si, en regardant à travers la cellule, vous voyez une formation de tartre excessive entre les plaques ou des débris, nettoyez la cellule comme suit :

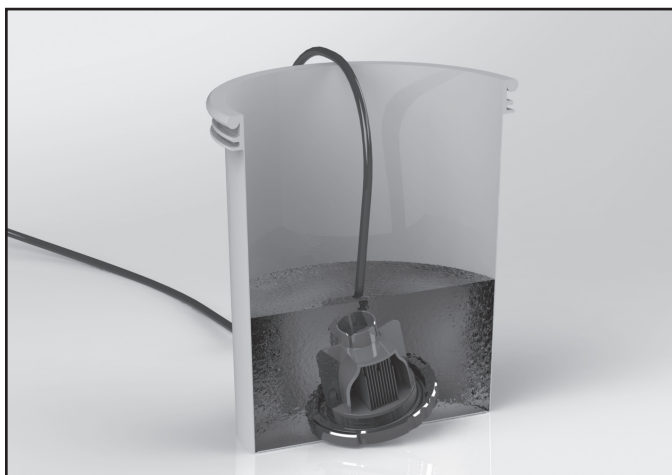


1. S'assurer que l'alimentation vers le bloc d'alimentation et le régulateur a été coupée ou éteinte au disjoncteur.
2. Avant de retirer la cellule pour le nettoyage, fermer toutes les soupapes non nécessaires pour prévenir des pertes d'eau.
3. Ouvrir la soupape de décharge d'air pour relâcher la pression dans le circuit de la piscine.
4. Desserrer la bague, puis retirer la cellule.
5. Porter des lunettes de protection et des gants pour ajouter une (1) partie d'acide chlorhydrique à dix (10) parties d'eau, puis mélanger.

#### **⚠ MISE EN GARDE**

- Lors du nettoyage de la cellule, porter des lunettes et des gants de protection.
- Au moment de mélanger de l'acide à de l'eau, **TOUJOURS AJOUTER L'ACIDE À L'EAU. NE JAMAIS AJOUTER L'EAU À L'ACIDE.**
- Ne jamais utiliser d'acide chlorhydrique non dilué. Toujours utiliser le mélange recommandé d'acide chlorhydrique et d'eau.

6. Immerger la cellule dans la solution de nettoyage.



7. Une mousse commencera à se former, provoquée par la dissolution du tartre (carbonate de calcium) accumulé sur les plaques. Si aucune mousse ne se forme, la cellule n'a pas à être nettoyée (INTERROMPRE LE PROCESSUS DE NETTOYAGE – passer à l'étape 10). Autrement, laisser la cellule reposer dans la solution jusqu'à ce qu'il n'y ait plus de mousse (environ 5 à 10 minutes).

**REMARQUE** Ne pas utiliser de tournevis ou tout autre objet métallique pour enlever les dépôts de calcium.

8. Rincer la cellule à l'eau fraîche, puis effectuer une nouvelle inspection. Si une forte accumulation est toujours présente, immerger à nouveau les plaques dans la solution de nettoyage, rincer, puis effectuer une nouvelle inspection.
9. Après le nettoyage de la cellule, éliminer la solution conformément à la réglementation locale.
10. Rincer la cellule abondamment avec de l'eau du robinet et inspecter. Si les dépôts sont encore visibles sur la cellule électrolytique, répéter l'étape 6.

**REMARQUE** Un nettoyage excessif à l'eau acide endommagera la cellule électrolytique. **Ne pas laisser dans l'acide pendant plus de 30 minutes.**

11. Une fois la cellule propre, l'installer de nouveau comme indiqué à la Section 3.4.

#### **⚠ AVERTISSEMENT**

Ne pas alimenter ou utiliser l'appareil si le boîtier de cellule est endommagé ou mal assemblé.

## 6.4 Préparation pour l'hiver

**REMARQUE** Ne pas utiliser d'éthylène glycol (antigel) dans le système.

Une très faible quantité de chlore est nécessaire dans l'eau froide. Le fonctionnement du chlorateur en dessous de 13 °C (55 °F) n'est pas recommandé. Le fonctionnement du chlorateur en eau froide peut diminuer considérablement la durée de vie de la cellule.

Si des mesures de prévention ne sont pas prises, l'eau près du point de congélation peut causer des dommages importants à la cellule. Prévenir l'endommagement de la cellule dû au froid en faisant fonctionner la pompe continuellement ou en préparant la piscine pour l'hiver en drainant l'eau par la pompe et le filtre, ainsi que toutes les prises et les conduites de retour. Retirer la cellule, la nettoyer et l'entreposer à l'intérieur.

Un bouchon de préparation pour l'hiver (R0621900) peut être acheté afin de remplacer la cellule pendant l'hiver ou l'entretien de la cellule. Cela permettra à la pompe de la piscine de faire circuler l'eau sans la cellule.

Pendant les périodes prolongées au cours desquelles la température de l'eau est inférieure à 13 °C (55 °F), l'appareil doit être éteint et un flotteur au chlore ou un distributeur de produits chimiques doit être utilisé. Il suffit d'y déposer un petit nombre de comprimés jusqu'à ce que la température de l'eau augmente. Cela vous permet de prolonger la durée de vie de la cellule et d'assurer une meilleure performance lorsque les conditions de l'eau sont plus optimales.

## Section 7. Dépannage

### AVERTISSEMENT

Toujours éteindre la pompe avant de procéder à l'entretien ou la réparation. La pompe et le filtre opèrent sous pression et il doit y avoir une détente de cette pression avant de commencer le travail pour éviter d'endommager le système ou une blessure corporelle. Ouvrir la soupape de décharge d'air sur le filtre de la piscine pour relâcher la pression dans le système.

### 7.1 Problèmes et mesures correctives

Problème	Cause possible	Mesure corrective
<b>Manque ou absence de chlore.</b>	Niveau de stabilisateur faible (acide cyanurique) dans l'eau de la piscine (pour piscine extérieure uniquement).	Ajouter le stabilisateur pour maintenir une concentration entre 30 et 50 ppm. Suivre les recommandations de votre professionnel des piscines et vérifier tous les règlements locaux et fédéraux pour vous assurer que la plage idéale est adéquate pour vos conditions particulières. (Voir le tableau 2.)
	Le pH ne se trouve pas dans la plage recommandée.	Le chlore ne fonctionne pas aussi bien qu'un désinfectant si le pH ne se trouve pas dans la plage spécifiée. Ceci peut entraîner une demande de chlore accrue. La plage idéale pour le pH se situe entre 7,4 et 7,6 (utiliser de l'acide chlorhydrique pour abaisser le pH et du carbonate de sodium pour augmenter le pH).
	Heures de fonctionnement de l'appareil inadéquates.	Augmenter la durée quotidienne du fonctionnement du système.
	Production du chlore réglée à un niveau trop faible.	Augmenter le taux de production de chlore en appuyant sur le bouton Output (production) (voir Section 5.4).
	Perte temporaire du chlore attribuable aux lourdes charges organiques : pluie, feuilles, engrais ou nombre élevé de nageurs. Animaux domestiques utilisant la piscine.	Régler la production de chlore à 100 % et faire fonctionner la pompe et la cellule pendant 24 heures. Après 24 heures, vérifier de nouveau le niveau du chlore. Si le niveau est toujours trop faible, surchloler à l'aide d'une autre source pour atteindre une chloration au point critique. Le concessionnaire de piscines de votre région peut vous aider si un échantillon d'eau lui est apporté.

Problème	Cause possible	Mesure corrective
	Faible niveau de sel (inférieur à 3 000 ppm) dans l'eau de la piscine.	Utiliser des bandelettes pour tests de salinité, un compteur de salinité/matières dissoutes totales ou toute autre méthode sûre pour tester la salinité de l'eau de piscine. Une fois que le taux existant de salinité a été déterminé, utiliser le Tableau 1 pour déterminer la quantité de sel à ajouter pour atteindre le niveau souhaité. Maintenir un niveau de salinité de 3 000 ppm.
	Teneur élevée en nitrates.	Communiquer avec un spécialiste en piscines.
	Métaux présents dans l'eau de la piscine.	Communiquer avec un spécialiste en piscines.
	Nouvelle eau de piscine. Chloration-choc initiale inadéquate.	Surchlorer la piscine.
	Cellule bouchée ou sale.	Retirer la cellule pour l'inspecter et nettoyer si nécessaire (voir Section 6.3).
<b>Teneur en chlore trop élevée. (au-delà de 7,0 ppm)</b>	Production du chlore réglée à un niveau trop élevé.	Diminuer le taux de production de chlore en appuyant sur le bouton Output (production) (voir Section 5.4).
	Le bloc d'alimentation et la cellule sont demeurés allumés trop longtemps.	Si la production de chlore est réglée au minimum et que le niveau de chlore est régulièrement trop élevé, diminuer la durée de fonctionnement quotidien au besoin.
<b>Rien n'est affiché à l'écran ACL (l'écran est vide).</b>	Aucune alimentation à l'appareil.	Vérifier le raccordement à la minuterie de la pompe (voir Section 3.5).  Vérifier que le différentiel est déclenché.
<b>L'affichage indique « No Flow » (aucun débit). Causé par un débit d'eau insuffisant dans la cellule.</b>	Causé par un débit d'eau insuffisant dans la cellule.  <b>REMARQUE :</b> lorsque le voyant de débit est allumé, la production de chlore est désactivée.	Vérifier et nettoyer les cuves de la pompe et de l'écumoire.
	Filtre sale.	Nettoyer le filtre.
	Mauvaise connexion entre la cellule et le bloc d'alimentation.	Procéder à une vérification pour s'assurer de la solidité de la connexion au bloc d'alimentation.
	Soupapes fermées.	Vérifier et corriger tous les alignements des soupapes.
	La pompe ne fournit pas suffisamment de débit d'eau.	Vérifier le fonctionnement de la pompe.  S'assurer que la pompe offre la puissance appropriée pour le débit requis.



Problème	Cause possible	Mesure corrective
<b>L'affichage indique « Lo Tmp/Lo Salt » (basse température/ faible teneur en sel).</b>	Le niveau de sel est bien en deçà de 2 500 ppm, en fonction de la température de l'eau.	Maintenir un niveau de salinité entre 3 000 ppm et 3 500 ppm (voir Section 4.6 ou communiquer avec un spécialiste en piscines de votre région).
	Accumulation de calcium dans la cellule. <b>REMARQUE</b> : les lectures de la salinité sont prises après 5 minutes et à des intervalles réguliers de 5 minutes. L'indicateur concernant le sel s'allume lorsque le niveau de sel est bien en deçà de 2 500 ppm. Il demeurera allumé jusqu'à ce que le niveau de sel atteigne 3 000 ppm ou légèrement plus.	Nettoyer la cellule.
	Durée de vie de la cellule expirée.	Remplacer la cellule.
	La combinaison d'une température d'eau plus basse (entre 2 °C et 18 °C/35 °F et 65 °F) et d'un niveau de sel plus faible (entre 1 500 et 2 000 ppm).	Vérifier le niveau de sel dans l'eau de la piscine. Si le niveau est entre 3 000 et 3 500 ppm, aucune mesure ne s'avère nécessaire. Si le niveau de sel est inférieur à 2 500 ppm, élever le niveau de salinité entre 3 000 et 3 500 ppm (voir Section 4.6).  <b>REMARQUE</b> : un niveau de sel supérieur à 4 500 ppm peut provoquer des dommages par corrosion.
<b>Niveau de sel trop bas.</b>	Pas assez de sel dans la piscine.	Ajouter du sel à la piscine jusqu'à ce que la salinité retourne à 3 000 ppm (voir la Section 4.6).
	Fuite dans la piscine.	Réparer la piscine.
<b>Niveau de sel trop élevé.</b>	Trop de sel a été ajouté à la piscine.  Les débris métalliques coincés entre les plaques ou les plaques de cellule qui peuvent entrer en contact les unes avec les autres.	Effectuer une analyse pour vérifier le niveau de sel. Utiliser la méthode la plus fiable à votre disposition, c.-à-d., apporter un échantillon d'eau à un concessionnaire de piscines avant de prendre toute mesure en matière de dilution. Laver à contre-courant ou drainer partiellement la piscine, puis diluer à l'eau fraîche jusqu'à ce que la salinité retourne entre 3 000 ppm et 3 500 ppm.  Enlever les débris coincés entre les plaques à l'aide d'un tuyau d'arrosage sous pression modérée. Si les plaques sont desserrées et qu'elles entrent en contact les unes avec les autres, remplacer la cellule.
<b>Forte odeur de chlore.</b>	Présence excessive de chloramine (chlore combiné).  Le chlore est un oxydant, ce qui signifie que les déchets organiques sont retirés de l'eau, puis rejetés dans l'air. Une forte odeur est inhérente à ce processus. Si cette odeur persiste pendant plus de 12 heures, apporter un échantillon d'eau au concessionnaire de piscines de votre région.	Effectuer une chloration-choc manuelle (voir Section 4.3).



Problème	Cause possible	Mesure corrective
<b>Eau trouble, parois de la piscine visqueuses.</b>	Croissance combinée d'algues et de bactéries.	Brosser les parois affectées et surchlorer la piscine manuellement (voir Section 4.3).
<b>Irritation des yeux ou de la peau.</b>	Mauvais équilibre hydrique.	Équilibrer l'eau selon les niveaux recommandés à la Section 4.4.
	Niveau de chloramine élevé.	Augmenter le taux de production à 100 %, puis laisser fonctionner la pompe pendant 24 heures. <b>NE PAS SE Baigner pendant cette période</b>
<b>Formation de tartre sur l'équipement de la piscine.</b>	Forte dureté calcique.  pH incorrect, ce qui libère les minéraux de la solution.	Diluer l'eau de la piscine avec de l'eau fraîche. Discuter avec votre spécialiste en piscines de l'utilisation d'un agent séquestrant.  Ajuster l'alcalinité totale entre 80 et 120 ppm (États-Unis) ou entre 100 et 120 ppm (Canada). Ensuite, régler le pH à un niveau se situant entre 7,4 et 7,6 (voir Section 4.4).
<b>REMARQUE :</b> pour nettoyer les dépôts (tartre) sur la cellule, voir la Section 6.3.		

## Section 8. Affichage de lectures

### 8.1 Affichage de lectures et descriptions

Affichage de lecture	Raison	Description
EN	Langue de démarrage	C'est l'acronyme qui doit apparaître à l'écran de démarrage pendant 3 secondes.
Français	Langue	Langue sélectionnée/présentée à l'utilisateur. La production est à OFF (arrêt) au moment de la sélection.
Standby (Veille)	Standby (Veille)	Lorsque le système est prêt et en attente du prochain cycle de chloration valide sans erreur. La production est à OFF (arrêt).
Standby ‡	Connecté à Jandy Automation	Lorsque le système est connecté à un système d'automatisation Jandy par un câble de communication RS485 et en attente du prochain cycle de chloration valide sans erreurs. La production est à OFF (arrêt).
Standby #	Connecté à la pompe Jandy à vitesse variable (avec contrôleur)	Lorsque le système est connecté à une pompe Jandy à vitesse variable (avec contrôleur) via un câble de communication RS485 et en attente du prochain cycle de chloration valide sans aucune erreur. La production est à OFF (arrêt).
Chlorinating	Chloration	Lorsque le système fonctionne pendant un cycle de chloration valide sans erreur. La production est à ON (marche).

Affichage de lecture	Raison	Description
Cleaning (Nettoyage)	La polarité s'inverse	Lorsque le système fonctionne pendant un cycle de chloration valide et que la minuterie du cycle de service est écoulée. La production est à OFF (arrêt).
Lo Temp/Lo Salt (Basse température/ Faible teneur en sel)	Conductivité faible de l'eau	Lorsque le système détecte une conductivité faible de l'eau, cela peut être causé par la présence d'eau froide, un niveau de sel faible ou une combinaison des deux. Vérifier le niveau de sel. La production est à ON (marche).
No Flow (Aucun débit)	Aucun débit ou faible débit	Lorsque le système détecte une absence de débit pendant un cycle de chloration valide. La production est à OFF (arrêt).
Check Cell (Vérifier la cellule)	Surcharge de la cellule	Lorsque le système fonctionne pendant un cycle de chloration valide et détecte un court-circuit dans la cellule ou une surcharge. Conçu pour avertir l'utilisateur ou le préposé à l'entretien. La production est à OFF (arrêt).
Check Cell (Vérifier la cellule)	Circuit ouvert dans la cellule	Lorsque le système fonctionne pendant un cycle de chloration valide et détecte un circuit ouvert dans la cellule ou une déconnexion. Conçu pour avertir l'utilisateur ou le préposé à l'entretien. La production est éteinte, mais reprend toutes les 30 secondes.
Over Temp (Surchauffe)	Surchauffe du régulateur	<p>Le régulateur détecte la température interne et peut réduire la puissance de production comme mesure de protection automatique.</p> <p>À 70 °C (interne), la puissance de production vers la cellule est réduite de 50 % (aucun message ne s'affiche).</p> <p>À 80 °C (interne), la puissance de production vers la cellule est réduite à 0 % (arrêt) et cette erreur de température excessive s'affiche. La production est à OFF (arrêt).</p> <p>Conçu pour avertir l'utilisateur ou le préposé à l'entretien de la surchauffe.</p> <p>Confirmer que ce message d'avertissement disparaît automatiquement lorsque la température interne est en deçà de 80 °C.</p>

# NOTES

**Zodiac Pool Systems LLC**

2882 Whiptail Loop # 100 Carlsbad, CA 92010

**Zodiac Pool Systems Canada, Inc.**

2-3365 Mainway, Burlington, ON L7M 1A6 Canada

USA | Jandy.com | 1.800.822.7933

Canada | Jandy.ca | 1.888.647.4004

*©2020 Zodiac Pool Systems LLC Tous droits réservés. ZODIAC® est une marque déposée de Zodiac International, S.A.S.U., utilisée sous licence. Toutes les autres marques de commerce mentionnées sont la propriété de leurs propriétaires respectifs.*

H0613500\_REVG



ETL CONFORME  
À LA NORME  
UL 1081  
Certifié selon  
CAN/CSA C22.2  
N° 218.1



Certified to  
NSF/ANSI Standard 50



# MANUAL DE INSTALACIÓN Y FUNCIONAMIENTO

ESPAÑOL



Zodiac Pool Systems LLC  
2882 Whiptail Loop # 100 Carlsbad, CA 92010

Zodiac Pool Systems Canada, Inc.  
2-3365 Mainway, Burlington, ON L7M 1A6 Canada

Control de bacterias y algas en aguas de piscinas residenciales  
N.º DE REGISTRO  
LOCAL 32473 LEY  
DE PRODUCTOS PARA EL CONTROL DE PESTES

## ⚠ ADVERTENCIA

Si se utilizan los modelos Jandy TruClear™ sin caudal de agua a través de la celda, puede producirse una acumulación de gases inflamables con riesgo de INCENDIO O EXPLOSIÓN. LEA LA ETIQUETA Y EL MANUAL DE OPERACIÓN ANTES DE USAR. MANTENGA FUERA DEL ALCANCE DE LOS NIÑOS.

# Jandy TruClear™ Sistema generador de cloro

## ⚠ ADVERTENCIA

**PARA SU SEGURIDAD:** la instalación y el servicio técnico de este producto deben estar a cargo de una persona calificada y con licencia para trabajar con equipamientos para piscinas en la jurisdicción en la que se instalará el producto, donde existan tales requisitos estatales o locales. El técnico de servicio debe ser profesional y contar con experiencia suficiente en instalación y mantenimiento de equipamientos para piscinas, para que todas las instrucciones de este manual se puedan seguir exactamente. Antes de instalar este producto, lea y siga todos los avisos de advertencia y las instrucciones que se proporcionan con el producto. Si no se siguen los avisos de advertencia ni las instrucciones, es posible que se produzcan daños materiales, lesiones personales o la muerte.

Si la instalación o la operación se llevan a cabo incorrectamente, la garantía quedará anulada.

La instalación y la operación inadecuadas pueden generar peligros eléctricos indeseables capaces de provocar lesiones graves, daños materiales o la muerte.



**ATENCIÓN INSTALADOR:** este manual contiene información importante acerca de la instalación, la operación y la utilización seguras de este producto. Esta información debe ser entregada al dueño u operador de este equipo.

**Protección máxima contra sobrecorriente: 15 A**

**Use conductores de cobre solamente**

**Desconecte el circuito de energía antes de abrir la tapa de servicio**

**Para uso en interiores o exteriores**

**Requisitos eléctricos: 120/240 VCA 50/60 Hz**

**3 ALAMBRES, 4/2 AMP**

**La salida máxima de ácido hipocloroso equivale a 442 g de cloro libre disponible por día**

**y 3000 partes por millón de sal**

**El máximo volumen de agua que se puede tratar con una unidad de TruClear es 132 000 litros (35 000 galones) (132,0 m<sup>3</sup>)**

**Para las piscinas, se debe mantener un rango de 1 a 3 ppm de cloro libre disponible**

**Control de bacterias y algas en aguas de piscinas residenciales**

**No use este dispositivo con productos de bromuro**



**Intertek**

ETL LISTED SE  
RIGE POR LA  
NORMA DE UL 1081

Con certificación de  
CAN/CSA C22.2  
n.º 218.1



Certified to  
NSF/ANSI Standard 50

---

## Aviso para el usuario

Este producto para el control de plagas solo se debe usar de acuerdo con las instrucciones que figuran en la etiqueta. De acuerdo con la Ley de productos para el control de plagas, es ilegal utilizar este producto de manera distinta a la indicada en la etiqueta. El usuario asume el riesgo ante personas o propiedades que surja de tal uso de este producto.



## Contenido

<b>Sección 1. Instrucciones importantes de seguridad .....</b>	<b>68</b>	<b>Sección 5. Instrucciones de funcionamiento.....</b>	<b>85</b>
1.1 Instrucciones de seguridad .....	68	5.1 Encendido/apagado del paquete de energía (en forma manual) .....	85
<b>Sección 2. Descripción general .....</b>	<b>72</b>	5.2 Selección de idioma .....	85
2.1 Especificaciones del producto .....	72	5.3 Encendido/apagado del paquete de energía (con el temporizador externo de la bomba).....	85
2.2 Contenidos del producto .....	73	5.4 Nivel de producción de cloro .....	85
3.2 Requisitos de instalación.....	74	5.6 Modo BOOST/LOW (refuerzo/bajo) .....	87
<b>Sección 3. Instrucciones de instalación.....</b>	<b>74</b>	5.7 Inversión de polaridad .....	87
3.1 Materiales y herramientas .....	74	<b>Sección 6. Mantenimiento.....</b>	<b>88</b>
3.3 Instalación del paquete de energía .....	75	6.1 Semanal .....	88
3.4 Instalación de la celda .....	76	6.2 Mensual.....	88
3.5 Conexión del paquete de energía a la fuente de alimentación .....	77	6.3 Limpieza de la celda.....	88
3.6 Instalación de RS485 para sistema de automatización Jandy.....	78	6.4 Preparación para el invierno .....	89
3.7 Cuando se usa en instalaciones que no son de automatización y con la bomba de velocidad variable de Jandy .....	80	<b>Sección 7. Solución de problemas .....</b>	<b>90</b>
3.8 Conexiones eléctricas y puesta a tierra .....	80	7.1 Problemas y acción correctiva .....	90
3.9 Instrucciones del sistema de hidráulica de retorno dividido: para sistemas de limpieza integrados al piso .....	80	<b>Sección 8. Lecturas de la pantalla.....</b>	<b>93</b>
<b>Sección 4. Preparación del agua de la piscina.....</b>	<b>81</b>	8.1 Razones y descripciones de la pantalla .....	93
4.1 Determinación del tamaño de la piscina (litros de agua) .....	81		
4.2 Determinación del tamaño de la piscina (galones de agua) .....	81		
4.3 Conceptos químicos que necesita conocer.....	81		
4.4 Condiciones óptimas del agua de la piscina ....	82		
4.5 Recolección de una muestra de agua .....	83		
4.6 Sal (NaCl, cloruro de sodio) .....	83		

# Sección 1. Instrucciones importantes de seguridad

## LEA Y SIGA ESTAS INSTRUCCIONES

### 1.1 Instrucciones de seguridad

Este dispositivo solo se puede usar en piscinas y en piscinas con hidromasaje incorporado. No se puede usar en hidromasajes individuales. Todos los trabajos de electricidad deben ser realizados por un electricista matriculado y adherir a todos los códigos nacionales, estatales (provinciales) y locales. Cuando se instale y utilice este equipo eléctrico, siempre se deberán seguir las siguientes precauciones básicas de seguridad.

#### ADVERTENCIA

**EQUIPO BAJO PRESIÓN:** siempre apague la bomba antes de instalar o reparar el paquete de energía o la celda. El sistema de bomba/filtro funciona bajo presión y la presión debe liberarse antes de comenzar a trabajar. Consulte el manual del usuario de la bomba o del filtro para obtener instrucciones adicionales.

#### ADVERTENCIA

Para reducir el riesgo de descarga eléctrica, incendio o lesiones, solo un profesional de servicio de piscinas calificado deberá realizar las reparaciones.

#### ADVERTENCIA

Los dispositivos generadores de cloro Jandy están diseñados para su uso en piscinas domésticas (residenciales) solamente. Otro tipo de uso podría afectar el rendimiento, invalidar la garantía y producir daños materiales, lesiones graves o la muerte.

- Si se opera un generador de cloro sin que fluya agua a través de la celda, se puede producir una acumulación de gases inflamables con riesgo de incendios o explosiones.
- Mantenga el equipo fuera del alcance de los niños.
- Si hay un cable de alimentación dañado, solo deberá reemplazarlo el fabricante, un electricista o un técnico de servicio.
- Cuando se instale y utilice este equipo eléctrico, siempre se deberán seguir las precauciones básicas de seguridad.
- Antes de realizar la instalación, desconecte la energía.
- Conecte solamente a un ramal del circuito que esté protegido por un interruptor de circuito por falla a tierra (GFCI).
- No haga la instalación dentro de un recinto exterior ni debajo del revestimiento del jacuzzi o hidromasaje.
- No use este dispositivo con productos de bromuro

#### ADVERTENCIA

La instalación debe realizarse de conformidad con National Electrical Code® (“NEC®” o NFPA-70®) en Estados Unidos, el Código de Electricidad en Canadá (“CEC” o C22.1) en Canadá o cualquier otro código de instalación local y nacional.

**RIESGO DE DESCARGA ELÉCTRICA, INCENDIO, LESIONES PERSONALES O MUERTE.** Conecte solamente a un ramal del circuito que esté protegido por un interruptor de circuito por falla a tierra (GFCI). Contacte a un electricista autorizado si no puede verificar que el circuito está protegido por un GFCI. Asegúrese de que el instalador proporcione un GFCI y que sea probado regularmente. Para probar el GFCI, presione el botón de prueba. El GFCI debe interrumpir la energía. Presione el botón Reset. La energía debería restablecerse. Si el GFCI no funciona de esta forma, significa que está defectuoso. Si el GFCI interrumpe la alimentación del dispositivo sin que se presione el botón de prueba, significa que hay corriente de tierra, lo que a su vez indica la posibilidad de electrocución. No utilice el dispositivo. Desconecte el dispositivo y solicite a un representante de servicio calificado que solucione el problema antes de utilizarlo.

Se incluye un cable de conexión a tierra verde/amarillo dentro del paquete de energía. Para reducir el riesgo de descarga eléctrica, conecte el cable de tierra al cable de conexión a tierra que suministra energía a la unidad.

#### ADVERTENCIA

El paquete de energía debe estar interbloqueado/interconectado con la fuente de alimentación del motor de la bomba de la piscina para garantizar que el clorador solo funcione cuando la bomba de la piscina esté en funcionamiento. La función de sensor de flujo de Jandy TruClear está diseñada para utilizarse solamente a modo de respaldo y no se debe utilizar como la única fuente de detección de flujo.

**⚠ ADVERTENCIA**

- El paquete de energía debe instalarse verticalmente al menos a 0,6 m (2 pies) del suelo. Asegúrese de que la fuente de alimentación esté protegida de la exposición directa al agua de los rociadores, la escorrentía del agua de los tejados y el drenaje.
- En EE. UU., el paquete de energía debe instalarse al menos a 1,5 m (5 pies) de la pared interior de la piscina o del hidromasaje. En Canadá, debe instalarse al menos a 3 m (10 pies) de esa pared interior.
- En Canadá, la celda electrolítica generadora de cloro Jandy debe instalarse en el exterior.
- La celda debe instalarse horizontalmente con el cable de cara hacia arriba para evitar que se acumulen gases inflamables que podrían provocar un INCENDIO o una EXPLOSIÓN.
- La celda debe ser la última pieza del equipo del sistema de hidráulica de circulación que se instale justo antes de la piscina.

**⚠ ADVERTENCIA**

Este aparato no está diseñado para que lo usen personas (incluidos niños) con capacidades físicas, sensoriales o mentales reducidas, o que carezcan de experiencia y conocimiento, a menos que hayan recibido supervisión o instrucción en cuanto al uso del aparato por parte de una persona responsable de su seguridad.

**⚠ ADVERTENCIA**

Para reducir el riesgo de sufrir accidentes, no retire los acoples de succión del hidromasaje o del jacuzzi. Nunca ponga en funcionamiento un hidromasaje o jacuzzi que no tenga los acoples de succión o los tenga dañados. Nunca reemplace un acople de succión por otro que sea para un caudal menor que el indicado en el equipo.

**⚠ ADVERTENCIA**

**EVITE EL AHOGAMIENTO DE LOS NIÑOS:** no permita que ninguna persona, especialmente niños pequeños, se siente, pise, se apoye o trepe en los equipos instalados como parte del sistema operativo de la piscina. Ubique los componentes de su sistema operativo a al menos 1 m (3 pies) de la piscina para que los niños no puedan usar el equipo mientras estén en ella ni se lesionen o ahoguen.

**⚠ ADVERTENCIA**

La inmersión prolongada en agua caliente puede causar hipertermia. La hipertermia se produce cuando la temperatura corporal interna supera por varios grados la temperatura corporal normal de 37 °C (98,6 °F). Algunos de los síntomas de hipertermia incluyen mareo, desvanecimiento, somnolencia, pereza y un aumento de la temperatura corporal interna. Los efectos de la hipertermia incluyen:

- Desconocimiento de un peligro inminente
- Incapacidad para percibir el calor
- Incapacidad para reconocer la necesidad de salir del hidromasaje
- Imposibilidad física para salir del hidromasaje
- Daño fetal en mujeres embarazadas
- Peligro de ahogamiento derivado de la pérdida del conocimiento

**⚠ ADVERTENCIA**

**Para reducir el riesgo de lesiones:**

- El agua del hidromasaje nunca debe exceder los 40 °C (104 °F). Se considera que las temperaturas entre 38 °C (100 °F) y 40 °C (104 °F) son seguras para un adulto saludable. Se recomiendan temperaturas más bajas para niños pequeños y para cuando se utilice el hidromasaje por más de 10 minutos.
- Debido a que las temperaturas de agua muy altas tienen un alto potencial de causar daños al feto durante los primeros meses de embarazo, las mujeres embarazadas o que sospechen un embarazo deben limitar la temperatura del agua del hidromasaje a 38 °C (100 °F).
- Antes de entrar en un hidromasaje o jacuzzi, el usuario debe medir la temperatura con un termómetro preciso, ya que la tolerancia de los dispositivos que regulan la temperatura del agua varía.
- El consumo de alcohol, drogas o medicamentos antes o durante el uso del hidromasaje o jacuzzi puede producir pérdida del conocimiento con la posibilidad de ahogamiento.
- Las personas obesas y aquellas con antecedentes de enfermedades cardíacas, con presión baja o alta, con problemas en el sistema circulatorio o con diabetes deben consultar al médico antes de utilizar el hidromasaje.
- Las personas que estén tomando medicamentos deben consultar al médico antes de utilizar el hidromasaje o jacuzzi porque algunos medicamentos pueden provocar somnolencia mientras que otros pueden afectar el ritmo cardíaco, la presión arterial y la circulación.

**⚠ ADVERTENCIA**

- Las personas con enfermedades infecciosas no deben utilizar el hidromasaje ni el jacuzzi.
- Para evitar lesiones, tenga cuidado al entrar o salir del hidromasaje o del jacuzzi.
- No consuma drogas ni alcohol antes o durante el uso del hidromasaje o jacuzzi para evitar quedar inconsciente y que exista la posibilidad de ahogarse.
- Las mujeres embarazadas o que sospechen estarlo deben consultar al médico antes de utilizar el hidromasaje o el jacuzzi.
- Si la temperatura del agua supera los 38 °C (100 °F), puede resultar peligrosa para la salud.
- Antes de entrar al hidromasaje o jacuzzi, mida la temperatura del agua con un termómetro preciso.
- No use el hidromasaje o el jacuzzi inmediatamente después de haber hecho ejercicios intensos.
- La inmersión prolongada en el hidromasaje o jacuzzi puede ser perjudicial para su salud.
- No permita la instalación de ningún artefacto eléctrico (como luces, teléfono, radio o televisión) dentro de un radio de 1,5 m (5 pies) del hidromasaje o jacuzzi.
- El consumo de alcohol, drogas o medicamentos puede aumentar considerablemente el riesgo de hipertermia fatal en hidromasajes o jacuzzis.

**⚠ PRECAUCIÓN**

Este dispositivo es para uso en piscinas permanentes y también se puede utilizar en hidromasajes y jacuzzis, si estuviera indicado en la documentación. No lo utilice en piscinas portátiles o hidromasajes individuales. Las piscinas permanentes están construidas dentro del suelo o sobre él, o en un edificio de tal manera que no se pueden desmontar para su almacenamiento. Las piscinas portátiles están construidas de manera que pueden ser fácilmente desmontadas para su almacenamiento y pueden volver a montarse en su estado original.

**⚠ PRECAUCIÓN**

Es importante señalar que ciertos materiales utilizados en torno a las piscinas y a los hidromasajes tal vez no sean compatibles con los químicos que se utilizan comúnmente para purificar el agua de la piscina y del hidromasaje (por ejemplo, ácidos, cloro, sal, estabilizadores, etc.).

Zodiac Pool Systems LLC no garantiza que el agua clorada generada por el dispositivo generador de cloro Jandy no vaya a dañar o destruir ciertos tipos de plantas, cubiertas, coronas y otros materiales en torno a su piscina o hidromasaje. Antes de seleccionar los materiales que se utilizarán en torno a su piscina o hidromasaje, hable sobre todas las opciones con su contratista para evaluar la compatibilidad de dichos materiales y productos químicos.

Al mezclar ácido u otros químicos con agua, **AGREGUE SIEMPRE EL ÁCIDO O LOS QUÍMICOS AL AGUA. NUNCA AGREGUE AGUA AL ÁCIDO NI A LOS QUÍMICOS.**

Algunas consideraciones útiles para tener en cuenta:

- Seleccione plantas que puedan soportar las salpicaduras de agua que contenga cloro o sal y demás químicos de purificación del agua.
- Todos los componentes de metal utilizados en torno a una piscina deben ser de acero inoxidable de alto grado y alta calidad.
- Seleccione con cuidado los productos de mampostería. La porosidad y la dureza de las piedras naturales varían de manera considerable. Por lo tanto, recomendamos consultar con su constructor o contratista experto en piedras en cuanto a la mejor opción para los materiales de piedra alrededor de su piscina o hidromasaje.
- Selle todos los productos de mampostería. Los profesionales en la industria de las piedras ornamentales especifican que incluso la piedra natural, en especial si se usa en ambientes exteriores, debe sellarse para evitar la erosión, el manchado y la degradación prematura. Consulte con su contratista de piedras ornamentales o cubiertas en cuanto al sellador correcto para los productos de mampostería que seleccionó para usar alrededor de su piscina o hidromasaje.
- Para resultados óptimos, vuelva a aplicar los selladores con regularidad. Vuelva a aplicar el sellador protector siguiendo un cronograma según las instrucciones del fabricante.
- El uso de productos químicos que no sean los recomendados puede ser peligroso. Siga las instrucciones de los fabricantes de productos químicos.

**GUARDE ESTAS INSTRUCCIONES**

**⚠ ADVERTENCIA**

Para minimizar el riesgo de lesiones graves o la muerte, no se debe someter el filtro, la bomba ni el clorador a la prueba de presurización del sistema de tuberías.

Las normas locales pueden requerir que el sistema de tuberías de la piscina sea sometido a una prueba de presión. Estos requisitos no suelen aplicarse a los equipamientos para piscinas, como filtros, bombas o cloradores.

Los equipamientos para piscinas Jandy se someten a una prueba de presión en la fábrica.

Sin embargo, si no se puede respetar la ADVERTENCIA y la prueba de presión del sistema de tuberías debe incluir el filtro, la bomba o el clorador, **ASEGÚRESE DE CUMPLIR CON LAS SIGUIENTES INSTRUCCIONES DE SEGURIDAD:**

- Extraiga la celda e instale una tapa de presurización, instalación y preparación para el invierno (n.º de pieza: R0621900) antes de realizar la prueba.
- Verifique todas las abrazaderas, los tornillos, las tapas, los anillos de bloqueo y los accesorios del sistema para asegurarse de que estén correctamente instalados y asegurados antes de la prueba.
- LIBERE TODO EL AIRE del sistema antes de la prueba. NO debe utilizar PRESIÓN DE AIRE para la prueba de presión.
- La presión de agua para la prueba NO PUEDE EXCEDER los 35 PSI.
- La temperatura del agua para la prueba NO PUEDE EXCEDER los 38 °C (100 °F).
- Limite la prueba a 24 horas. Después de la prueba, verifique visualmente el sistema para asegurarse de que esté listo para funcionar.

Aviso: Estos parámetros se aplican únicamente al equipo Jandy. En el caso de equipos de otra marca, consulte con el fabricante.

**GUARDE ESTAS INSTRUCCIONES**

## Sección 2. Descripción general

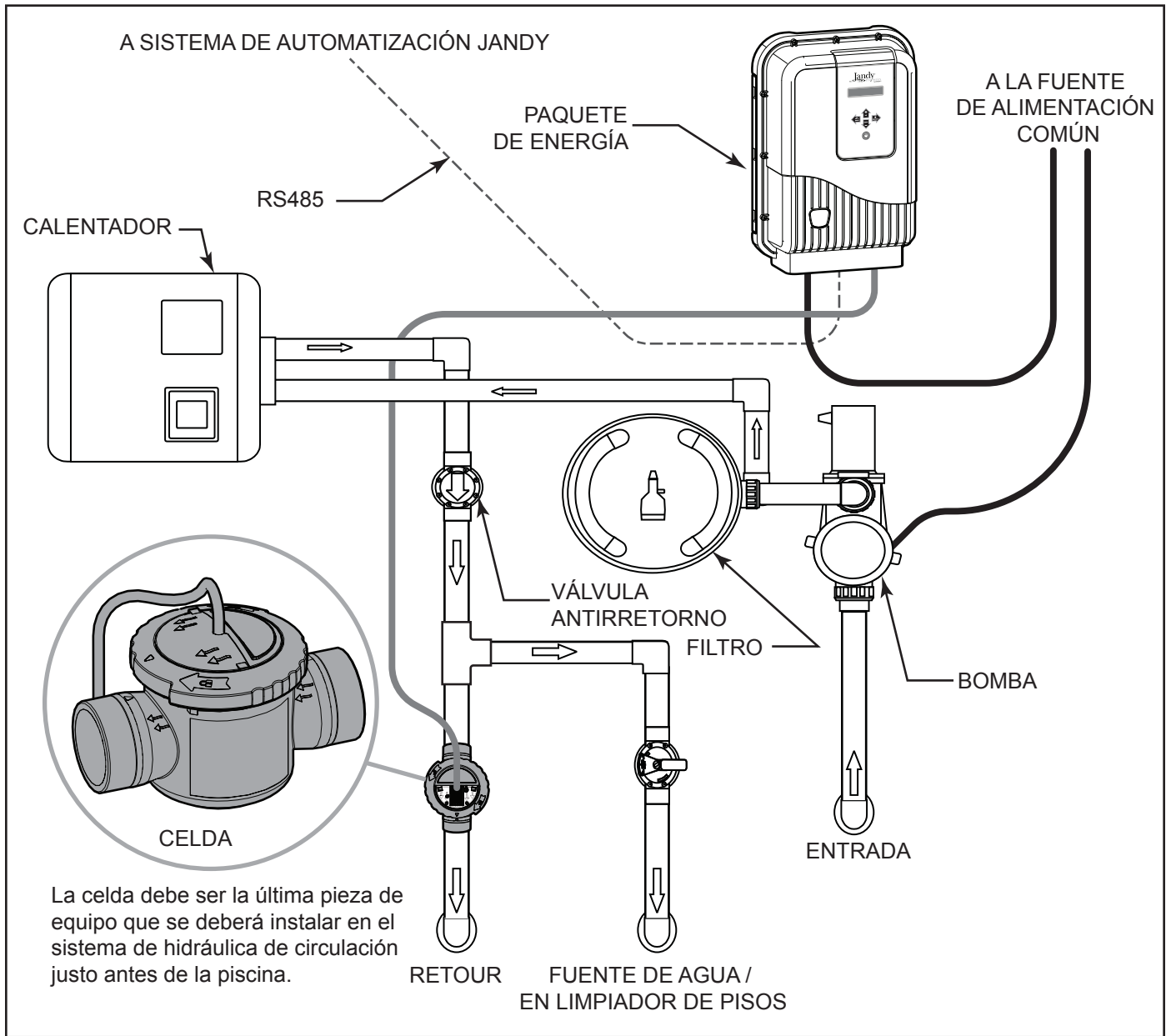


Figura 1. Ejemplo de instalación

### 2.1 Especificaciones del producto

Presión de trabajo máxima: 50 psi	Frecuencia de entrada: 50/60 Hz
Caudal mínimo: 76 lpm (20 gpm)	Voltaje de salida: 25 VCC (máx.)
Nivel de sal requerido: 3,0 gpl (3000 ppm)	Dimensiones: Paquete de energía (Largo x Ancho x Alto): 25,4 cm x 11,4 cm x 33 cm (10 in x 4,5 in x 13 in) Celda electrolítica (Largo x Ancho x Alto): 16,5 cm x 14 cm x 30,5 cm (6,5 in x 5,5 in x 12 in)
Máximo volumen de agua tratado: 132 000 l (35 000 gal)	
Producción de cloro: 18,4 g/hr	
Voltajes de entrada: 120/240 VCA	<b>Peso:</b>
Corriente de entrada a 240 VCA: ~2 A	Paquete de energía: 3,2 k (7 lb)
Corriente de entrada a 120 VCA: ~4 A	Celda electrolítica: 0,9 k (2 lb)



## 2.2 Contenidos del producto

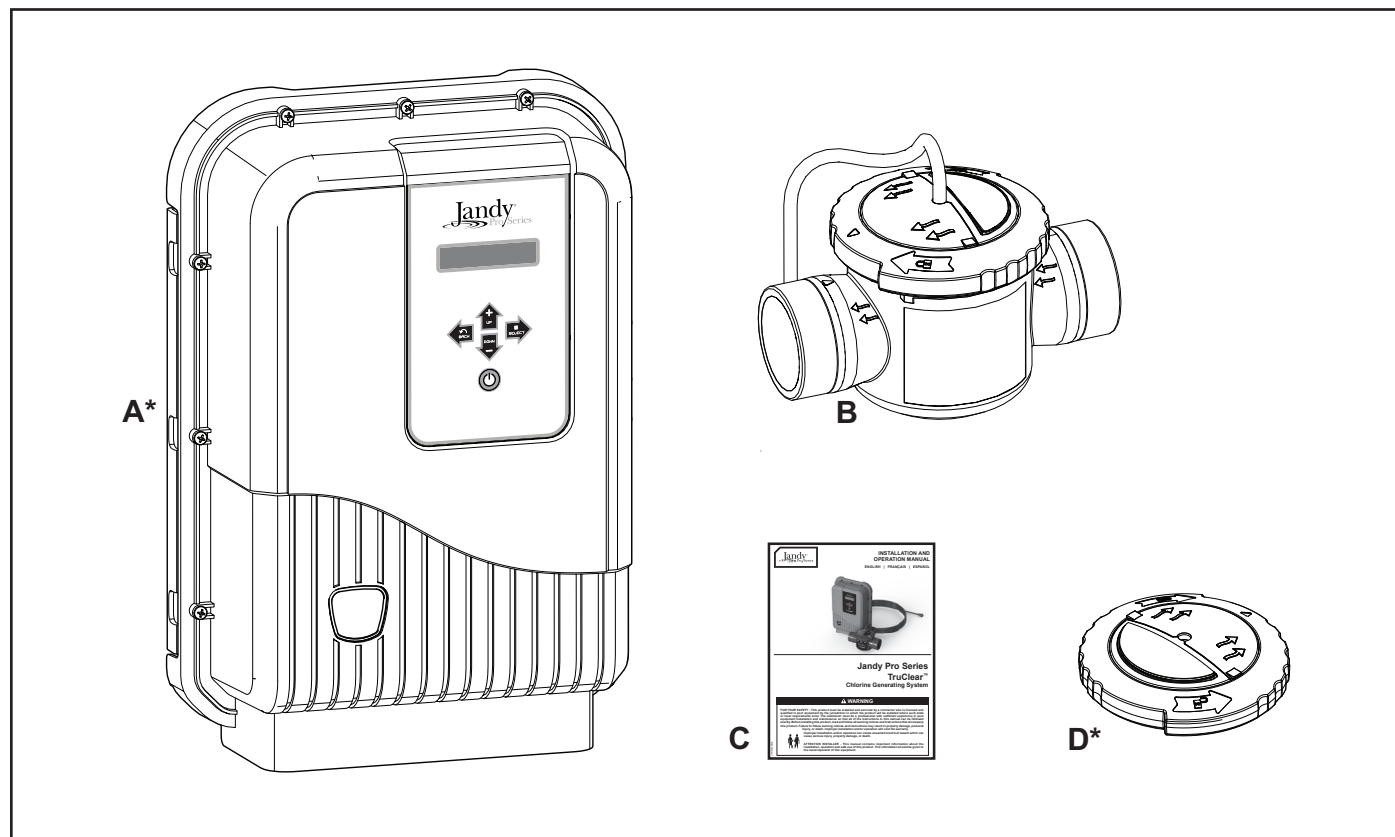


Figura 2. Contenidos de la caja

### Ítems incluidos

ÍTEM	DESCRIPCIÓN	CANT.
A	Paquete de energía	1
B	Celda (el artículo que se muestra es la celda estándar; otra opción disponible es una versión con uniones)	1
C	Manual de instalación y funcionamiento	1

\* Los artículos se venden por separado como repuestos.

ÍTEM	DESCRIPCIÓN	PIEZA N.º	
D	Tapa de presurización, instalación y preparación para el invierno	R0621900	CELDA TRUCLEAR
No se muestra	Celda TruClear, reemplazo (sin carcasa)	R0693900	
No se muestra	Carcasa TruClear, reemplazo (sin celda)	R0694000	
No se muestra	Junta tórica TruClear, reemplazo	R0694100	
No se muestra	Pieza de cola de junta tórica	R0449200	
A	Paquete de energía	R0802200	PAQUETE DE ENERGÍA
No se muestra	Cubierta de paquete de energía TruClear11P, reemplazo	R0663800	
No se muestra	PCB TruClear, conjunto de reemplazo	R0802300	
No se muestra	Juego de tornillos de cubierta TruClear	R0609400	
No se muestra	Conjunto de transformador TruClear	R0802400	

## Sección 3. Instrucciones de instalación

### ⚠ ADVERTENCIA

**PARA SU SEGURIDAD:** este producto debe ser instalado y mantenido por un técnico profesional de servicio, especializado en piscinas/hidromasajes, como se indica en la portada de este manual. Los procedimientos indicados en este manual se deben seguir con exactitud. Si no se siguen los avisos de advertencia ni las instrucciones, es posible que se produzcan daños materiales, lesiones graves o la muerte. Si la instalación o la operación se llevan a cabo incorrectamente, la garantía quedará anulada.

### ⚠ ADVERTENCIA

**EQUIPO BAJO PRESIÓN:** siempre apague la bomba antes de instalar o reparar el dispositivo generador de cloro Jandy. El sistema de bomba/filtro funciona bajo presión y la presión debe liberarse antes de comenzar a trabajar. Consulte el manual del usuario de la bomba o del filtro para obtener instrucciones adicionales.

Desconecte la alimentación eléctrica del sistema en el disyuntor principal antes de realizar este procedimiento para evitar el riesgo de descarga eléctrica que puede provocar daños materiales, lesiones graves o la muerte.

Antes de comenzar la instalación, compruebe que dispone de las herramientas correctas y de una ubicación adecuada para instalar el paquete de energía y la celda. Asegúrese de haber leído y entendido la sección Instrucciones importantes de seguridad.

### 3.1 Materiales y herramientas

#### Herramientas y materiales necesarios para la instalación

- Juego de tornillos (anclajes de plástico)
- Taladro inalámbrico (o eléctrico)
- Broca para hormigón o mecha de rotopercutor de 6 mm (15/64 in) (solo necesaria para perforar ladrillo u hormigón)
- Lápiz o marcador
- Destornillador Phillips o mecha de cabeza Phillips
- Cemento gris WELD-ON® 724™ de CPVC (recomendado)

### 3.2 Requisitos de instalación

#### ⚠ ADVERTENCIA

En Canadá, la celda electrolítica generadora de cloro Jandy debe instalarse en el exterior. La celda debe instalarse horizontalmente con el cable de cara hacia arriba para evitar que se acumulen gases inflamables que podrían provocar un INCENDIO o una EXPLOSIÓN.

Los requisitos de instalación para el dispositivo generador de cloro Jandy son los siguientes:

- Instale el paquete de energía a un mínimo de 0,6 m (2 pies) por encima del suelo para protegerlo de salpicaduras de agua a presión, como la proveniente de rociadores de irrigación y de impactos o daños mecánicos. Asegúrese también de que esté fuera del alcance de los niños. Consulte y respete todos los códigos y reglamentos de instalación nacionales y locales correspondientes que puedan ser exigidos por las autoridades competentes (AHJ) locales o autoridades competentes de Canadá.

- En EE. UU., el paquete de energía debe instalarse al menos a 1,5 m (5 pies) de la pared interior de la piscina o del hidromasaje. En Canadá, debe instalarse al menos a 3 m (10 pies) de esa pared interior.
- Se debe instalar la celda en una longitud horizontal de 0,4 m (16 in) de tubo después de los calentadores, las bombas y los filtros, como la última pieza de equipo en el sistema de hidráulica de circulación (ver la Figura 3).
- La celda debe instalarse a no más de 4,6 m (15 pies) del paquete de energía (ver la Figura 3).
- Se recomienda instalar la celda a 25 cm (10 in) de cualquier codo de 90°.



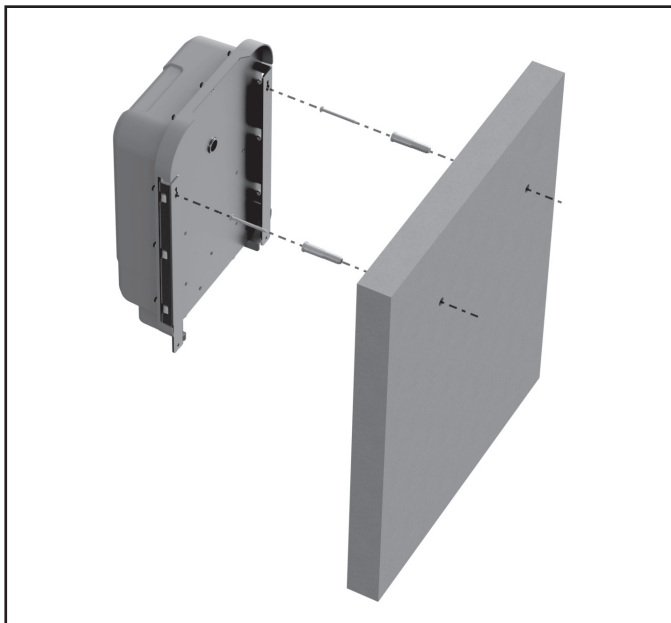
Figura 3. Requisitos de instalación

### 3.3 Instalación del paquete de energía

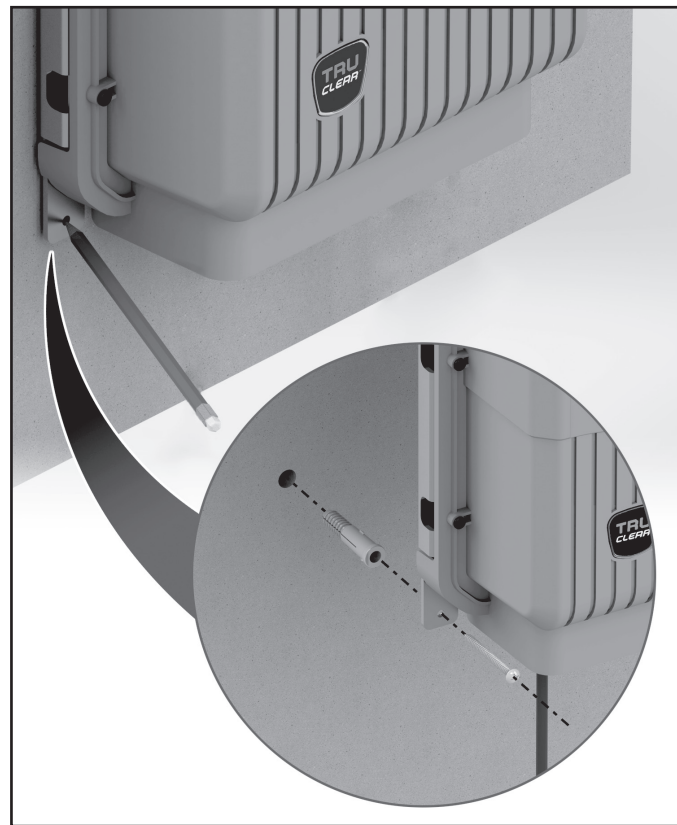
1. Asegúrese de que la colocación de la celda y del paquete de energía cumpla con todos los requisitos de instalación descritos en la sección 3.2.
2. Determine la ubicación deseada en la pared para montar el paquete de energía.
3. Marque y perforo los dos orificios superiores en la pared usando la plantilla incluida en la Guía de inicio rápido. La distancia desde el centro de los dos orificios es de 25,4 cm (10 in). Use un nivel y la plantilla para localizar la posición exacta de los orificios.



4. Apriete los tornillos en los orificios y cuelgue el paquete de energía de los dos orificios superiores de la placa posterior.



5. Con el paquete de energía colocado, marque la posición de los dos orificios inferiores.



6. Retire el paquete de energía, perforo los dos orificios inferiores y coloque los anclajes de los tornillos en su posición.
7. Monte el paquete de energía suspendiéndolo de los dos tornillos superiores que ya están colocados; después apriete los dos tornillos inferiores para finalizar la instalación.

#### **⚠ ADVERTENCIA**

Para evitar daños materiales, lesiones graves o la muerte, no opere la celda electrolítica si no hay agua en circulación o si la carcasa de la celda está dañada o mal ensamblada. La acumulación de gases inflamables puede provocar un INCENDIO o una EXPLOSIÓN. El paquete de energía debe estar interconectado con la fuente de alimentación del motor de la bomba de la piscina para garantizar que el clorador solo funcione cuando la bomba de la piscina esté en funcionamiento. La función de sensor de flujo de Jandy TruClear está diseñada para utilizarse solamente a modo de respaldo y no se debe utilizar como la única fuente de detección de flujo.

### 3.4 Instalación de la celda

#### ⚠ ADVERTENCIA

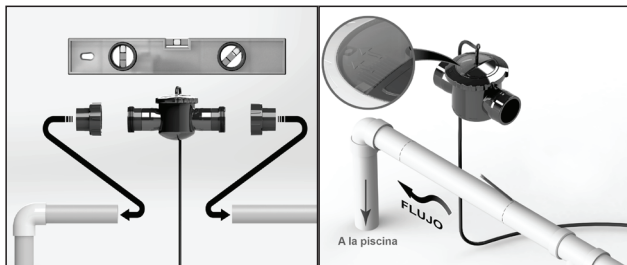
En Canadá, la celda electrolítica generadora de cloro Jandy debe instalarse en el exterior. La celda debe instalarse horizontalmente con el cable de cara hacia arriba para evitar que se acumulen gases inflamables que podrían provocar un INCENDIO o una EXPLOSIÓN.

#### Instalación estándar

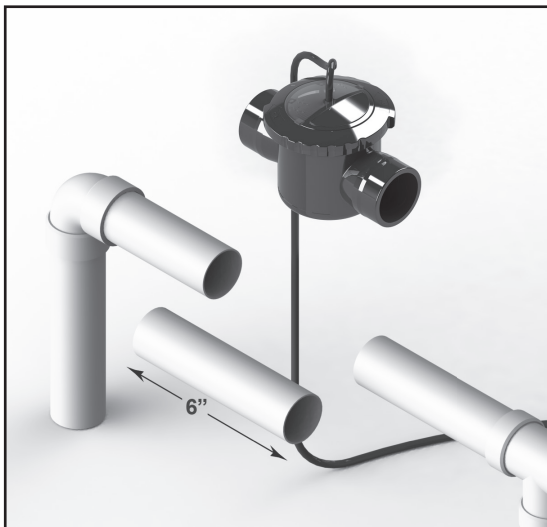
La instalación estándar consiste en conectar la unidad de carcasa de TruClear directamente al sistema de hidráulica de la piscina, sin el uso de uniones roscadas.

1. Determine la ubicación deseada de la celda como la última pieza del equipo antes de la entrada de retorno hacia la piscina, en un segmento de tubo de por lo menos 40 cm (16 in) de largo. La celda debe montarse verticalmente en un tubo que esté tendido a menos de  $\pm 5^\circ$  del nivel (paralelo al suelo). La celda no puede montarse en un tubo vertical o inclinado.

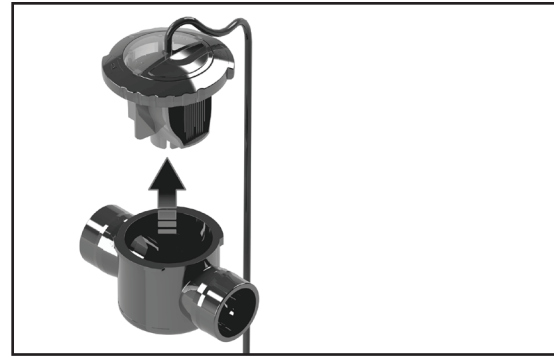
**NOTA** Se debe instalar la celda en una longitud horizontal de 40 cm (16 in) de tubo después de los calentadores, las bombas y los filtros, como la última pieza del equipo en el sistema de hidráulica de circulación, y antes de la entrada a la piscina (ver la Figura 1).



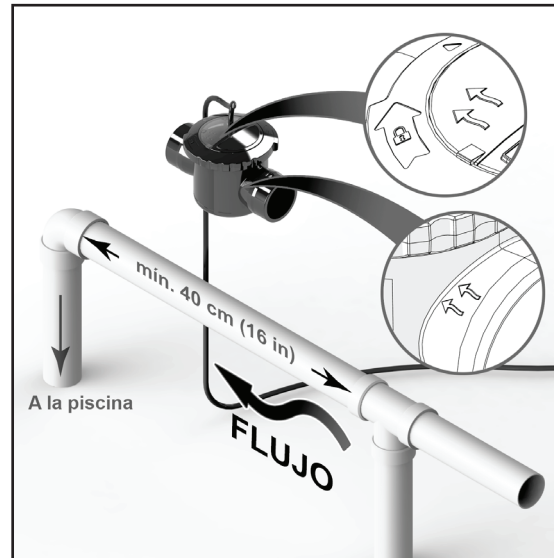
2. Haga los recortes apropiados en el tubo en donde instalará la celda. El espacio entre los cortes debe ser de 15,24 cm (6 in).



3. Quite la celda de la carcasa y conecte la carcasa al tubo asegurándose de que las flechas del indicador de flujo de la carcasa coincidan con la dirección de flujo del agua. Los tubos deben estar limpios y secos antes de pegarlos.



**NOTA** Si la dirección del flujo de agua no coincide con las flechas de la carcasa, la celda no funcionará bien.



4. Deje secar el sistema según las instrucciones que proporcione el fabricante del pegamento.
5. Cuando el pegamento seque, instale la celda en la carcasa correspondiente. Para proteger la celda, ajuste el anillo de bloqueo y asegúrese de que las flechas de indicación de flujo de la tapa transparente coincidan con las flechas de la carcasa de la celda.
6. Inicie el sistema y verifique que el caudal de agua sea correcto.

#### ⚠ ADVERTENCIA

Para evitar daños materiales, lesiones graves o la muerte, no opere la celda electrolítica si no hay agua en circulación o si la carcasa de la celda está dañada o mal ensamblada.

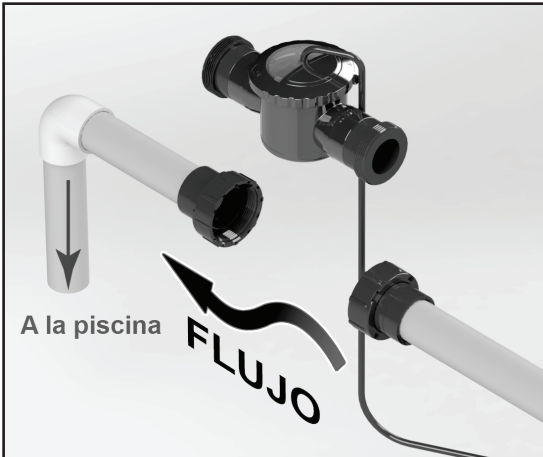
#### Instalación modernizada

La instalación modernizada es un sistema TruClear diseñado de fábrica con uniones roscadas integradas en la unidad de carcasa. Este método puede usarse para reemplazar un generador de cloro existente o como una nueva instalación.

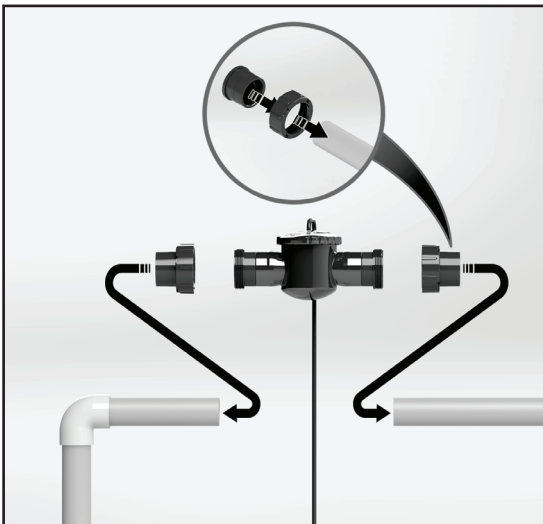
1. Determine la ubicación deseada de la celda como la última pieza del equipo antes de la entrada de retorno hacia la piscina, en un segmento de tubo de por lo menos 40 cm (16 in) de largo. La celda debe montarse verticalmente en un tubo que esté tendido a menos de  $\pm 5^\circ$  del nivel (paralelo al suelo). La celda no puede montarse en un tubo vertical o inclinado.



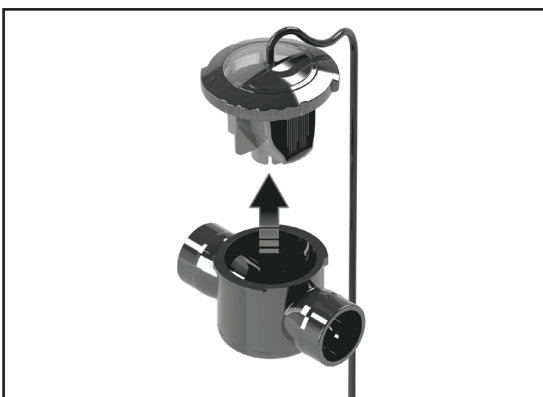
**NOTA** Se debe instalar la celda en una longitud horizontal de 40 cm (16 in) de tubo después de los calentadores, las bombas y los filtros, como la última pieza del equipo en el sistema de hidráulica de circulación, y antes de la piscina (ver la Figura 1).



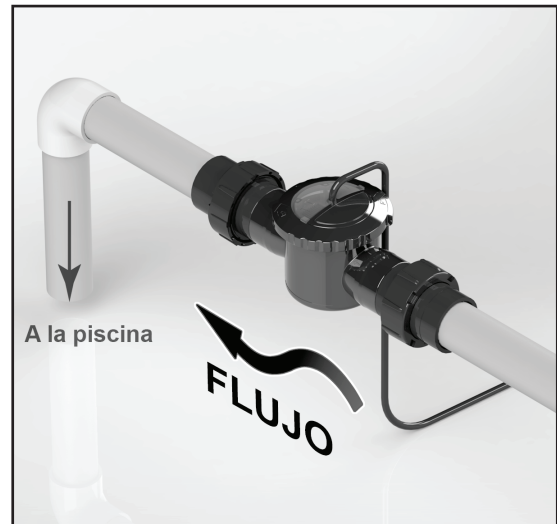
- Quite el equipamiento actual y haga los recortes apropiados en el tubo donde instalará la celda.



- Quite la celda de la carcasa y conecte la carcasa al tubo asegurándose de que las flechas del indicador de flujo de la carcasa coincidan con la dirección de flujo del agua. Los tubos deben estar limpios y secos antes de pegarlos.



**NOTA** Si la dirección del flujo de agua no coincide con las flechas de la carcasa, la celda no funcionará bien.



- Deje secar el sistema según las instrucciones que proporcione el fabricante del pegamento. Cuando el pegamento seque, inicie el sistema y verifique que el caudal de agua sea correcto. Asegúrese de que la celda esté cerrada (bloqueada en la carcasa) antes de encender la bomba de filtrado.

#### **⚠ ADVERTENCIA**

Para evitar daños materiales, lesiones graves o la muerte, no opere la celda electrolítica si no hay agua en circulación o si la carcasa de la celda está dañada o mal ensamblada.

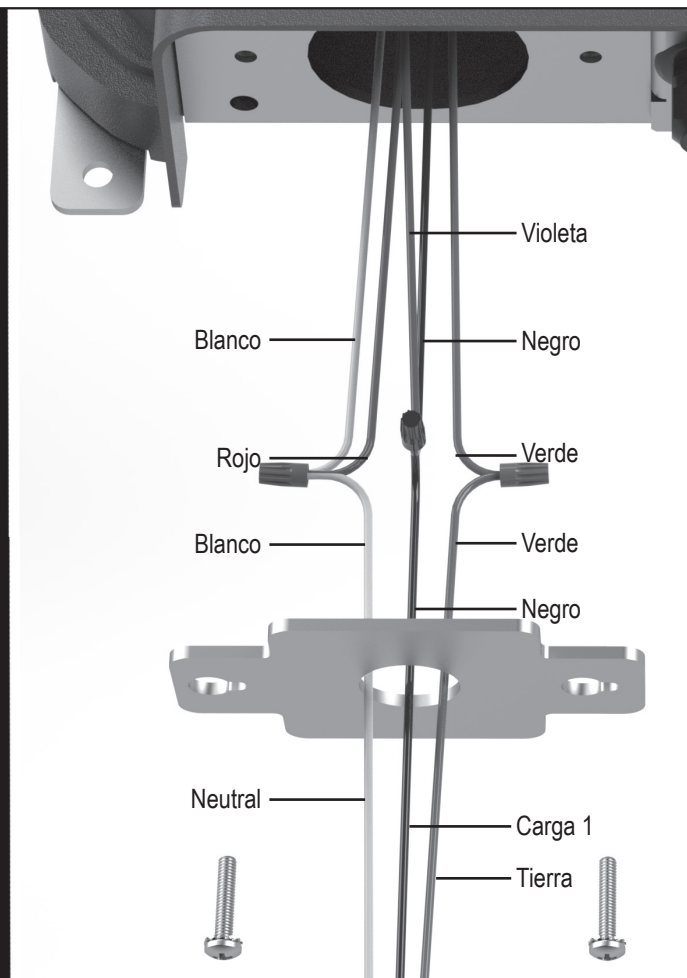
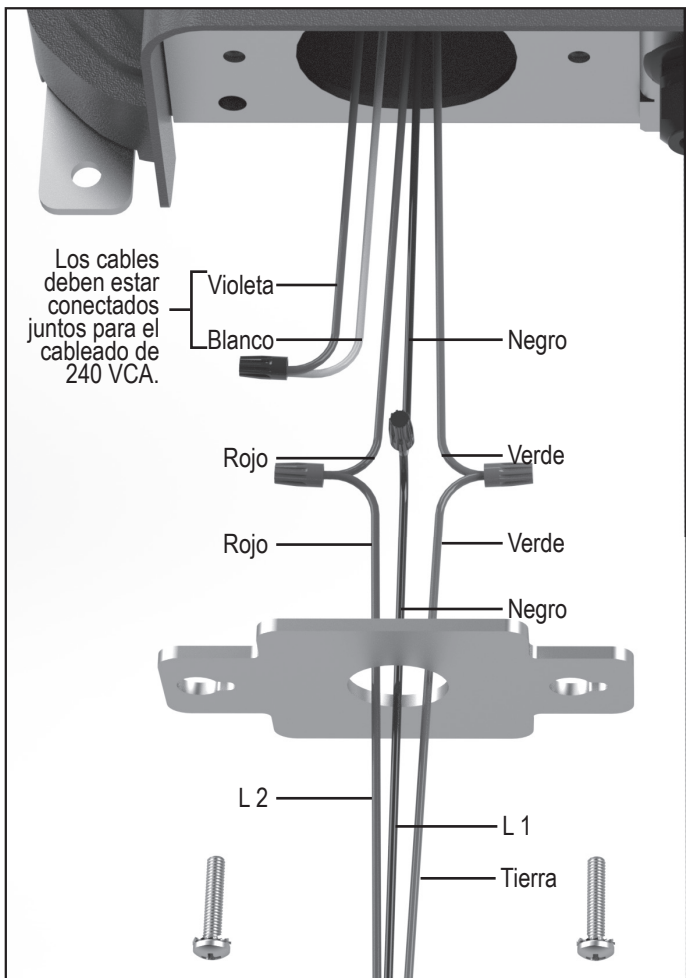
### 3.5 Conexión del paquete de energía a la fuente de alimentación

#### **⚠ ADVERTENCIA**

Al usar equipos eléctricos, siempre se deberán seguir las siguientes precauciones básicas:

- PELIGRO: RIESGO DE DESCARGA ELÉCTRICA QUE PUEDE PROVOCAR LESIONES GRAVES O LA MUERTE. Antes de intentar una instalación o realizar tareas de servicio, asegúrese de que el suministro de alimentación que va al dispositivo esté desconectado/apagado en la caja del disyuntor. Conecte solamente a un ramal del circuito que esté protegido por un interruptor de circuito por falla a tierra (GFCI).
- Se requiere una conexión a tierra. La instalación de la unidad debe estar a cargo de un representante calificado de servicio, y la unidad debe estar unida y conectada a tierra correctamente (vea la sección 3.6, Conexiones eléctricas y puesta a tierra).
- Para evitar daños materiales, lesiones graves o la muerte, use la placa posterior del chasis del paquete de energía para conectar cualquier otro equipo a tierra.
- Instale el equipo para permitir el acceso para servicio.
- Para seleccionar el tamaño del conductor de campo de manera apropiada, tenga en consideración la longitud del circuito y los códigos de instalación aplicables. **Solo un profesional calificado debe intentar el cableado.**

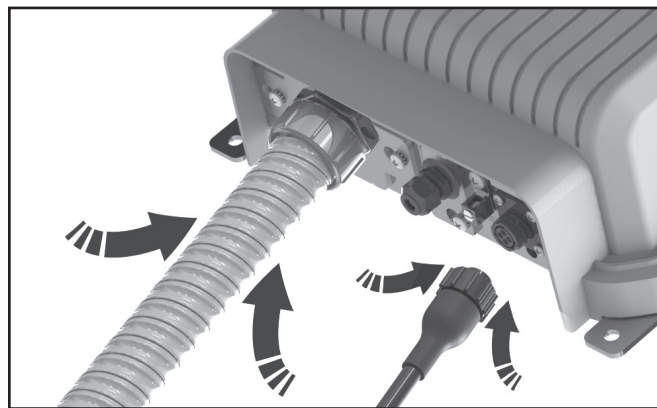




**Figura 4. Cableado con una bomba de filtro de 240 VCA**

**Figura 5. Cableado con una bomba de filtro de 120 VCA**

1. Conecte el paquete de energía a la fuente de alimentación de la bomba de la piscina usando cable aislado de 3,3 mm<sup>2</sup> (12 AWG) y conducto eléctrico. Dirija el paquete de energía hacia el lado LOAD de la bomba de filtrado o el lado LOAD del relé temporizador de la bomba de filtrado para que el clorador se active únicamente cuando se activa la bomba de la piscina (ver la Figura 4 para 240 VCA y la Figura 5 para 120 VCA).
2. Retire la placa de montaje eléctrico que suministra el cable de alimentación al paquete de energía.
3. Pase el cable de alimentación a través de la placa de montaje.
4. Conecte el conducto eléctrico a la placa de montaje.
5. Haga las conexiones de los cables. Nota: El cable verde debe conectarse al punto de conexión a tierra (ver la Figura 4 para 240 VCA y la Figura 5 para 120 VCA).
6. Coloque todas las conexiones y los cables dentro del paquete de energía y asegure firmemente la placa de montaje eléctrico.



### 3.6 Instalación de RS485 para sistema de automatización Jandy

El paquete de energía viene equipado con un conector RS485 deslizable. El conector RS485 se usa para conectar el sistema de cloración Jandy TruClear al sistema de automatización AquaLink® actual o a uno nuevo.

1. Afloje, pero NO quite, los dos tornillos que sostienen el soporte del conector RS485 en su posición.
2. Deslice y exponga el terminal de conexión RS485 de 4 clavijas.
3. Desde una abertura auxiliar en el sistema de automatización, pase el cable RS485 hasta el terminal de conexión RS485 de 4 clavijas.

#### **⚠ ADVERTENCIA**

Para seleccionar el tamaño del conductor de campo de manera apropiada, tenga en consideración la longitud del circuito y los códigos de instalación aplicables. El conductor de tierra debe ser como mínimo de 12 AWG.

7. Conecte la celda al paquete de energía.

4. Desatornille la tuerca de acople del cable, pase los cables RS485 y vuelva a ajustar la tuerca.
5. Pase los cables por la ranura central del soporte.
6. Con un pequeño destornillador de cabeza plana, conecte los cables desde el sistema de automatización. Haga coincidir los colores con los cables que ya están instalados desde el paquete de energía.
7. Una vez hecha la conexión, la interfaz de usuario debería mostrar “Standby †”.



8. Siga las instrucciones del sistema de automatización para continuar con la configuración y programación del dispositivo.
9. Cuando esté confirmada la correcta comunicación, vuelva a instalar el soporte del conector RS485 en el cuerpo del paquete de energía.
10. Si no se establece una correcta comunicación, comience con el paso 3 y vuelva sobre los pasos anteriores.
11. Si aun así no se establece la comunicación, comuníquese con Soporte técnico llamando al 800-822-7933.

**NOTA** TruClear no captura la lectura de salinidad de la piscina. Cuando se conecta a un sistema de automatización, se muestra el nivel de salinidad objetivo de 3000 ppm. Se muestra el mensaje “General Error” si el nivel de sal o la temperatura, o ambos, son bajos.

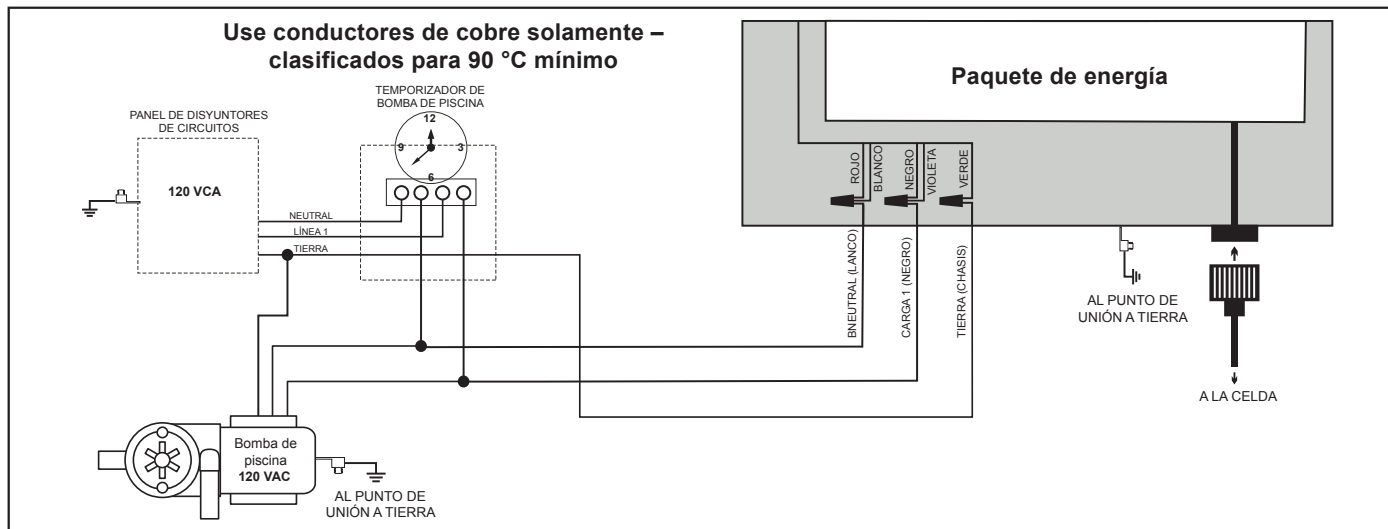
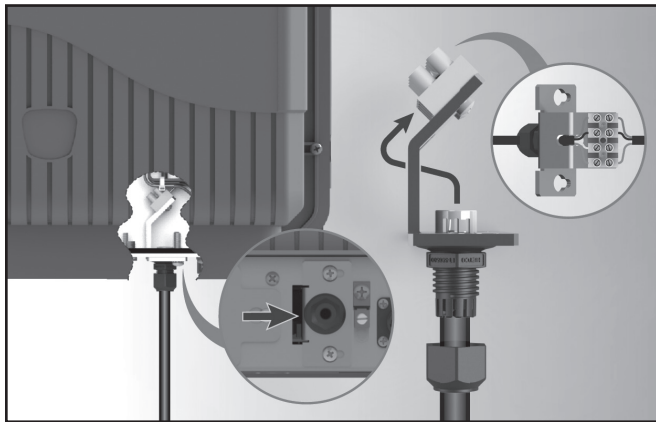


Figura 6. Esquema eléctrico con una bomba de filtro de 120 VCA

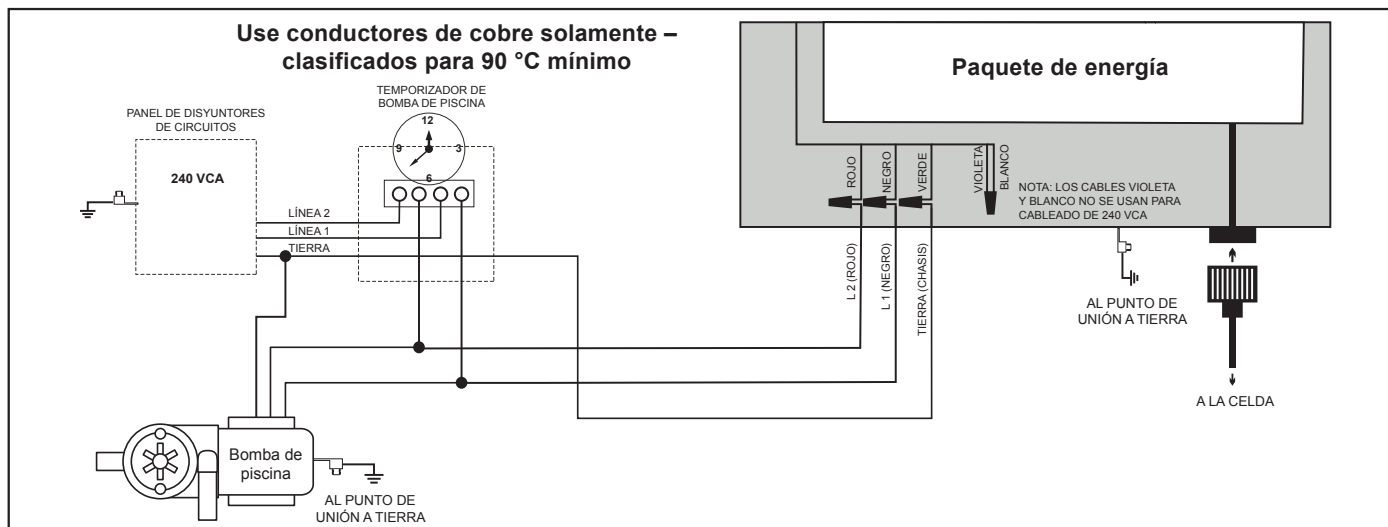


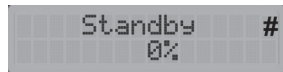
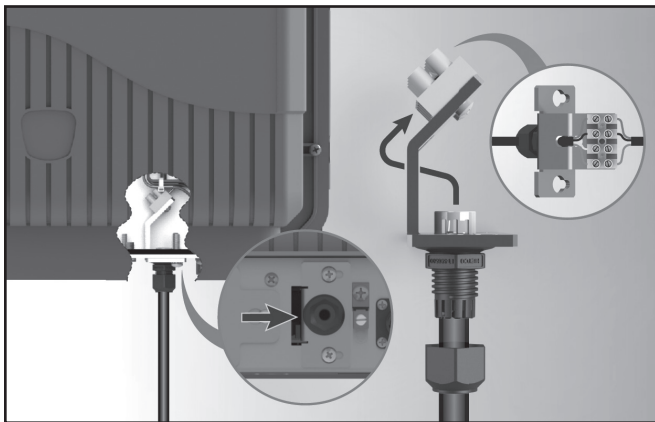
Figura 7. Esquema eléctrico con una bomba de filtro de 240 VCA

### 3.7 Cuando se usa en instalaciones que no son de automatización y con la bomba de velocidad variable de Jandy

Como se indicó en la Sección 3.3, el paquete de alimentación debe estar interconectado con la fuente de alimentación del motor de la bomba de la piscina para garantizar que el clorador solo funcione cuando esté encendida la bomba de la piscina. El sistema de cloración Jandy TruClear cuya revisión de firmware sea F o una versión posterior podrá controlar el estado de la bomba de velocidad variable Jandy para que no funcione TruClear si no está encendida la bomba.

La fuente de alimentación viene equipada con un conector RS485 deslizable. El conector RS485 se utiliza para conectar el sistema de cloración Jandy TruClear a una bomba de velocidad variable Jandy nueva o existente.

1. Afloje, pero NO quite, los dos tornillos que sostienen el soporte del conector RS485 en su posición.
2. Deslice y exponga el terminal de conexión RS485 de 4 clavijas.
3. Desde la bomba de velocidad variable Jandy, extienda un cable RS485 paralelo (al controlador existente) a la terminal de conexión RS485 de 4 pines.
4. Desatornille la tuerca de acople del cable, pase los cables RS485 y vuelva a ajustar la tuerca.
5. Pase los cables por la ranura central del soporte.
6. Use un destornillador de cabeza plana para instalar los cables de la bomba de velocidad variable Jandy. Haga coincidir los colores con los cables que ya están instalados desde el paquete de energía.
7. Una vez hecha la conexión, la interfaz de usuario debería mostrar "Standby #".

8. Cuando esté confirmada la correcta comunicación, vuelva a instalar el soporte del conector RS485 en el cuerpo del paquete de energía.
9. Si no se establece una correcta comunicación, comience con el paso 3 y vuelva sobre los pasos anteriores.
10. Si aun así no se establece la comunicación, comuníquese con Soporte técnico llamando al 800-822-7933.

### 3.8 Conexiones eléctricas y puesta a tierra

National Electrical Code® (NEC® en Estados Unidos) y el Código de Electricidad en Canadá (CEC en Canadá) exigen que los equipamientos para piscinas estén unidos entre sí. Revise los códigos locales para determinar si la autoridad competente (AHJ en Estados Unidos) o las autoridades locales competentes de Canadá implementan el NEC o el 13.3 mm<sup>2</sup> (6AWG) por CEC u otros códigos de instalación locales. Se recomienda un cable sólido de cobre de 8,37 mm<sup>2</sup>, (8 AWG) conforme al NEC y al CEC, para unir el paquete de energía a una conexión permanente que sea aceptable para la AHJ local o las autoridades competentes de Canadá. Consulte los códigos implementados localmente para determinar el calibre aceptado del cable de unión. Conecte el punto de unión localizado en la parte inferior de la placa posterior del chasis a un punto de unión común. No use el paquete de energía como el punto de unión común. Cada pieza de equipamiento no relacionado con la piscina que requiera conexión a tierra también deberá conectarse al punto de unión común aprobado. Debe haber una conexión de unión al paquete de energía. En Canadá, el CEC indica que el conductor de unión debe ser como mínimo de 13,3 mm<sup>2</sup> (6 AWG).

El Código Eléctrico Nacional® (NEC®) requiere la unión del agua de la piscina. Donde ninguno de los equipos, estructuras o piezas de la piscina unidos están en conexión directa con el agua de la piscina; el agua de la piscina debe estar en contacto directo con una superficie conductora resistente a la corrosión aprobada que exponga no menos de 5800 mm<sup>2</sup> (9 in<sup>2</sup>) del área de la superficie al agua de la piscina en todo momento. La superficie conductora se ubicará donde no esté expuesta a daños físicos o desplazamiento durante las actividades habituales de la piscina, y se unirá de acuerdo con los requisitos de unión del Artículo 680 de NEC. Consulte los códigos impuestos localmente para conocer los requisitos de unión adicionales.

### 3.9 Instrucciones del sistema de hidráulica de retorno dividido: para sistemas de limpieza integrados al piso

Si el clorador se usa con un sistema de limpieza integrado al piso, debe instalarse en una línea de retorno especializada por separado o, de lo contrario, se dañará el clorador.

**NOTA** No instale el clorador en sistemas integrados al piso que no tengan un retorno especializado hacia la piscina, como se muestra en la Figura 8.

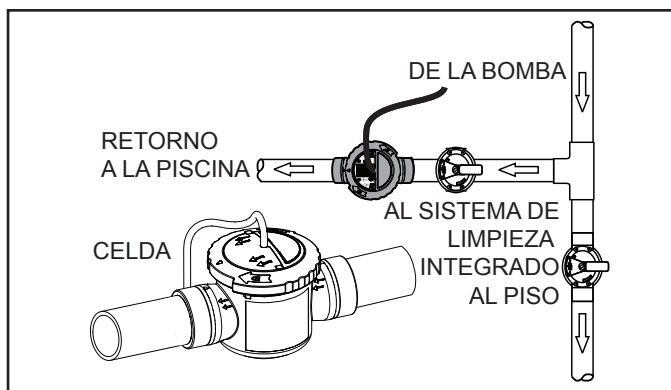


Figura 8. Nueva hidráulica de la piscina para sistemas integrados al piso

## Sección 4. Preparación del agua de la piscina



### ADVERTENCIA PARA EL INSTALADOR: REVISE LA QUÍMICA DEL AGUA ANTES DE OPERAR LA CELDA.

Dedique un momento a probar la dureza total (TH) del agua antes de continuar.

1. Extraiga la tira de prueba del envase de papel aluminio. Procure no tocar el papel aluminio con los dedos húmedos.
2. Sumérjala a 15 cm (6") de profundidad durante 2 segundos. Si la prueba es en un hidromasaje, asegúrese de que los jets estén apagados.
3. Extraiga la tira con el indicador hacia arriba.
4. Sacuda una vez para eliminar el exceso de agua.
5. Espere 10 segundos.
6. Compare el color de la tira de prueba con el gráfico de colores impreso incluido en el paquete de la tira.

El rango ideal es de 200 a 400. Si el valor de la TH medida es mayor que 800, debe ajustar la química del agua antes de operar la celda. Si la química del agua no es la adecuada, se producirán una rápida calcificación y averías en la celda electrolítica.

### 4.1 Determinación del tamaño de la piscina (litros de agua)

- **Piscinas rectangulares**  
Longitud (metros) x ancho (metros) x profundidad promedio (metros) x 1000 = capacidad en litros.
- **Piscinas circulares**  
Radio (metros) x radio (metros) x 3,14 x profundidad promedio (metros) x 1000 = capacidad en litros.

**NOTA** Cuando se pone en marcha una piscina por primera vez, se recomienda realizar el tratamiento de choque con una fuente alternativa; es decir, usar un tratamiento de choque disponible en la tienda del proveedor local de artículos para piscinas.

- **Piscinas ovaladas**  
Radio corto (metros) x radio largo (metros) x 3,14 x profundidad promedio (metros) x 1000 = capacidad en litros.

### 4.2 Determinación del tamaño de la piscina (galones de agua)

- **Piscinas rectangulares**  
Longitud (pies) x ancho (pies) x profundidad promedio (pies) x 7,5 = capacidad en galones.
- **Piscinas circulares**  
Radio (pies) x radio (pies) x 3,14 x profundidad promedio (pies) x 7,5 = capacidad en galones.
- **Piscinas ovaladas**  
Radio largo (pies) x radio corto (pies) x 3,14 x profundidad promedio (pies) x 7,5 = capacidad en galones.

### 4.3 Conceptos químicos que necesita conocer

- Se necesita un **estabilizador de cloro** (ácido cianúrico) para mantener los niveles correctos de cloro. La mayoría del cloro no estabilizado se destruye debido a la radiación UV del sol en menos de dos (2) horas. Se debe mantener el estabilizador del cloro entre 30 y 50 ppm. En piscinas para interiores, no es necesario agregar estabilizador de cloro al agua de la piscina.
- Los **nitratos** pueden provocar demandas de cloro extremadamente altas y agotarán el cloro de la piscina. En algunos casos, los nitratos pueden incluso reducir los niveles de cloro a cero. El profesional de piscinas local puede efectuar una prueba de nitratos. Asegúrese de que no haya nitratos presentes en la piscina.
- Los **metales** (algunos) pueden provocar pérdida de cloro y manchar la piscina. Pídale al profesional de piscinas local que revise los metales y recomiende métodos de eliminación.
- No debe haber **cloro combinado (cloramina)** presente en el agua de la piscina. Cuando los materiales orgánicos se combinan con cloro libre, se forma cloramina. Esto inmoviliza el cloro libre de la piscina y no permite que el cloro actúe como desinfectante. La cloramina también enturbia el agua de la piscina y produce ardor en los ojos. Aplique el tratamiento de choque para eliminar la cloramina durante el arranque inicial de la piscina.
- El **tratamiento de choque o súper cloración** mejora la capacidad del cloro para oxidar desechos orgánicos, ya que elimina el cloro combinado (CC). Para medir el cloro combinado (CC), reste el cloro libre (FC) del cloro total (TC) (TC - FC = CC). Para determinar cuánto cloro de choque (cloro de disolución rápida) se necesitará para aplicar un tratamiento de choque a la piscina, deberá calcular el nivel de cloro al punto de ruptura (BPC). Para determinar el cloro al punto BPC necesario, multiplique el nivel de CC por 10. Luego reste el nivel de FC.



A continuación se presenta la fórmula:

Cloro al punto de ruptura (BPC) = ((CC X10) - FC)  
 por ejemplo: si FC=1,0 ppm y CC=0,7 ppm, el nivel de BPC sería de 6,0 ppm. Fórmula: ((0,7x10) - 1,0)=6,0

El profesional de piscinas local puede ayudarlo con este cálculo o puede suministrarle kits de prueba que incluyan esta información. Si la unidad se opera al 100 % por 24 horas, también se puede lograr una cloración al punto de ruptura. Si persisten una claridad disminuida del agua o evidencia de algas, su distribuidor de piscinas local puede sugerirle pasos adicionales para desinfectar el agua de la piscina y eliminar la presencia de cloramina.

Es imprescindible lograr un equilibrio correcto del agua para que disfrute su experiencia con la piscina o el hidromasaje y para garantizar una vida útil prolongada de la celda.

- El pH del agua de la piscina o del hidromasaje permite medir si el agua presenta acidez o formación de sarro. Por lo general, el agua fría es más ácida, mientras que el agua caliente es más propensa a la formación de sarro. El rango ideal de pH en una piscina o un hidromasaje es de 7,4 a 7,6, independientemente de la temperatura. Si permite que se eleve el pH sobre 7,6 y el generador de cloro está funcionando, el calcio en el agua puede cubrir las placas metálicas de la celda. Esto podría obstruir el flujo de agua y provocar una reducción en la eficiencia, además de posibles daños en la celda. Si permite que el pH disminuya por debajo de 7,4, el agua se volverá más ácida y disolverá los componentes metálicos en el sistema de hidráulica de la piscina; las placas metálicas de la celda serán el principal objetivo.
- **Sólidos disueltos totales (TDS).** Al agregar sal al agua de la piscina se elevará el nivel de TDS. Aunque esto no afecta de manera negativa la química del agua de la piscina ni su claridad, la prueba profesional de TDS del agua de la piscina debe realizarse teniendo en cuenta que se agregó sal para el sistema de desinfección. El individuo que realice la prueba de TDS tendrá entonces que restar el nivel de salinidad para calcular el nivel de TDS correcto.
- El **agua de piscina nueva** en una piscina que se haya llenado o restaurado recientemente puede contener materia indeseable que podría interferir con la capacidad del clorador de agua salada para desinfectar correctamente. Asegúrese de que un profesional de piscinas pruebe el agua y que esté balanceada correctamente antes de encender el sistema de cloración. Las piscinas nuevas de yeso tienen una demanda constante de ácido durante seis (6) meses. Realice pruebas frecuentes y mantenga un pH apropiado para evitar la formación de sarro en la celda.

- El **índice de saturación de Langelier** es un método estándar para determinar las posibilidades de que el agua de la piscina sea corrosiva o tenga formación de sarro. El factor pH, la alcalinidad total (TA), la temperatura, la dureza cálcica y los sólidos disueltos totales (TDS) cumplen un papel importante en el cálculo del índice de saturación final.

**NOTA** Cuando se pone en marcha una piscina por primera vez, se recomienda realizar el tratamiento de choque con una fuente alternativa; es decir, usar un tratamiento de choque disponible en la tienda del proveedor local de artículos para piscinas.

Índice de saturación = pH + AF + CF + TF - 12,1*					
Factor A=(AF), Factor C=(CF), Factor T=(TF)					
Alcalinidad total		Dureza cálcica		Temperatura	
Factor A		Factor C		Factor T	
PPM	Valor del factor	PPM	Valor del factor	°F	Valor del factor
5	= 0,7	5	= 0,9	32	= 0,0
25	= 1,4	25	= 1,0	37	= 0,1
50	= 1,7	50	= 1,3	46	= 0,2
75	= 1,9	75	= 1,5	53	= 0,3
100	= 2,0	100	= 1,6	60	= 0,4
150	= 2,2	150	= 1,8	66	= 0,5
200	= 2,3	200	= 1,9	76	= 0,6
300	= 2,5	300	= 2,1	84	= 0,7
400	= 2,6	400	= 2,2	94	= 0,8
800	= 2,9	800	= 2,5	105	= 0,9

El índice de saturación 0 indica el equilibrio perfecto.  
 Un índice de saturación negativo presenta tendencias corrosivas.  
 Un índice de saturación positivo presenta tendencias de formación de sarro.  
 Un índice de saturación de +0,3 o -0,3 es ideal.  
 \* Un índice 12,1 debe modificarse a -12,2 si el nivel de TDS se mide en 1000 ppm o más.

#### 4.4 Condiciones óptimas del agua de la piscina

De conformidad con las normas de Association of Pool and Spa Professionals® (APSP®), se recomienda mantener las siguientes condiciones de equilibrio del agua en forma continua para proteger el acabado de la piscina y su equipamiento, y para garantizar una apariencia placentera del agua. Se garantiza que el equipo Jandy funcionará correctamente solo si se cumplen las siguientes condiciones:

**Cloro libre:** los niveles ideales deben ser de entre 1,0 y 3,0 ppm.

**Cloro combinado (cloramina):** ninguno. Use el tratamiento de choque (cloro de disolución rápida para eliminar toda la cloramina).

**pH:** de 7,4 a 7,6 (use ácido muriático para reducir el pH y ceniza de soda para elevar el pH).



**Estabilizador de cloro (ácido cianúrico):** de 30 a 50 ppm (solo para piscinas en exteriores).

**Alcalinidad total:** de 80 a 120 ppm en EE. UU.; de 100 a 120 ppm en Canadá.

**Dureza cálcica:** de 200 a 400 ppm.

**Metales (hierro, manganeso):** ninguno.

**Nitratos:** ninguno.

**Fosfatos:** ninguno.

**Temperatura:** superior a 16 °C (60 °F).

## 4.5 Recolección de una muestra de agua

Para recolectar correctamente una muestra de agua a fin de usarla con el kit de prueba casero o para proporcionársela al distribuidor de piscinas local, puede seguir las siguientes sugerencias de buenas prácticas.

- Nunca use contenedores de vidrio en el área de la piscina.
- Seleccione una ubicación bastante alejada de los acoples de retorno que devuelven el agua a la piscina.
- Tome el contenedor y póngalo cabeza abajo para atrapar el aire y luego gírelo cabeza arriba 46 cm (18 in) debajo de la superficie del agua. Lleve el contenedor a la superficie y tápelo.

## 4.6 Sal (NaCl, cloruro de sodio)

### Cuándo agregar sal

Agregue sal a la piscina si el nivel es demasiado bajo (vea la tabla 1).

Para una piscina nueva o recién restaurada, se recomienda esperar al menos 30 días (la superficie debe estar totalmente curada) antes de agregar sal. No haga funcionar el clorador en este momento. Realice una cloración manual de la piscina. Contacte a su distribuidor para obtener recomendaciones. Siga los lineamientos del fabricante de la superficie de la piscina específica. En cuanto a las piscinas de vinilo y fibra de vidrio, puede agregarse sal desde el principio.

### Qué tipo de sal utilizar

- Entre más pura sea la sal, mejores serán la vida útil y el rendimiento de la celda electrolítica. Use una sal que tenga por lo menos una pureza de NaCl del 99,8 %. La sal debe ser no yodada, de calidad alimentaria, granulada y evaporada. Consulte en la tienda de piscinas.
- Evite usar sal con agentes antiaglomerantes (ferrocianuro de sodio, también conocido como YPS o prusiato amarillo de soda) que puedan provocar cierta decoloración de los acoples y los acabados de la superficie de la piscina.
- Los gránulos (pellets) de sal para acondicionamiento de agua son formas comprimidas de sal evaporada que pueden usarse, pero tardan más en disolverse.
- **No** use cloruro de calcio como fuente de sal. Use cloruro de sodio solamente.
- **No** use sal de roca, ya que las impurezas insolubles mezcladas con la sal de roca pueden acortar la vida útil de la unidad.

### Cuánta sal se debe utilizar

Use tiras de prueba de salinidad, un medidor de TDS/salinidad u otro método confiable para probar la salinidad del agua de la piscina. Una vez que se establezca la salinidad existente, use la tabla 1 para determinar la cantidad de sal que se debe agregar a fin de alcanzar el nivel deseado. Tenga cuidado en el momento de agregar sal, ya que es más fácil agregar más si es necesario que diluirla si hay demasiada.

- Se recomiendan 3000 ppm de sal para que las condiciones del agua sean óptimas.
- Una baja concentración de sal menor que 2500 ppm provocará una avería prematura de la celda.
- Una alta concentración de sal superior a 6000 ppm puede provocar daños por corrosión en las conexiones de la piscina.

### PRECAUCIÓN

Es importante señalar que ciertos materiales utilizados en torno a las piscinas y a los hidromasajes tal vez no sean compatibles con los químicos que se utilizan comúnmente para purificar el agua de la piscina y del hidromasaje (por ejemplo, ácidos, cloro, sal, estabilizadores, etc.).



Zodiac Pool Systems LLC no garantiza que el agua clorada generada por el dispositivo generador de cloro Jandy no vaya a dañar o destruir ciertos tipos de plantas, cubiertas, coronas y otros materiales en torno a su piscina o hidromasaje. Antes de seleccionar los materiales que se utilizarán en torno a su piscina o hidromasaje, hable sobre todas las opciones con su contratista para evaluar la compatibilidad de dichos materiales y productos químicos. Cuando mezcle ácido con agua, **AGREGUE SIEMPRE EL ÁCIDO AL AGUA. NUNCA AGREGUE EL AGUA AL ÁCIDO.**

Algunas consideraciones útiles para tener en cuenta:

- Seleccione plantas que puedan soportar las salpicaduras de agua que contenga cloro o sal y demás químicos de purificación del agua.
- Todos los componentes de metal utilizados en torno a una piscina deben ser de acero inoxidable de alto grado y alta calidad.

- Seleccione con cuidado los productos de mampostería. La porosidad y la dureza de las piedras naturales varían de manera considerable. Por lo tanto, recomendamos consultar con su constructor o contratista experto en piedras en cuanto a la mejor opción para los materiales de piedra alrededor de su piscina o hidromasaje.
- Selle todos los productos de mampostería. Los profesionales en la industria de las piedras ornamentales especifican que incluso la piedra natural, en especial si se usa en ambientes exteriores, debe sellarse para evitar la erosión, el manchado y la degradación prematura. Consulte con su contratista de piedras ornamentales o cubiertas en cuanto al sellador correcto para los productos de mampostería que seleccionó para usar alrededor de su piscina o hidromasaje.
- Para resultados óptimos, vuelva a aplicar los selladores con regularidad. Vuelva a aplicar el sellador protector siguiendo un cronograma según las instrucciones del fabricante.
- El uso de productos químicos que no sean los recomendados puede ser peligroso. Siga las instrucciones de los fabricantes de productos químicos.

**Cómo agregar sal a la piscina**

1. Encienda la bomba para circular el agua de la piscina.
2. **IMPORTANTE:** Apague el paquete de energía manteniendo presionado el botón ON/OFF durante 6 segundos.
3. Pruebe el nivel de salinidad del agua usando tiras de prueba o un medidor electrónico, o recurra al profesional de piscinas de su localidad.
4. Use la tabla 1 para determinar la cantidad de sal que se debe agregar. Tenga cuidado en el momento de agregar sal, ya que es más fácil agregar más si es necesario que diluirla si hay demasiada.
5. Disperse la sal en la piscina. No agregue a través del succionador, el drenaje principal o el tanque de compensación. Cepille la sal alrededor de la piscina para facilitar su disolución. Ponga en circulación el sistema de filtrado durante 24 horas para garantizar una distribución uniforme.
6. Después de 48 a 72 horas, verifique que haya una lectura de sal correcta probando el nivel de salinidad del agua; para ello, use tiras de prueba o un medidor electrónico, o recurra al profesional de piscinas de su localidad.
7. Cuando el nivel de salinidad sea correcto, encienda el paquete de energía. Presione los botones  para establecer la tasa de producción deseada. 

**NOTA** Para una piscina nueva o recién restaurada, se recomienda esperar al menos 30 días (la superficie debe estar totalmente curada) antes de agregar sal. Siga los lineamientos del fabricante de la superficie de la piscina específica. En cuanto a las piscinas de vinilo y fibra de vidrio, puede agregarse sal desde el principio.

**Tabla 1. Libras y kilogramos aproximados de sal necesarios para obtener 3,0 gpl (3000 ppm)**

Nivel de sal actual ppm	Tamaño de piscina/hidromasaje - galones de EE. UU. (litros)					
	10 000 gal (38 000 l)	15 000 gal (57 000 l)	20 000 gal (76 000 l)	25 000 gal (95 000 l)	30 000 gal (114 000 l)	35 000 gal (132 000 l)
0	250 lb (114 kg)	376 lb (170 kg)	501 lb (227 kg)	626 lb (284 kg)	751 lb (341 kg)	876 lb (397 kg)
250	229 lb (104 kg)	344 lb (156 kg)	459 lb (208 kg)	574 lb (260 kg)	688 lb (312 kg)	803 lb (364 kg)
500	209 lb (95 kg)	313 lb (142 kg)	417 lb (189 kg)	522 lb (237 kg)	626 lb (284 kg)	730 lb (331 kg)
750	188 lb (85 kg)	282 lb (128 kg)	376 lb (170 kg)	469 lb (213 kg)	563 lb (256 kg)	657 lb (298 kg)
1000	167 lb (76 kg)	250 lb (114 kg)	334 lb (151 kg)	417 lb (189 kg)	501 lb (227 kg)	584 lb (265 kg)
1250	146 lb (66 kg)	219 lb (99 kg)	292 lb (132 kg)	365 lb (166 kg)	438 lb (199 kg)	511 lb (232 kg)
1500	125 lb (57 kg)	188 lb (85 kg)	250 lb (114 kg)	313 lb (142 kg)	376 lb (170 kg)	438 lb (199 kg)
1750	104 lb (47 kg)	156 lb (71 kg)	209 lb (95 kg)	261 lb (118 kg)	313 lb (142 kg)	365 lb (166 kg)
2000	83 lb (38 kg)	125 lb (57 kg)	167 lb (76 kg)	209 lb (95 kg)	250 lb (114 kg)	292 lb (132 kg)
2250	63 lb (28 kg)	94 lb (43 kg)	125 lb (57 kg)	156 lb (71 kg)	188 lb (85 kg)	219 lb (99 kg)
2500	42 lb (19 kg)	63 lb (28 kg)	83 lb (38 kg)	104 lb (47 kg)	125 lb (57 kg)	146 lb (66 kg)
2750	21 lb (9 kg)	31 lb (14 kg)	42 lb (19 kg)	52 lb (24 kg)	63 lb (28 kg)	73 lb (33 kg)
3000	Óptimo	Óptimo	Óptimo	Óptimo	Óptimo	Óptimo

**Tabla 2. Libras y kilogramos aproximados de estabilizador necesarios para obtener 3,0 gpl (50 ppm)**

Nivel actual de ácido cianúrico - ppm	Tamaño de piscina/hidromasaje - galones de EE. UU. (litros)					
	10 000 gal (38 000 l)	15 000 gal (57 000 l)	20 000 gal (76 000 l)	25 000 gal (95 000 l)	30 000 gal (114 000 l)	35 000 gal (132 000 l)
0	(4,2 lb) 1,9 kg	(6,3 lb) 2,9 kg	(8,4 lb) 3,8 kg	(10,5 lb) 4,8 kg	(12,6 lb) 5,7 kg	(14,8 lb) 6,7 kg
10	(3,4 lb) 1,5 kg	(5,1 lb) 2,3 kg	(6,7 lb) 3,1 kg	(8,4 lb) 3,8 kg	(10,1 lb) 4,6 kg	(11,8 lb) 5,4 kg
20	(2,5 lb) 1,1 kg	(3,8 lb) 1,7 kg	(5,1 lb) 2,3 kg	(6,3 lb) 2,9 kg	(7,6 lb) 3,4 kg	(8,9 lb) 4,0 kg
30	(1,7 lb) 0,8 kg	(2,5 lb) 1,2 kg	(3,4 lb) 1,5 kg	(4,2 lb) 1,9 kg	(5,1 lb) 2,3 kg	(5,9 lb) 2,7 kg
40	(0,8 lb) 0,4 kg	(1,3 lb) 0,6 kg	(1,7 lb) 0,8 kg	(2,1 lb) 1,0 kg	(2,5 lb) 1,2 kg	(3,0 lb) 1,3 kg

**NOTA** En piscinas para interiores, no es necesario agregar estabilizador de cloro al agua de la piscina.

## Sección 5. Instrucciones de funcionamiento




### 5.1 Encendido/apagado del paquete de energía (en forma manual)

Para encender o apagar el dispositivo generador de cloro Jandy, presione el botón .

Si lo presiona rápidamente, el clorador se pondrá en modo de espera (“standby”). Si está en modo de espera y presiona rápidamente el botón, regresará al modo de cloración (“chlorinating”). Si mantiene el botón presionado durante 6 segundos, el clorador se apagará por completo.

**NOTA** Como el paquete de energía está conectado a la fuente de alimentación de la bomba, este solo se puede encender cuando se enciende la bomba.

### 5.2 Selección de idioma

Mantenga presionados los botones  al mismo tiempo, durante 5 segundos, para acceder al menú de servicio. Use el botón  para seleccionar un idioma. Presione el botón  para salir cuando se haya hecho la selección.



### 5.3 Encendido/apagado del paquete de energía (con el temporizador externo de la bomba)

Si se conecta el paquete de energía al temporizador externo de la bomba y se enciende la unidad, el paquete de energía se encenderá y apagará automáticamente cuando la bomba se encienda y se apague (vea la sección 3.5). Cuando el paquete de energía se conecta como tal, la única configuración que debe ajustarse en forma manual es el nivel de producción de cloro (vea la sección 5.4).

### 5.4 Nivel de producción de cloro

Al definir el nivel de producción de cloro, estos son los factores para tener en cuenta:

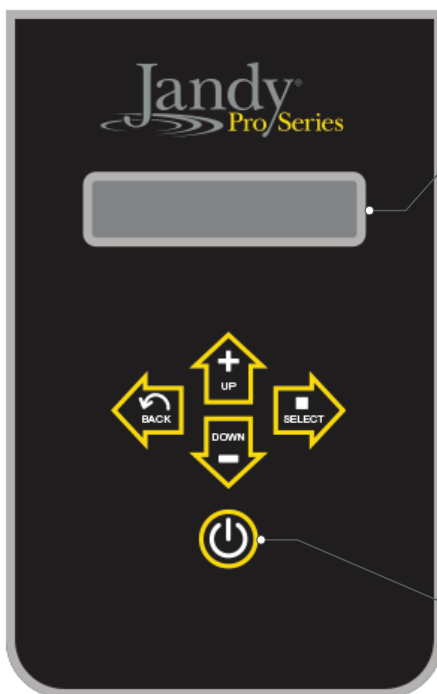
- cantidad de galones en la piscina
- cantidad de bañistas (carga de bañista)
- cantidad de polen y polvo que ingresan al agua
- cantidad de horas de funcionamiento de la bomba
- si se utiliza una bomba de velocidad variable o simple
- temperatura ambiente y del agua
- cantidad de agua de lluvia que ingresa a la piscina

Un buen punto inicial para las piscinas de 15 mil galones o menos debe ser 40 %. Las piscinas de entre 25 y 30 mil galones deben usar 60 % como punto inicial.

Si advierte que estos niveles no producen el nivel de 1 a 3 ppm de cloro residual deseado, eleve el nivel de producción para compensar.

Si descubre que el nivel de producción se acerca a un valor de entre el 90 % y el 100 %, y la prueba del agua de la piscina no muestra cloro residual o su valor es muy bajo, tal vez necesite aplicar un tratamiento de choque manual a la piscina porque se ha acumulado una carga de desecho en el agua de la piscina y está sobresaturando el cloro que suministra a la piscina. Otra causa podría ser la falta de niveles apropiados de ácido cianúrico (CYA) para proteger el cloro de los rayos UV del sol.

**NOTA** La unidad funciona solamente mientras la bomba se encuentra en funcionamiento. Un mayor tiempo de funcionamiento de la bomba producirá más cloro en el agua.



• **PANTALLA**  
Muestra el estado de TruClear™ y el porcentaje de producción de cloro.

Standby  
0%

Indica que TruClear está en el modo de espera y no producirá cloro aunque la bomba de filtrado esté funcionando.

Starting...

Indica que TruClear detectó la activación de la bomba de filtrado y está iniciando la producción de cloro.


Chlorinating  
10%


Indica que TruClear está produciendo cloro y muestra el porcentaje de producción actual.


Standby  
0%

Indica que TruClear está conectado a un sistema de automatización remoto mediante RS485\*.

Presione este botón para encender el sistema. Manténgalo presionado durante 6 segundos para apagar el sistema por completo. Si lo presiona rápidamente una sola vez, el sistema alternará entre el modo Standby y el modo Auto cuando no esté conectado a un sistema de automatización remoto mediante RS485\*.

 Durante condiciones normales de funcionamiento, las flechas hacia arriba y abajo se usan para establecer el nivel de producción del clorador.

 La producción debe ajustarse para alcanzar el nivel deseado de cloro libre disponible, que es de 2 a 4 ppm.



 El botón Back permite guardar los cambios que se hayan hecho en el menú y regresar a la pantalla de menú anterior. El botón Select permite desplazarse por los parámetros disponibles y abrirlos para editarlos.

\*Cuando se conecta a un sistema de automatización mediante RS485, el control completo del sistema TruClear se delega en el controlador de automatización. No se conserva ninguna funcionalidad en la interfaz de usuario de TruClear. Para controlar el dispositivo TruClear desde la interfaz de usuario, primero debe ponerse al sistema de automatización en el modo de servicio. Para ver más detalles del modo de servicio, consulte el manual de funcionamiento del controlador que usa:

• AquaLink® RS: 6594 • Z4: H0386500 • PDA: H0572300

Con todas las variables antes mencionadas, puede llevar un par de semanas encontrar la tasa de producción correcta para la piscina.

Para ajustar el nivel de producción, siga estos pasos:

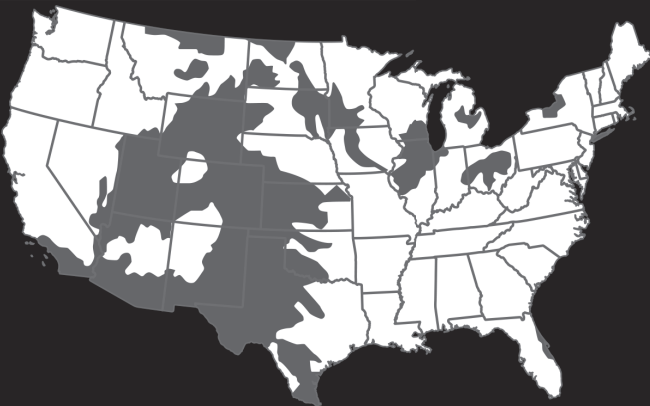
1. Encienda el paquete de energía presionando el botón .
2. Presione los botones  para alcanzar el nivel de producción deseado. El ajuste mínimo es de 10 %. La producción puede ajustarse en incrementos de 10 % hasta el 100 %. Así se controla la cantidad de tiempo de funcionamiento de la celda.


**⚠ PRECAUCIÓN**

Nunca use ácido seco para ajustar el pH en áreas geográficas áridas con evaporación excesiva y dilución mínima del agua de la piscina con agua limpia. Una concentración de productos derivados puede dañar la celda electrolítica.

**IMPORTANTE** Pruebe siempre los niveles de cloro de la piscina antes de cada uso. Durante el uso exigido donde aumenta la cantidad de bañistas, los niveles de cloro pueden agotarse rápidamente y exigir más ajustes. Supervise el cloro de cerca y tome las medidas apropiadas para mantener el residuo de cloro libre recomendado de 1 a 3 ppm.

Si el nivel de dureza total (TH)\* supera los 400 ppm o si reside en un área de aguas duras, se recomienda que cambie el tiempo de inversión de polaridad predeterminado de 5 horas y lo repita cada 3 horas (ver las instrucciones al reverso).



 Áreas conocidas con aguas duras  
\*Se incluyen tres (3) tiras de prueba de TH en total.



**Para cambiar el tiempo de inversión de polaridad** predeterminado de 5 horas a las 3 horas recomendadas, presione las flechas hacia arriba y abajo al mismo tiempo para acceder al menú de servicio.




**La inspección y limpieza regulares** constituyen la mejor manera de extender la vida útil del clorador. Revise la celda en busca de formación de sarro. Si debe limpiarla más de una vez al mes, también se recomienda cambiar la inversión de polaridad cada 3 horas.




**Si tiene otras preguntas, comuníquese con el Servicio de atención al cliente llamando al (800) 822-7933.**

©2020 Zodiac Pool Systems LLC. Todos los derechos reservados. ZODIAC® es una marca registrada de Zodiac International, S.A.S.U., utilizada bajo licencia. Todas las demás marcas registradas son propiedad de sus respectivos propietarios.

Figura 9. Dureza total (Estados Unidos)

## 5.6 Modo BOOST/LOW (refuerzo/bajo)



El modo BOOST puede usarse para maximizar la producción de cloro durante un período breve. Para activar el modo BOOST, presione simultáneamente los botones  y . El refuerzo se activará después de 24 horas. Para apagar el modo BOOST manualmente, presione el botón .

El modo LOW puede usarse para minimizar la producción de cloro cuando se active. Para activar el modo LOW, presione simultáneamente los botones  y . El modo LOW permanecerá activado de manera indefinida. Para apagarlo, presione el botón .

## 5.7 Inversión de polaridad

El dispositivo generador de cloro Jandy es una celda de polaridad reversible, lo cual significa que la celda cambiará en forma periódica su polaridad para ayudar a prevenir la acumulación de calcio en las placas. Esto se conoce algunas veces como función automatizada de limpieza de la celda. Durante la transición entre el cambio de polaridad hay un breve período cuando la celda no produce nada de cloro. Una vez que cambie de polaridad, continuará produciendo cloro.

En áreas con aguas duras (ver el mapa en la Figura 9), se recomienda ajustar manualmente el tiempo de inversión de polaridad de cinco horas a tres horas. Para hacer el cambio, mantenga presionadas las flechas hacia arriba y abajo al mismo tiempo para entrar al modo de servicio. Consulte la Figura 9.

Presione una vez la tecla de la flecha derecha para seleccionar "Cyc=". Use el botón  para alternar entre ciclos de tres, cinco y siete horas. Presione el botón  para salir.

**NOTA** Durante el período de espera ("WAIT"), aparecerá el mensaje de limpieza ("CLEANING") en la pantalla. El indicador de nivel de producción quedará como esté configurado durante el período de limpieza.

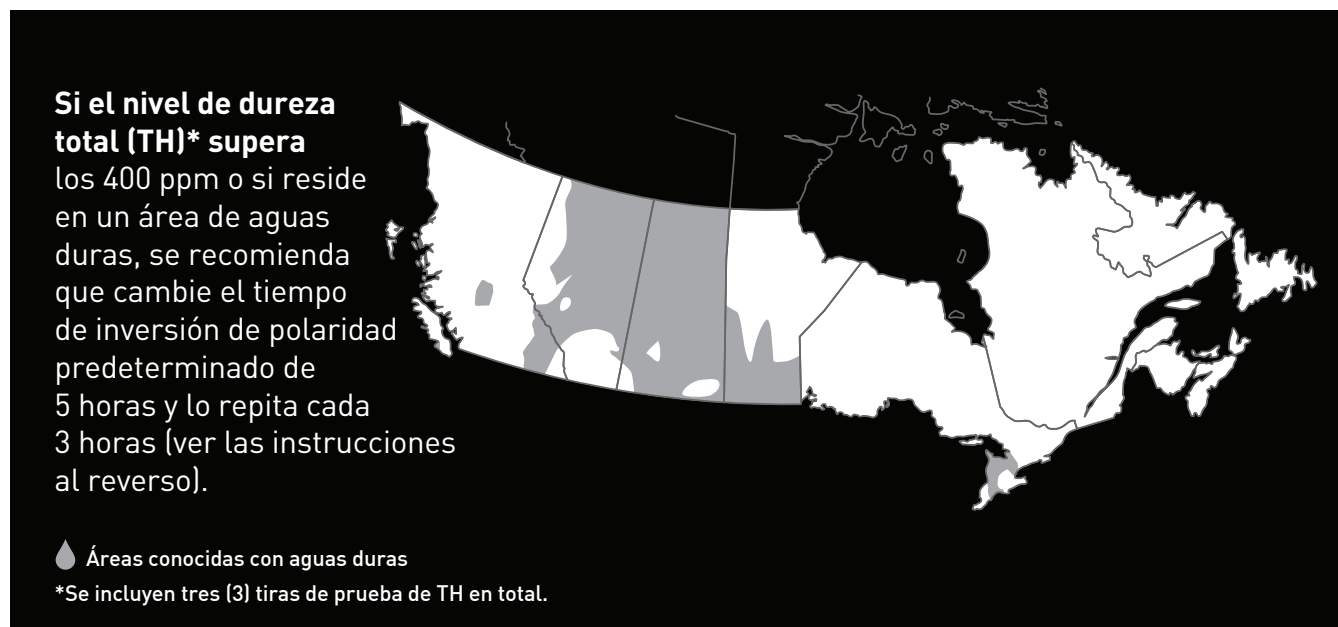


Figura 10. Mapa de aguas duras (Canadá)



## Sección 6. Mantenimiento

Antes de dar servicio al dispositivo generador de cloro Jandy, asegúrese de leer y entender la sección Instrucciones de seguridad importantes.

### 6.1 Semanal

1. **Prueba de cloro.** Pruebe el nivel de cloro del agua de la piscina con un kit de prueba confiable. Mantenga un rango ideal ajustando el nivel de producción de cloro en el paquete de energía (vea la sección 5.4) o, si es necesario, complemente el clorador con cloro seco o líquido adicional. El nivel de cloro libre recomendado es de 1 a 3 ppm. Consulte en la sección 4.5 las instrucciones sobre cómo recolectar una muestra de agua.

**NOTA** Nunca use contenedores de vidrio en el área de la piscina. Es difícil ver el vidrio roto bajo el agua.

2. **Prueba del nivel de pH.** Pruebe el nivel de pH de la piscina con un kit de prueba. Si es necesario, ajuste para mantener un nivel de pH de 7,4 a 7,6 (vea la sección 4.3).
3. **Prueba de alcalinidad total.** Pruebe la alcalinidad total del agua de la piscina con un kit de prueba. Siga los pasos necesarios para mantener una alcalinidad de 80 a 120 ppm (EE. UU.) o 100 a 120 ppm (Canadá) (vea la sección 4.3).
4. **Dureza cálcica.** Pruebe el nivel de dureza cálcica en el agua de la piscina usando un kit de prueba o pida a un profesional de piscinas que pruebe una muestra de agua. Ajuste según sea necesario para mantener una dureza cálcica de 175 a 400 ppm (vea la sección 4.3).

### 6.2 Mensual

1. **Verifique la celda.** Se recomienda inspeccionar la celda cada mes en busca de sarro o depósitos de calcio. Los depósitos crujientes de color claro que se conocen como sarro se forman en el agua excesivamente dura o debido a que el agua de la piscina está desequilibrada. Tras la instalación del dispositivo de generación de cloro Jandy revise la celda una vez al mes en busca de presencia de sarro. Sujete el grupo de placas a una fuente de luz, de modo que esta pueda verse a través de las placas. Si la luz se puede ver fácilmente a través de las placas o si es visible una pequeña cantidad de sarro, no es necesario limpiar la celda. Vuelva a instalarla. Por otra parte, si la luz apenas puede verse a través de las placas o si está totalmente bloqueada por el sarro, entonces hay que limpiar la celda. Vea las instrucciones en la sección 6.3.

**NOTA** La limpieza excesiva puede reducir la vida útil de la celda.

2. **Prueba del nivel de sal.** Use tiras de prueba de salinidad, un medidor de TDS/salinidad u otro método confiable para probar la salinidad del agua de la piscina. Una vez que se establezca la salinidad

existente, use la tabla 1 para determinar la cantidad de sal que se debe agregar a fin de alcanzar el nivel deseado. Tenga cuidado en el momento de agregar sal, ya que es más fácil agregar más si es necesario que diluirla si hay demasiada. Si el nivel de salinidad de la piscina es correcto y la luz LED de sal no se apaga, vea la sección 7. Solución de problemas.

3. **Muestra de agua de la piscina.** Lleve la muestra de agua a la tienda de piscinas de su localidad para que la prueben.
4. **Estabilizador (ácido cianúrico).** Pruebe el nivel de estabilizador en el agua de la piscina (ácido cianúrico) usando un kit de prueba o pida a un profesional de piscinas que pruebe una muestra de agua. Mantenga un rango ideal de 30 a 50 ppm. Siga las recomendaciones de su profesional en piscinas y consulte todos los reglamentos locales y federales para asegurarse de que el rango ideal sea adecuado para sus condiciones específicas. En piscinas para interiores, no es necesario agregar estabilizador de cloro al agua de la piscina.
5. **Prueba de metales.** Se recomienda probar el agua de la piscina en forma periódica, en busca de presencia de metales, como hierro y manganeso. Estos metales no deben estar presentes en el agua de la piscina. Si están presentes esos metales, contacte al profesional de piscinas de su localidad.

### 6.3 Limpieza de la celda

#### **⚠ PRECAUCIÓN**

Desconecte la alimentación eléctrica del sistema en el disyuntor principal antes de realizar este procedimiento para evitar el riesgo de descarga eléctrica que puede provocar daños materiales, lesiones graves o la muerte.

Si en la celda tiende a acumularse sarro, se recomienda quitar la celda todos los meses e inspeccionarla en busca de formación de sarro o residuos. Algunos filtros permiten el paso de residuos a la celda, los cuales pueden atascarse entre las placas de la celda. Es normal que se forme una pequeña cantidad de sarro. Si al ver a través de la celda observa que hay una formación excesiva de sarro entre las placas o si hay residuos presentes, se deberá limpiar la celda de la siguiente manera:

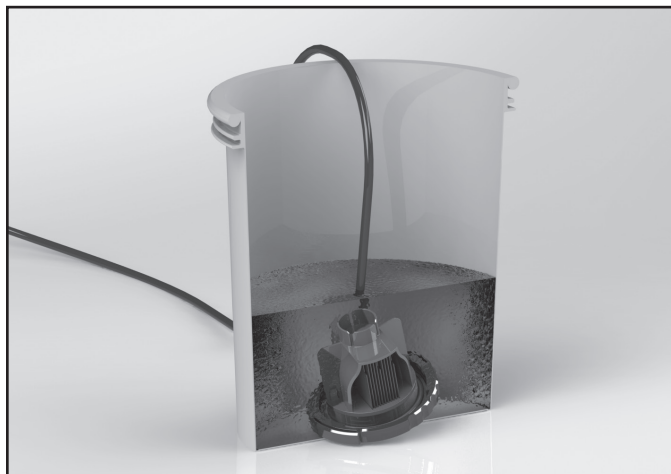


1. Asegúrese de que toda la alimentación hacia el paquete de energía y el controlador esté desconectada en el disyuntor.
2. Antes de retirar la celda para limpiarla, apague las válvulas necesarias para evitar pérdida de agua.
3. Abra la válvula de alivio de aire en el filtro para liberar la presión que pudiera haber en el sistema de la piscina.
4. Afloje el anillo y quite la celda.
5. Utilice gafas y guantes protectores para agregar una (1) parte de ácido muriático en diez (10) partes de agua en una cubeta pequeña y mezcle la solución de limpieza.

### **⚠ PRECAUCIÓN**

- Cuando limpie la celda, use gafas y guantes protectores.
- Cuando mezcle ácido con agua, prepare la solución **AGREGANDO SIEMPRE EL ÁCIDO AL AGUA. NUNCA AGREGUE EL AGUA AL ÁCIDO.**
- Nunca use ácido muriático sin diluir. Utilice siempre la mezcla recomendada de ácido muriático y agua.

6. Sumerja la celda en esta solución de limpieza.



7. A continuación se producirá una reacción espumosa, provocada por la disolución del sarro (carbonato de calcio) de las placas. Si no comienza a aparecer espuma, entonces no es necesario limpiar la celda (**DETENGA EL PROCESO DE LIMPIEZA**; vaya al paso 10). Si la reacción sí empieza, deje la celda sumergida en la solución hasta que se haya detenido la espuma (aproximadamente de 5 a 10 minutos).

**NOTA** No use destornillador ni cualquier otro objeto metálico para remover los depósitos de calcio.

8. Enjuague la celda con agua limpia y realice de nuevo la inspección. Si aún hay una cantidad considerable de obstrucción, vuelva a sumergir las placas en la solución de limpieza, enjuague e inspeccione otra vez.

9. Una vez que limpie la celda, deseche la solución de conformidad con las regulaciones locales.
10. Enjuague la celda minuciosamente con agua limpia del grifo e inspeccione. Si hay depósitos todavía visibles en la celda electrolítica, repita el paso 6.

**NOTA** Un lavado con ácido excesivo dañará la celda electrolítica. **No deje la celda en ácido por más de 30 minutos.**

11. Una vez que la celda esté limpia, vuelva a instalarla como se describe en la sección 3.4.

### **⚠ ADVERTENCIA**

No energice ni utilice la unidad si la carcasa de la celda está dañada o mal ensamblada.

## **6.4 Preparación para el invierno**

**NOTA** No use etilenglicol (anticongelante) en el sistema.

Se necesita muy poco cloro en el agua fría. No se recomienda la operación del clorador debajo de los 13 °C (55 °F). Si el clorador se opera en agua fría, se puede acortar de manera drástica la vida útil de la celda.

Si no se toman medidas preventivas, el agua congelada puede provocar daños severos a la celda. Para evitar que la celda se dañe por congelamiento, haga funcionar la bomba en forma continua o prepare la piscina para el invierno drenando el agua de la bomba, el filtro y todas las líneas de entrada y de retorno. Quite la celda, límpiela y almacénela en el interior.

Puede comprar un tapón de preparación para el invierno (R0621900) para reemplazar la celda durante la preparación para el invierno o su mantenimiento. Esto permitirá que la bomba de la piscina ponga el agua en circulación con la celda fuera de la línea.

Durante períodos prolongados cuando el agua esté a menos de 13 °C (55 °F), hay que apagar la unidad y usar un flotador de cloro o alimentador de cloro por erosión; para ello, se coloca una pequeña cantidad de tabletas en cualquiera de estos dispositivos hasta que aumente la temperatura del agua. De este modo, prolongará la vida útil de la celda y proveerá un mejor rendimiento cuando las condiciones del agua mejoren.

## Sección 7. Solución de problemas

### ADVERTENCIA

Apague siempre la bomba antes de intentar realizar tareas de servicio o reparación. El sistema de bomba y filtro funciona bajo presión, y la presión debe liberarse antes de comenzar a trabajar, para evitar daños al sistema o lesiones personales. Abra la válvula de alivio de aire en el filtro de la piscina para liberar la presión que pudiera haber en el sistema.

### 7.1 Problemas y acción correctiva

Problema	Causa posible	Acción correctiva
Nivel de cloro bajo o nulo.	Nivel de estabilizador (ácido cianúrico) bajo en el agua de la piscina (solo para piscinas de exteriores).	Agregue estabilizador para mantener el nivel entre 30 y 50 ppm. Siga las recomendaciones de su profesional en piscinas y consulte todos los reglamentos locales y federales para asegurarse de que el rango ideal sea adecuado para sus condiciones específicas. (consulte la Tabla 2).
	pH fuera del rango recomendado.	El cloro no actúa tan bien como el desinfectante si el pH no está dentro del rango correcto. Esto puede provocar una demanda mayor de cloro. El rango ideal de pH es de entre 7,4 y 7,6 (use ácido muriático para disminuir el pH y carbonato sódico para elevar el pH).
	Horas de operación de la unidad insuficientes.	Incremente el tiempo de funcionamiento del sistema por día.
	El porcentaje de producción de cloro se estableció en un valor demasiado bajo.	Incremente la producción de cloro presionando el botón Output (vea la sección 5.4).
	Pérdida temporal de cloro debida a una carga orgánica pesada: lluvia, hojas, fertilizante o muchos bañistas. Las mascotas usan la piscina.	Ajuste la producción de cloro al 100 % y configure la bomba y la celda para que funcionen durante 24 horas. Después de 24 horas, vuelva a revisar el nivel de cloro. Si aún es demasiado bajo, haga un tratamiento de súpercloración con una fuente alternativa para lograr la cloración al punto de ruptura (BPC). El distribuidor de piscinas local puede ayudar con esto si le lleva una muestra del agua.
	Nivel bajo de sal (menos de 3000 ppm) en el agua de la piscina.	Use tiras de prueba de salinidad, un medidor de TDS/salinidad u otro método confiable para probar la salinidad del agua de la piscina. Una vez que se establezca la salinidad existente, use la tabla 1 para determinar la cantidad de sal que se debe agregar a fin de alcanzar el nivel deseado. Mantenga un nivel de salinidad de 3000 ppm.
	Alto nivel de nitratos.	Contacte a un profesional de piscinas.
	Metales presentes en el agua de la piscina.	Contacte a un profesional de piscinas.

Problema	Causa posible	Acción correctiva
	Agua de piscina nueva. No se aplicó un tratamiento de choque apropiado en el momento del arranque.	Aplique un tratamiento de súpercloración en la piscina.
	Celda obstruida o sucia.	Retire la celda para inspeccionarla y límpiela si es necesario (vea la sección 6.3).
<b>Nivel de cloro demasiado alto (superior a 7,0 ppm).</b>	El porcentaje de producción de cloro se estableció en un valor demasiado alto.	Reduzca la producción de cloro presionando el botón Output (vea la sección 5.4).
	El paquete de energía y la celda estuvieron encendidos demasiado tiempo.	Si la producción de cloro se establece en el ajuste más bajo y proporciona niveles de cloro excesivos de manera consistente, reduzca el tiempo de funcionamiento todo lo que sea necesario.
<b>La pantalla LCD no muestra nada (pantalla en blanco).</b>	No hay alimentación eléctrica hacia la unidad.	Revise la conexión con el temporizador de la bomba (vea la sección 3.5). Verifique si se disparó la protección de GFCI.
<b>La pantalla indica “No Flow”. Esto se debe a un caudal de agua insuficiente a través de la celda.</b>	Esto se debe a un caudal de agua insuficiente a través de la celda. <b>NOTA</b> Cuando el indicador de flujo esté encendido, la producción de cloro se desactivará.	Revise y limpie la bomba y las canastas del succionador.
	Filtro sucio.	Limpie el filtro.
	Mala conexión entre la celda y el paquete de energía.	Verifique si la conexión con el paquete de energía es segura.
	Válvulas cerradas.	Revise y corrija todas las alineaciones de las válvulas.
	La bomba no suministra un caudal de agua suficiente.	Revise que la bomba funcione correctamente. Asegúrese de que la bomba tenga el tamaño apropiado para el caudal requerido.
<b>La pantalla indica “Lo Tmp/ Lo Salt”.</b>	El nivel de sal está muy por debajo de 2500 ppm según la temperatura del agua.	Mantenga un nivel de salinidad de 3000 a 3500 ppm (consulte la sección 4.6 o contacte al profesional de piscinas de su localidad).
	Concentración de calcio en la celda. <b>NOTA</b> Las lecturas de salinidad se toman después de 5 minutos y a intervalos regulares de 5 minutos. La advertencia de sal se activará cuando el nivel de sal disminuya por debajo de 2500 ppm y permanecerá encendida hasta que el nivel de sal aumente a 3000 ppm o un poco más.	Limpie la celda.
	Expiró la vida útil de la celda.	Reemplace la celda.

Problema	Causa posible	Acción correctiva
	Una combinación de temperatura baja del agua (de 2 °C a 18 °C/35 °F a 65 °F) y niveles bajos de sal (1500 a 2000 ppm).	Revise el nivel de sal en el agua de la piscina. Si el nivel está entre 3000 a 3500 ppm, no hay que realizar ninguna acción. Si los niveles de sal son menores de 2500 ppm, eleve el nivel de salinidad a entre 3000 y 3500 ppm (vea la sección 4.6).  <b>NOTA</b> Los niveles de sal superiores a 4500 ppm pueden provocar daños por corrosión.
<b>Nivel de sal demasiado bajo.</b>	No se agregó suficiente sal a la piscina.	Agregue sal a la piscina hasta que la salinidad vuelva a ser de 3000 ppm (vea la sección 4.6).
	Pérdida en la piscina.	Repare la piscina.
<b>Nivel de sal demasiado alto.</b>	Se agregó demasiada sal a la piscina.  Hay residuos de metal atrapados entre las placas o las placas de la celda pueden estar en contacto.	Verifique los niveles de sal mediante una prueba. Use el método más confiable disponible; por ejemplo, lleve una muestra al distribuidor de piscinas antes de realizar una acción de dilución. Haga un retrolavado o drene parcialmente la piscina y diluya con agua limpia hasta que la salinidad regrese a un valor de entre 3000 y 3500 ppm.  Elimine los residuos atrapados entre las placas usando una manguera de jardín con una presión moderada. Si las placas están sueltas y hacen contacto entre sí, reemplace la celda.
<b>Fuerte olor a cloro.</b>	Presencia excesiva de cloraminas (cloro combinado).  El cloro es un oxidante, es decir, que el residuo orgánico se desprende del agua hacia el aire. Los olores fuertes son parte de este proceso. Si estos olores persisten por más de 12 horas, lleve una muestra de agua al distribuidor de piscinas local.	Aplique un tratamiento de choque manual en la piscina (vea la sección 4.3)
<b>Piscina con agua turbia y paredes viscosas.</b>	Crecimiento combinado de algas y bacterias.	Cepille las paredes afectadas y luego aplique un tratamiento de choque manual en la piscina (vea la sección 4.3).
<b>Irritación de ojos o piel.</b>	Equilibrio de agua inadecuado.	Equilibre el agua según los niveles recomendados en la sección 4.4.
	Altos niveles de cloramina.	Eleve la tasa de producción al 100 % y haga funcionar la bomba durante 24 horas. <b>NO NADE DURANTE ESTE PROCESO.</b>



Problema	Causa posible	Acción correctiva
<b>Formación de sarro en los equipamientos para piscinas.</b>	Alto nivel de dureza cálcica.	Diluya el agua de la piscina con agua limpia. Consulte al profesional de piscinas sobre el uso de un agente inhibidor.
	Un pH incorrecto provoca que los minerales se salgan de la solución.	Ajuste la alcalinidad total entre 80 y 120 ppm (EE. UU.) o 100 y 120 ppm (Canadá). Después ajuste el pH a un valor dentro del rango de 7,4 a 7,6 (vea la sección 4.4).
<b>NOTA</b> Para limpiar el depósito (de sarro) en la celda, vea la sección 6.3.		

## Sección 8. Lecturas de la pantalla

### 8.1 Razones y descripciones de la pantalla

Lecturas de la pantalla	Razón	Descripción
EN	Idioma de inicio	Es el acrónimo que debe aparecer durante la pantalla de inicio de 3 segundos.
English	Idioma	Idioma seleccionado/disponible para el usuario. La producción se desactiva (OFF) mientras se realiza la selección.
Standby	En espera	Cuando el sistema está listo y a la espera del siguiente ciclo de cloración válido sin errores. La producción está desactivada (OFF).
Standby ‡	Conectado al sistema de automatización Jandy	Cuando el sistema está conectado a un sistema de automatización Jandy mediante un cable de comunicación RS485 y a la espera del siguiente ciclo de cloración válido sin errores. La producción está desactivada (OFF).
Standby #	Conectado a la bomba de velocidad variable Jandy (con controlador)	Cuando el sistema está conectado a una bomba de velocidad variable Jandy (con controlador) a través del cable de comunicación RS485 y espera el próximo ciclo de cloración válido sin ningún error. La producción está desactivada (OFF).
Chlorinating	Cloración	Cuando el sistema funciona dentro de un ciclo de cloración válido sin errores. La producción está activada (ON).
Cleaning	La polaridad se está invirtiendo	Cuando el sistema funciona dentro de un ciclo de cloración válido y el temporizador del ciclo de trabajo expiró. La producción está desactivada (OFF).
Lo Temp/Lo Salt	Baja conductividad del agua	Cuando el sistema detecta una conductividad baja del agua, podría deberse a que el agua está fría, hay bajos niveles de sal o una combinación de estas dos razones. Revise el nivel de sal. La producción está activada (ON).



Lecturas de la pantalla	Razón	Descripción
No Flow	Sin flujo o con flujo bajo	Cuando el sistema detecta ausencia de flujo mientras funciona dentro de un ciclo de cloración válido. La producción está desactivada (OFF).
Check Cell	Sobrecarga de la celda	Cuando el sistema funciona dentro de un período de cloración válida y detecta un cortocircuito o la sobrecarga de la celda. Diseñado para advertir al usuario o a quien realiza el servicio. La producción está desactivada (OFF).
Check Cell	Circuito abierto de la celda	Cuando el sistema funciona dentro de un período de cloración válida y detecta un circuito abierto en la celda o una desconexión. Diseñado para advertir al usuario o a quien realiza el servicio. La producción está desactivada, pero se realiza un reintento cada 30 segundos.
Over Temp	Controlador de sobrecalentamiento	<p>El controlador detecta la temperatura interna y puede reducir la energía de producción como característica de autoprotección.</p> <p>A 70 °C (158 °F) (en el interior) la energía de producción para la celda se reduce al 50 % (no aparece ningún mensaje).</p> <p>A 80 °C (176 °F) (en el interior) la energía de producción para la celda se reduce al 0 % (OFF) y aparece este mensaje de error por exceso de temperatura. La producción está desactivada (OFF).</p> <p>Diseñado para advertir del sobrecalentamiento al usuario o a quien realiza el servicio.</p> <p>Confirme que este mensaje de advertencia desaparece automáticamente cuando la temperatura interna disminuye por debajo de los 80 °C (176 °F).</p>

# NOTAS

**Zodiac Pool Systems LLC**

2882 Whiptail Loop # 100, Carlsbad, CA 92010

**Zodiac Pool Systems Canada, Inc.**

2-3365 Mainway, Burlington, ON L7M 1A6 Canada

USA | Jandy.com | 1.800.822.7933

Canada | Jandy.ca | 1.888.647.4004

*©2020 Zodiac Pool Systems LLC Todos los derechos reservados. ZODIAC® es una marca registrada de Zodiac International, S.A.S.U., utilizada bajo licencia. Todas las demás marcas registradas son propiedad de sus respectivos propietarios.*

H0613500\_REVG



ETL LISTED SE  
RIGE POR LA  
NORMA DE  
UL 1081  
Con certificación de  
CAN/CSA C22.2  
n.º 218.1

