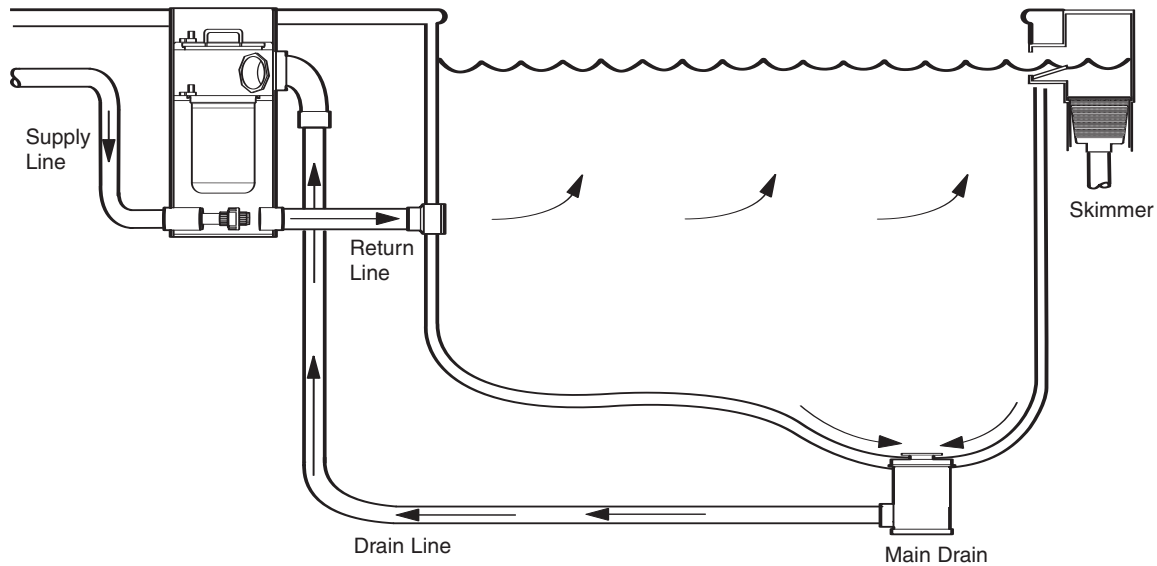


Polaris LeafTrapper Quick Reference Guide

Operation and Maintenance

The Polaris LeafTrapper™ main drain system uses the force of clean, filtered water to clear dirt and debris from swimming pools and spas. Using suction created by a high-pressure venturi nozzle inside the canister, the LeafTrapper pulls leaves and debris from the pool bottom through a plumbing line connected to the main drain. Clean water is returned to the pool through a specialized fitting that directs flow to improve pool skimmer efficiency.



Operation

Starting the System

The LeafTrapper system is activated whenever the pool pump is turned on.

- If a valve is installed in the LeafTrapper supply line, it should be fully open.
- If a pressure gauge is installed, verify that the pressure is approximately 20 psi. Adjust valve to maintain pressure if necessary.

Adjusting the Discharge Flow

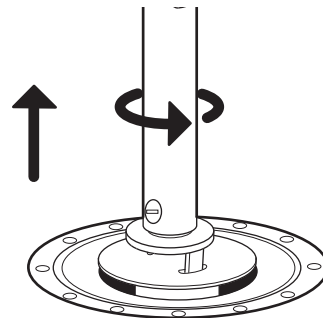
The louvered fitting on the LeafTrapper return line can be adjusted to direct water flow. To optimize cleaning, position the fitting to discharge water towards the skimmer.

Adjusting the Main Drain

Normal operating height of the main drain is flush with the pool floor. To adjust, use the Polaris Head Removal Tool (part# 3-17-8) attached to the end of a pool service pole.

Insert the tabs of the tool into the slots on the drain.

- Turn counterclockwise to raise the drain for larger debris like leaves.
- Turn clockwise to lower the drain.



Maintenance

To optimize system performance and maintain a clean pool, routinely clean the pool filter, pump basket and LeafTrapper filter element.

Turn off the pool pump to turn off LeafTrapper system before performing maintenance.

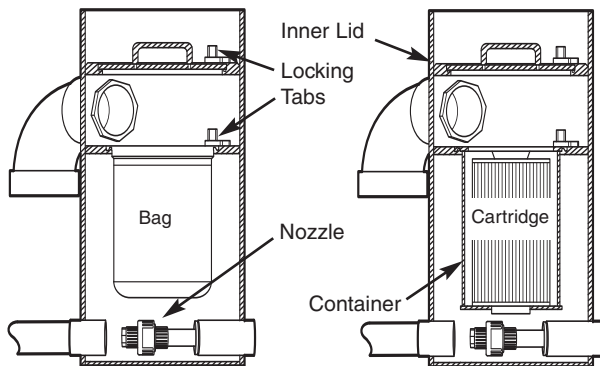
Cleaning the LeafTrapper Filter

1. Remove deck cover. Turn locking tabs to free and remove inner lid.
2. Turn locking tabs to free the filter element (bag or cartridge with container).
3. **For filter bags:** Remove bag, turn inside out and flush with water.

For cartridge filters: Lift out cartridge and cartridge container. Rinse out container and thoroughly clean cartridge.

To remove calcium deposits, soak cartridge in a water and muriatic acid solution (diluted 10 to 1) before flushing with water.

4. Reposition and secure filter element.
5. Turn on pool pump to activate LeafTrapper. The water inside the canister will automatically drain down into the filter. Replace the inner lid and deck cover.



Cleaning the Nozzle

1. Remove deck cover, inner lid and filter element.
2. Turn union nozzle clockwise to remove. Check nozzle for debris and clean as necessary.
3. With nozzle off, turn on pool pump and flush nozzle line for thirty (30) seconds.
4. Reinstall nozzle, filter element, lid and cover.

Removing Stagnant Water from Above the Inner Lid

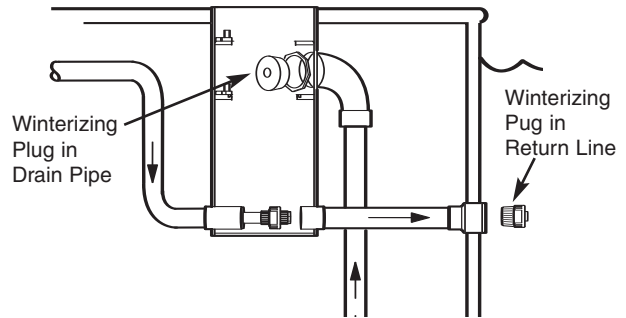
If water accumulates above the inner lid, remove lid and turn on system to drain water into the filter. Reinstall the lid. **Water must be kept below inner lid in areas prone to freezing.**

Winterizing

To avoid freeze damage in cooler climates, it is necessary to winterize the LeafTrapper system. **Polaris recommends that a qualified technician be used to winterize this equipment.**

To winterize:

1. Remove deck cover, inner lid and filter element (bag or cartridge with container).
2. Remove the return line wall fitting and replace it with a winterizing plug.
3. Clear all water from the canister. Use compressed air to blow out the drain line. Install a winterizing plug in the drain pipe fitting.



4. Close the valve at the pool equipment. Open the tee in the supply line and blow out the line.
5. Vacuum any remaining water from the canister. Put antifreeze (propylene glycol only) and a weighted object inside the canister to prevent rain water freeze damage. Put another weight on top of the inner lid and add more antifreeze.
6. Reinstall the deck cover and store the filter element in a dry protected location.

Warranty

LeafTrapper has a three (3) year structural warranty on all parts, with the exception of the filter element (bag/cartridge) which is covered for one (1) year.

This warranty is limited to the original owner and covers replacement parts only. Labor, incidental or consequential replacement costs are excluded.



2620 Commerce Way, Vista, CA 92081-8438 • 760-599-9600 • 1-800-822-7933 • www.polarispool.com