

JXi™ HEATER
POOL & SPA HEATER



Jandy®

An Ultra-Compact and Energy-Efficient Gas Pool Heater

**NEW! ASME Certified
Models Now Available**



JXi™
POOL & SPA HEATER

THE TOTAL PACKAGE

The JXi™ heater sets the standard in pool and spa heating technology with its ultra-compact size, lightweight design, and energy-efficiency options that save on electrical costs. Providing extreme installation flexibility, this high-efficiency, low-NOx heater is a top choice for pool professionals and pool owners everywhere and is available in both natural and propane gas models.

ENERGY EFFICIENT

84% thermal efficiency rating and **low-NOx** design surpasses strict DOE Energy Efficiency requirement.† Select JXi with VersaFlo™ or add the optional VersaFlo Accessory Kit to reduce energy costs even more.



FASTEST INSTALLATION

Pro-driven features for the fastest, most customer-friendly installation include:

Best Retrofit Option

Plumbing flexibility for quick Mastertemp® and Max-E-Therm® replacement that requires no plumbing adjustments.

Heater Shown with
Optional VersaFlo
Integrated Bypass

*Not available with ASME models



Flexible Installation

Top can be easily removed for increased accessibility and rotated 180 degrees so you never need to rotate headers. Also includes a flip up electrical panel for convenient setup and service.

Major
competitor
model*



Ultra-Compact Lightweight Design

Easy to store, transport, and install, JXi™ easily fits on a 2' x 2' pad and is 38% lighter with a 28% smaller footprint.

*Compared to major competitor models

†84% Thermal Efficiency applies to 260K and 400K BTU Models with Copper Heat Exchangers, 200K BTU and all models with Cupronickel heat exchangers are 83%, see back page for complete model listing.

Versa Plumb®-Ready

Installation in the Versa Plumb system* reduces plumbing costs and increases energy efficiency, all using the smallest footprint available.

*Sweep elbow included in all JXi models



ASME Certified Models Now Available

JXi™ models are available with robust heat exchanger tubes and corrosion resistant bronze headers to meet the high stresses of commercial installations.

*Not available with VersaFlo Integrated Bypass technology



SAVE EVEN MORE WITH OPTIONAL VERSAFLO™ INTEGRATED BYPASS*

*VersaFlo not available on ASME certified models.

Here's How:

- » The heater is typically only used 3.5% of average annual pump runtime, the other 96.5% of the time the heat exchanger can be bypassed.
- » JXi™ with VersaFlo™ activates the built-in flow bypass valve based on call for heat to avoid running water through the heat exchanger when water does not need to be heated.
- » Variable-speed pumps can be run at lower speeds, requiring considerably less electricity, thereby providing for significantly reduced electricity costs.**

VersaFlo Integrated Bypass is available on select models or can be easily added to any JXi heater in the field.***

Versus similar system without VersaFlo. *See JXIVFKIT installation manual for more details.



5-YEAR HEAT EXCHANGER WARRANTY

JXi heaters with VersaFlo factory installed receive an industry leading 5-Year standard warranty on the heat exchanger.

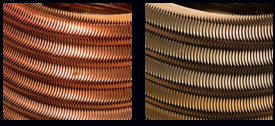


Bypass Mode



Heat Mode

ADDITIONAL FEATURES



Weld-free combustion chamber for optimal corrosion resistance, models available with copper or cupronickel heat exchangers.



Venturi-driven air and gas mix for enhanced performance.



Reliable, balanced flow and temperature control with thermal regulator valve.

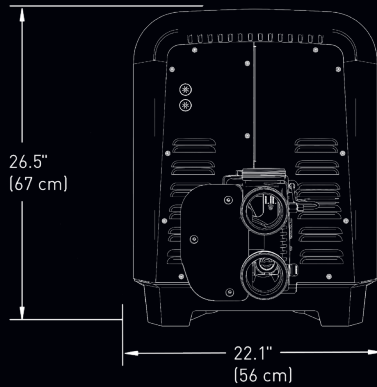


Differentiated limit switches meet applicable product safety standards.

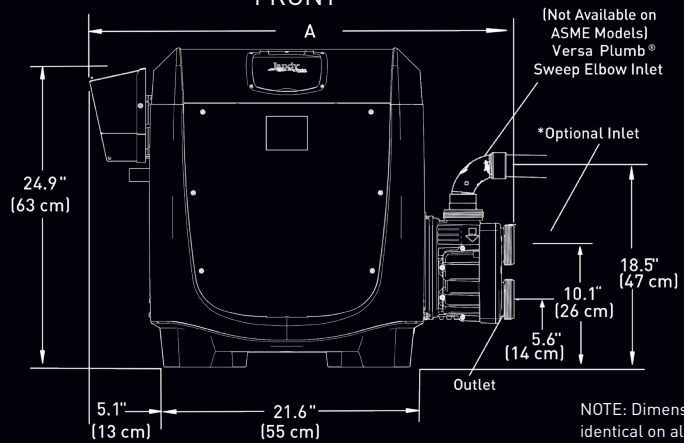


Corrosion-resistant temperature sensors for reliable operation.

INLET SIDE



FRONT



AVAILABLE IN THE FOLLOWING MODELS

Model #	Firing Rate	Gas Type	Heat Exchanger	Thermal Efficiency	Dim A	Weight	Vent Diameter*	Minimum GPM	Maximum GPM
JXi200N	200K BTU	Natural Gas	Copper	83%	34.5	117 lbs.	6" (15 cm)	30	100
JXi260N	260K BTU	Natural Gas	Copper	84%	34.5	120 lbs.	7" (18 cm)	30	100
JXi400N	399K BTU	Natural Gas	Copper	84%	34.5	126 lbs.	8" (20 cm)	30	100
JXi400NN	399K BTU	Natural Gas	Cupronickel	83%	34.5	126 lbs.	8" (20 cm)	30	100
JXi400NK w/VersaFlo	400K BTU	Natural Gas	Copper	84%	34.5	126 lbs.	8" (20 cm)	30	100
JXi200P	200K BTU	Propane	Copper	83%	34.5	117 lbs.	6" (15 cm)	30	100
JXi260P	260K BTU	Propane	Copper	84%	34.5	120 lbs.	7" (18 cm)	30	100
JXi400P	399K BTU	Propane	Copper	84%	34.5	126 lbs.	8" (20 cm)	30	100
JXi400PN	399K BTU	Propane	Cupronickel	83%	34.5	126 lbs.	8" (20 cm)	30	100
JXiVFKIT	JXi VersaFlo Accessory Kit (Not compatible with ASME certified heaters)								

ASME Certified JXi Heaters (Not available with VersaFlo Integrated Bypass technology)

Model #	Firing Rate	Gas Type	Heat Exchanger	Thermal Efficiency	Dim A	Weight	Vent Diameter*	Minimum GPM	Maximum GPM
JXi260NC	260K BTU	Natural Gas	Copper	84%	31.6	163 lbs.	7" (18 cm)	30	100
JXi260PC	260K BTU	Propane	Copper	84%	31.6	163 lbs.	7" (18 cm)	30	100
JXi400NC	400K BTU	Natural Gas	Copper	84%	31.6	168 lbs.	8" (20 cm)	30	100
JXi400PC	400K BTU	Propane	Copper	84%	31.6	168 lbs.	8" (20 cm)	30	100

*Minimum vent pipe size for Category I installations. 2 units per pallet. Trade Series Exclusive product; not available for Internet sale.

Jandy.com | 1.800.822.7933

