

Installation Instructions for the Hi-E2 Return Header Replacement Kit

FOR YOUR SAFETY: This product must be installed and serviced by a professional service technician, qualified in pool/spa heater installation and maintenance. Improper installation and/or operation could create carbon monoxide gas in flue gases which could cause serious injury, property damage, or death. Improper installation and/or operation will void the warranty.

These instructions are to be used with the following Jandy Replacement Kits:

R0304000 - Hi-E2 Return Header Replacement Kit, Model EHE 220 & 350

⚠WARNING

If the information in these instructions is not followed exactly, a fire or explosion may result causing property damage, personal injury or death.

This document gives instructions for replacing the return header in all Hi-E2 Model EHE pool/spa heaters. The instructions must be followed exactly. Read through the instructions completely before starting the procedure.

A. Removal the Return Header

1. Remove the front panel of the heater.
2. Shut the heater down by following the instructions under the heading of "To Turn Off Gas To Appliance" on the label on the inside of the front panel. Be sure the pump is off and will remain off during this procedure.

3. Remove the two right-side cover panels (inlet/outlet header side) (see Fig. 1).
4. Remove the drain plug and let the system drain (see Fig. 1).
5. After the system drains, put in a new drain plug (provided in kit) and tighten. Reassemble the right-side cover panels.
6. Remove the left cover panel to expose the return header (see Fig. 2).
7. Remove the eight 1/4-20 x 1-1/4" bolts that hold the return header onto the heat exchanger (see Fig. 3).
8. Remove the bolt that holds the heat exchanger support bracket to the heater frame.

⚠CAUTION

If the heater is below the surface level of the water in the pool, be sure to close the complete shut-off valves leading to and coming from the pool.

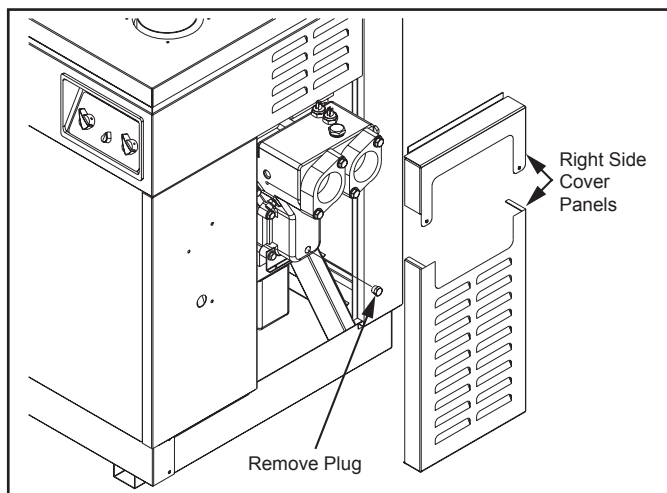


Figure 1. Drain system

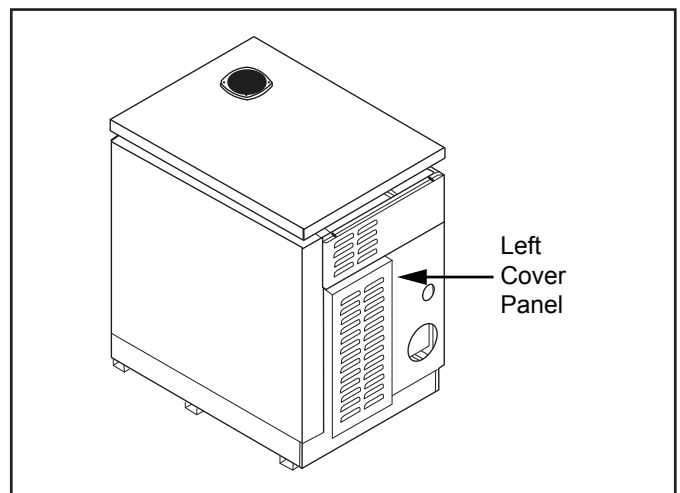


Figure 2. Remove Cover Panel

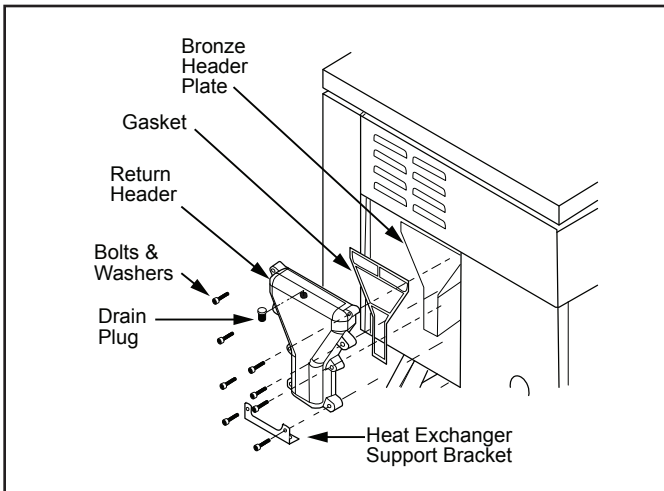


Figure 3. Remove Return Header

9. Carefully remove the return header and the gasket from the header plate.
10. Clean all surfaces of the header plate. These surfaces must be clean to achieve a proper seal.

B. Replace the Return Header

1. Make sure the header plate surface is dry. Place the new gasket on the header plate.
2. Place the new return header over the gasket. Line up the holes and insert the top six 1/4-20 x 1-1/4" bolts with washers. Before inserting the bottom two bolts, place the heat exchanger support bracket over the holes, then insert the two remaining bolts and washers. Tighten the bolts to finger tight.
3. Using a wrench, alternate from side to side and top to bottom to tighten the bolts.
4. Install the bolt through the heat exchanger support bracket, into the frame of the heater, and tighten.
5. Install a new drain plug (provided in kit) into the top of the return header (see Fig. 3).

CAUTION

Open any complete shut-off valves that were closed to perform this operation.

6. Start the pump to fill the system and check for leaks.
7. Replace the left cover panel.
8. Read the warnings under the heading of "For Your Safety Read Before Operating" on the label on the inside of the front panel.
9. Ignite the heater by following the instructions under the heading of "Operating Instructions" on the label on the inside of the front panel.
10. Replace the front panel. The front panel must be in place for the heater to operate properly and safely.

Parts List

Description	Quantity
Return Header	1
Bolts, 1/4-20 x 1-1/4"	8
Washer, 1/4"	8
Drain Plug	2
Header Gasket	1
Heat Exchanger Support Bracket (L)	1
Bolt, Support Bracket	1
Instructions	1

Jandy®, Lite®, LX® and HI-E2® are registered trademarks of Jandy Pool Products, Inc.
All other brand names, products names or trademarks belong to their respective holders.



Jandy Pool Products, Inc.
6000 Condor Drive, Moorpark, CA, USA 93021 • 707.776.8200 FAX 707.763.7785
1758 Corporate Circle, Petaluma, CA, USA 94954 • 707.776.8200 FAX 707.763.7785